

# Labelinformationen Polytron P6100 EC WL

**Polytron 6100 EC WL**  
Type: ETR 0601

**Dräger**

Part No : 3714791  
Serial No :



Ex ia I Ma  
Ex ia IIC T4 Ga  
Ex ia IIIC T135°C Da  
-40 °C ≤ Ta ≤ +65 °C  
IECEX KIWA 19.0020X  
KIWA 19 ATEX 0036X

IP66  
IP67



Class I, Div. 1, Groups A,B,C,D T4  
Class II, Div. 1, Groups E,F,G T135°C  
Class I, Zone 0, AEx ia IIC T4 Ga  
Class II, Zone 20, AEx ia IIIC T135°C Da

WARNING: Use only Dräger LBT 03\*\* battery box.  
AVERTISSEMENT: Utiliser uniquement le boîtier de batterie Dräger LBT 03\*\*.

WARNING: Do not open when an explosive dust atmosphere is present.

AVERTISSEMENT: Ne pas ouvrir en présence d'atmosphère poussière explosive.

WARNING: Read manual before operating.

AVERTISSEMENT: Lire le manuel avant utilisation.

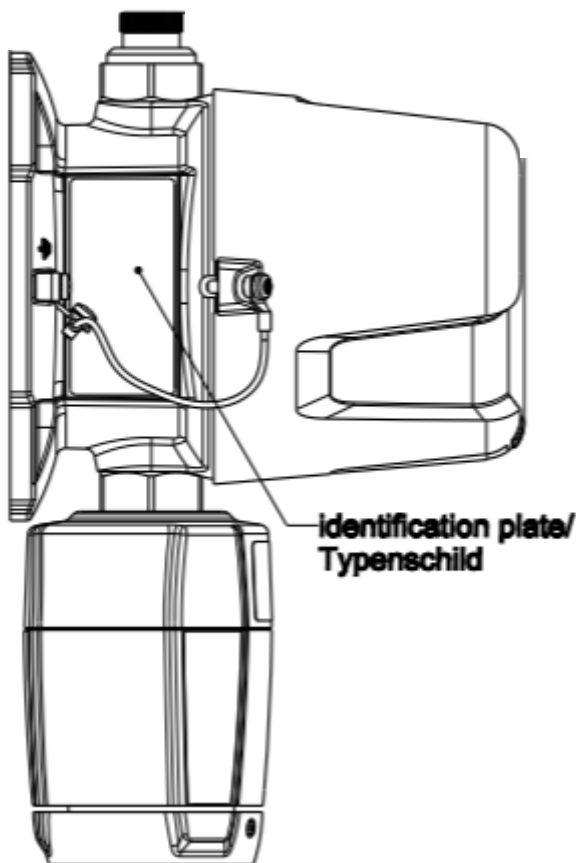
Entity Parameters (only w/o installed battery):

Ui: 30 V, Pi: 1,2 W, Ci: 20 nF, Li: 0 mH

FCC ID: X6O-RC003, IC: 5895F-RC003, RC003

Dräger Safety, 23560 Lübeck, Germany

**Made in Germany**



# Labelinformation Polytron Repeater WL HART

**Polytron Repeater WirelessHART**  
Type: ICU 0101

**Dräger**

Part No : 3714789

Serial No :

**CE** **Ex** **IM1**  
**0158 II 1GD**

IP66  
IP67

Ex ia I Ma  
Ex ia IIC T4 Ga  
Ex ia IIIC T135°C Da  
-40 °C ≤ Ta ≤ +65 °C  
IECEX KIWA 19.0020X  
KIWA 19 ATEX 0036X



Class I, Div. 1, Groups A,B,C,D T4  
Class II, Div. 1, Groups E,F,G T135°C  
Class I, Zone 0, AEx ia IIC T4 Ga  
Class II, Zone 20, AEx ia IIIC T135°C Da

**WARNING:** Use only Dräger LBT 03\*\* battery box.  
**AVERTISSEMENT:** Utiliser uniquement le boîtier de batterie Dräger LBT 03\*\*.

**WARNING:** Do not open when an explosive dust atmosphere is present.

**AVERTISSEMENT:** Ne pas ouvrir en présence d'atmosphère poussière explosive.

**WARNING:** Read manual before operating.

**AVERTISSEMENT:** Lire le manuel avant utilisation.

Entity Parameters (only w/o installed battery):

Ui: 30 V, Pi: 1,2 W, Ci: 20 nF, Li: 0 mH

FCC ID: X6O-RC003, IC: 5895F-RC003, RC003

Dräger Safety, 23560 Lübeck, Germany

**Made in Germany**

