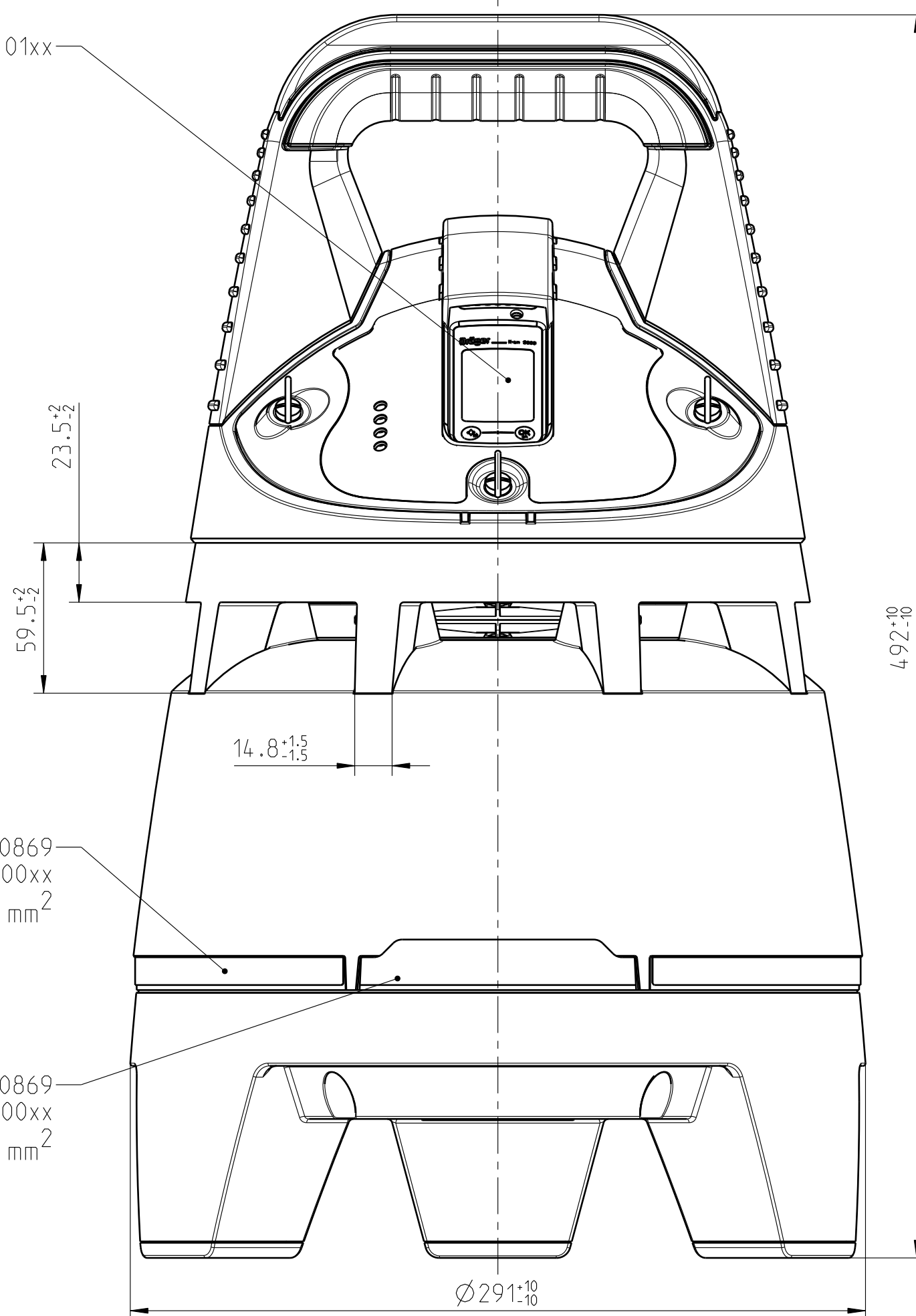
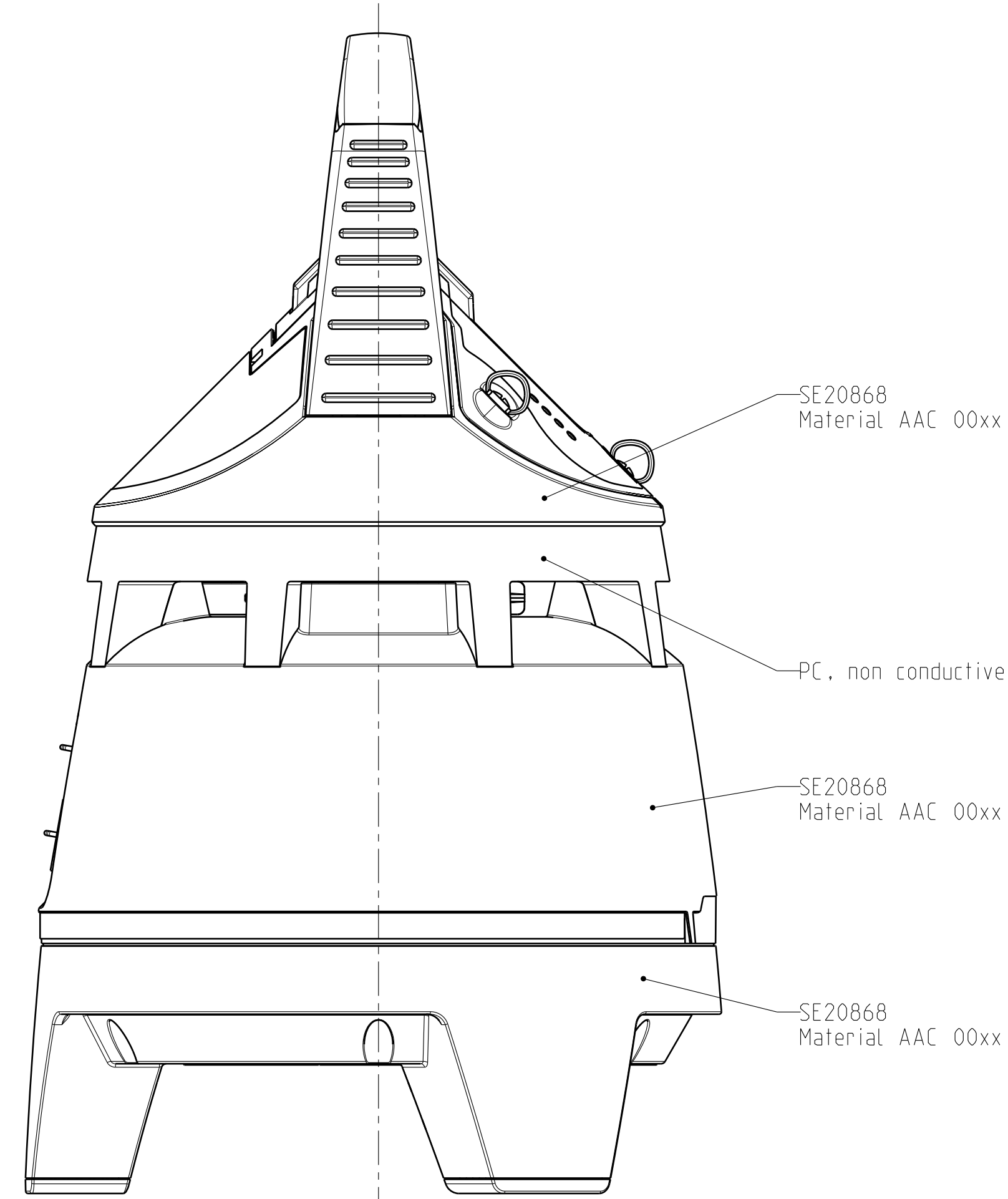


MQG 00xx or MQG 01xx



SE20869
Foil Material AAC 00xx
Surface < 9300 mm²

SE20869
Foil Material AAC 00xx
Surface < 2000 mm²



SE20868
Material AAC 00xx

PC, non conductive

SE20868
Material AAC 00xx

SE20868
Material AAC 00xx

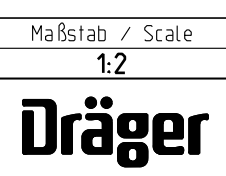
PROJEKTIONSMETHODE 1 NACH DIN ISO 5456
FIRST ANGLE PROJECTION ACCORDING TO ISO 5456

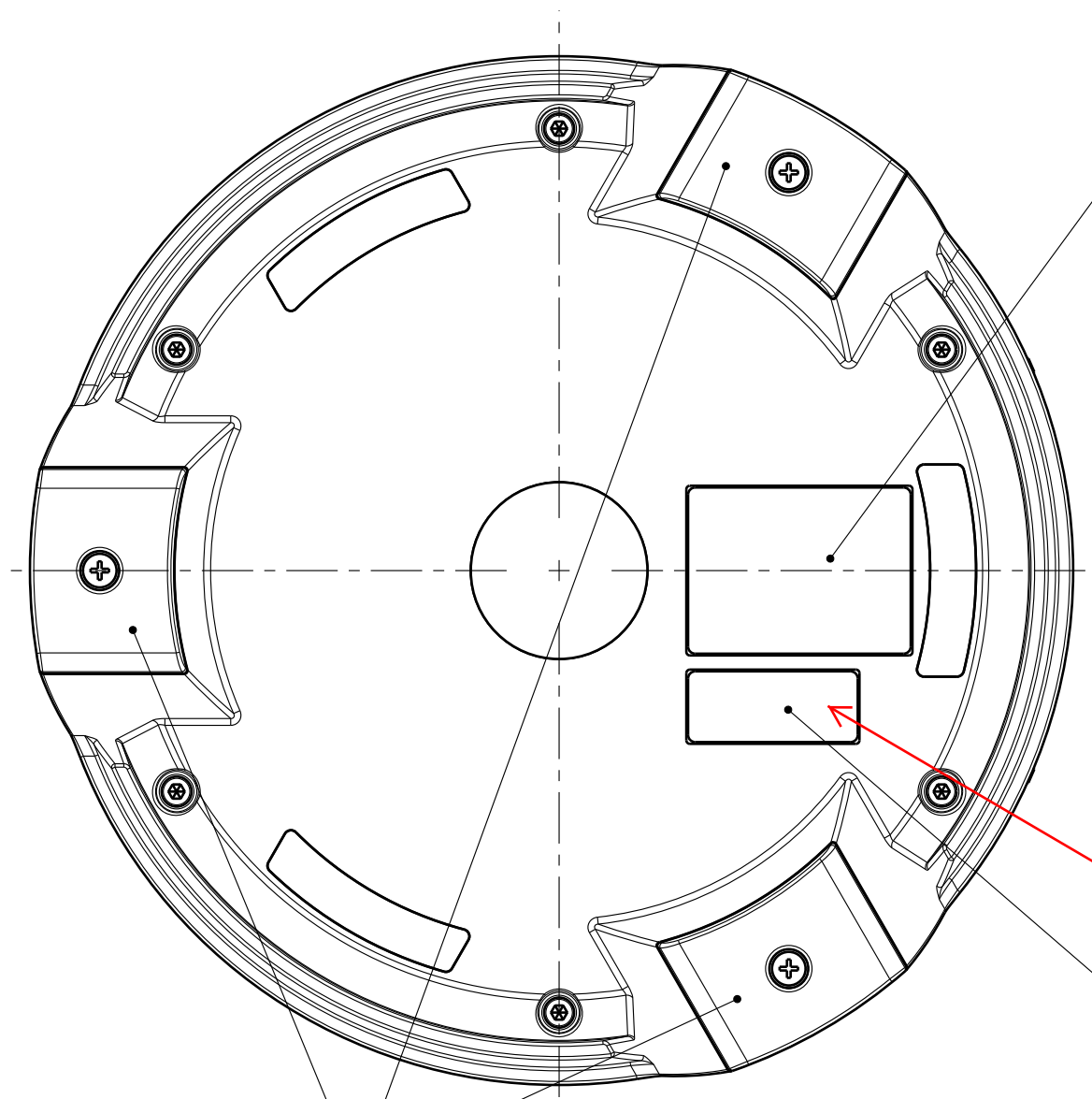
All conductive housing parts are in electrical connection by means of metallic screws or direct contact.

All parts are injection molded components.

Schedule Drawing
No modifications permitted without reference to the Approval authority!

Werkstoff / Material		Änderungstext / Modification Text	
--		Text modified New Part No. SE20878	
Allgemeintoleranzen / General Tolerance		--	
=EX=	=QA=	=QB=	=QC=
--	--	--	--
Fabri.-Nr. / Serial-No.		Reg./ Registration	Begr.-Zeit/ Age Monit.
--		Nein/No	Maßstab / Scale
1:2			
Bearbeitung / Created by	Datum / Date (dd.mm.yyyy)	Verantwortlich / Checked by	Datum / Date (dd.mm.yyyy)
Barten	22.02.2010	Sürig	22.02.2010
Benennung / Description		Abteilung / Department	DCC Nummer / DCC Number
AAC 00xx		st5430	//
AAC 00xx		Kommt vor / Amends	
		4 X	
Sachnummer / Part No.		Reifegrad / Status	
SE20772 - 03		Prep	
- ÄZ / Rev.			
Ersatz für/ Repl. for		SE20772-02	
Dokumententyp / Document Type	Pro/E A2	Seite / Page	1 von / of 9





TPE, surface resistance <math>< 10^9 \Omega</math> (3x)

SE20864
Label AAC 00xx
Foil, self adhesive
PVC
Surface <math>< 3000 \text{ mm}^2</math>
non conductive
Thickness $\leq 0,15 \text{ mm}$
(Foil + Adhesive Layer)

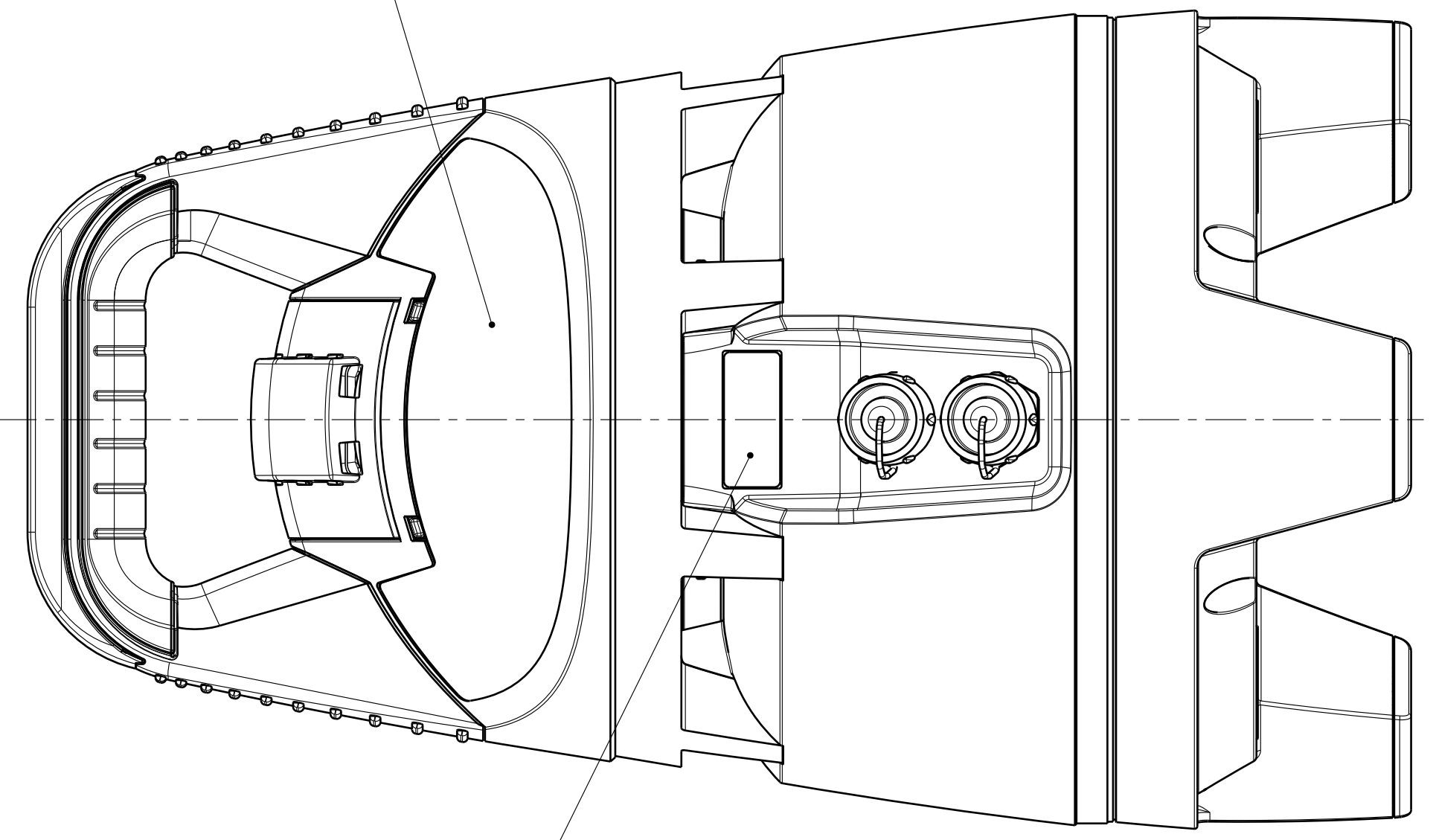
On Top
Protective Foil
Foil, self adhesive
PET
Surface <math>< 3000 \text{ mm}^2</math>
non conductive
Thickness $\leq 0,15 \text{ mm}$
(Foil + Adhesive Layer)

Funk label placed at the bottom side of the Dräger X-zone 5000 (AAC00xx)

Foil, self adhesive
PVC
Surface <math>< 1050 \text{ mm}^2</math>
non conductive
Thickness $\leq 0,15 \text{ mm}$
(Foil + Adhesive Layer)

On Top
Protective Foil
Foil, self adhesive
PET
Surface <math>< 1050 \text{ mm}^2</math>
non conductive
Thickness $\leq 0,15 \text{ mm}$
(Foil + Adhesive Layer)

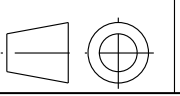
SE20878
Foil Material Typ 2 AAC 00xx
Surface <math>< 14700 \text{ mm}^2</math>



Foil, self adhesive
PVC
Surface <math>< 1050 \text{ mm}^2</math>
non conductive
Thickness $\leq 0,15 \text{ mm}$
(Foil + Adhesive Layer)

On Top
Protective Foil
Foil, self adhesive
PET
Surface <math>< 1050 \text{ mm}^2</math>
non conductive
Thickness $\leq 0,15 \text{ mm}$
(Foil + Adhesive Layer)

PROJEKTIONSMETHODE 1 NACH DIN ISO 5456
FIRST ANGLE PROJECTION ACCORDING TO ISO 5456



Schedule Drawing
No modifications permitted without
reference to the Approval authority!

Werkstoff / Material		Änderungstext / Modification Text	
--		Text modified New Part No. SE20878	
Allgemeintoleranzen / General Tolerance		--	
=EX=	=QA=	=QB=	=QC=
--	--	--	--
Fabr.-Nr. / Serial-No.		Reg./ Registration	Begr.-Zeit/Age Monit.
--		Nein/No	Maßstab / Scale
--		1:2	
Bearbeitung / Created by	Datum / Date (dd.mm.yyyy)	Verantwortlich / Checked by	DCC Nummer / DCC Number
Barten	22.02.2010	Sürig	//
Benennung / Description		Kommt vor / Amends	Reifegrad / Status
AAC 00xx		4 X	Prep
AAC 00xx		Sachnummer / Part No. - ÄZ / Rev.	
		SE20772 - 03	
Dokumententyp / Document Type	Pro/E A2	Seite / Page	2 von / of 9
Ersatz für/ Repl. for		SE20772-02	

Schutzmerkmal ISO 9001 beachten. Use of the document / contents is forbidden without expressed written Dräger Safety.