

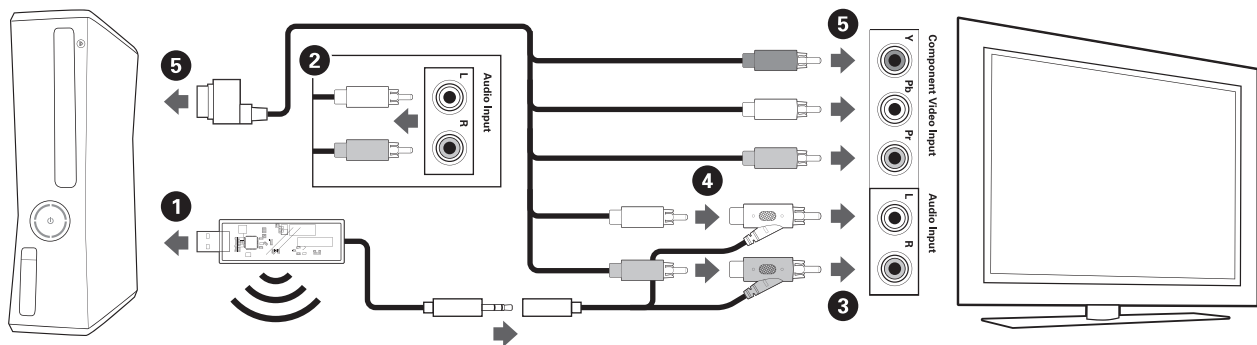
# AFTERGLOW® WIRELESS HEADSET

## SET UP: XBOX 360®

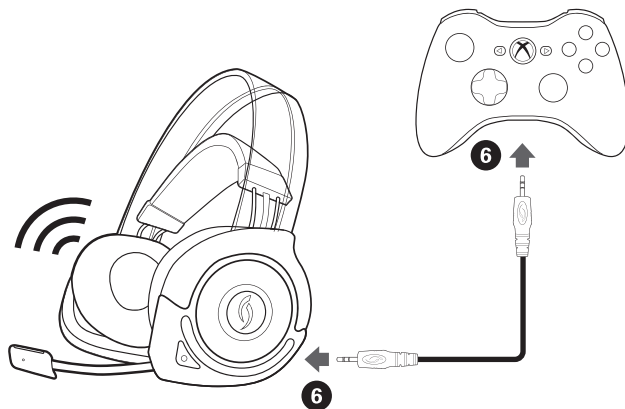
### CONNECTED WITH COMPONENT/COMPOSITE CABLE\*

\*Cable comes with the Xbox console.

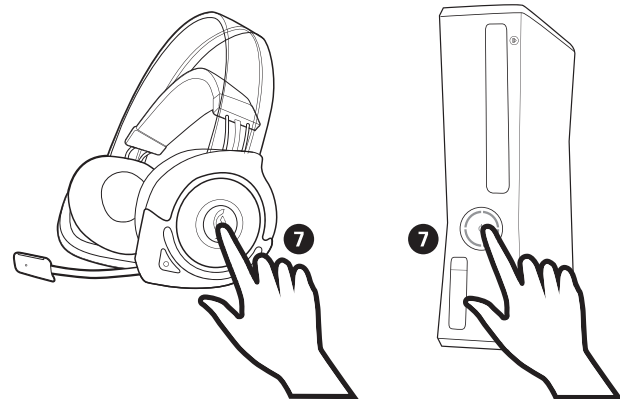
1. Plug the Afterglow® USB transmitter into one of the front USB ports of the Xbox 360® console.
2. Unplug the RCA cable (Red/White only) that runs from your console to the TV.
3. Plug the RCA cable that is attached to the Afterglow® USB transmitter (Red/White) into the TV.
4. Re-plug in the RCA cable from the console into the pass-through of the Afterglow® RCA cable that is now plugged into the TV.
5. Leave the Xbox 360® component/composite video plugs connected to the TV.



6. Plug one end of the Xbox 360® chat cable into the headset, plug the other end into the controller.



7. Turn the TV, console, and headset power ON.

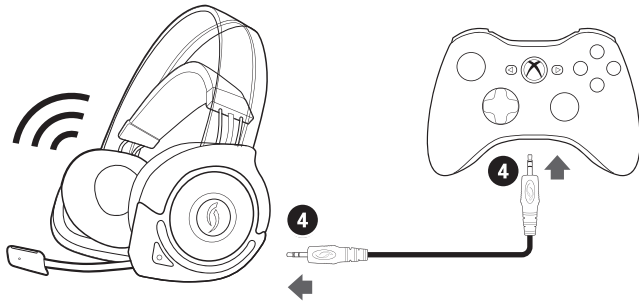


## SET UP: XBOX 360®

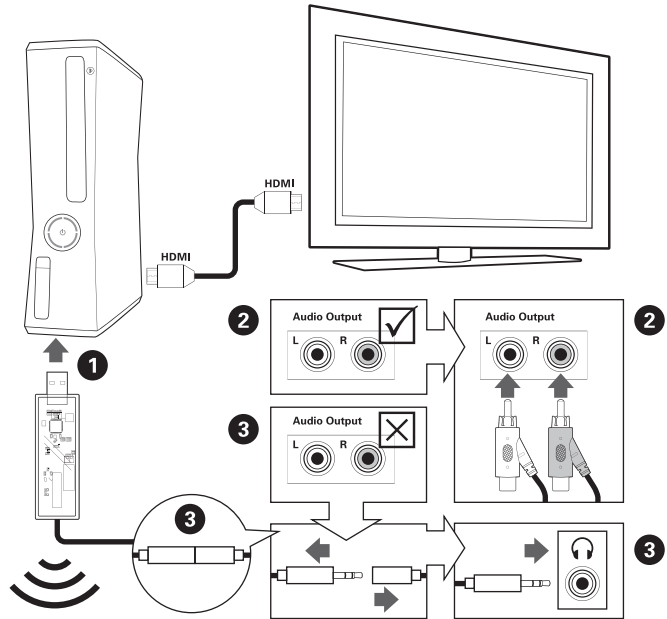
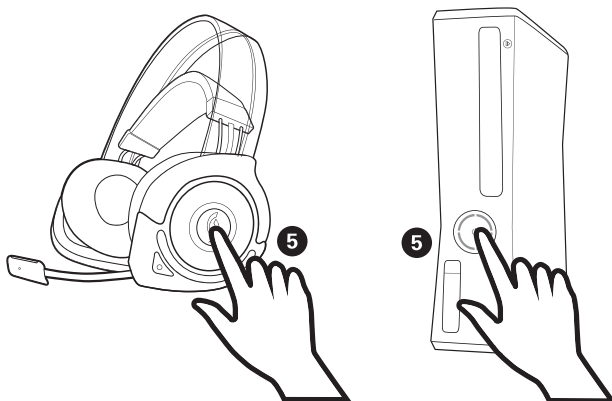
### CONNECTED WITH HDMI\*

\*HDMI cable not included.

1. Plug the Afterglow® USB transmitter into the front USB port of the Xbox 360® console
2. Plug the RCA (Red/White) ends of the transmitter's audio cable into the TV's Audio Out. Then skip to step 4.
3. If your TV does not have an RCA Audio Out: disconnect the RCA cable at its breakaway and expose the headphone jack. Plug the headphone jack of the USB transmitter into the TV's headphone input.
4. Plug one end of the Xbox 360® chat cable into the headset, plug the other end into the controller.



5. Leave your HDMI connection intact. Turn the TV, console, and headset power ON.



**IMPORTANT:** If your TV doesn't support audio out, you may require an Xbox 360® HDMI Audio Adapter.

Contact PDP Customer Service at **1-800-331-3844** or go to <http://www.afterglowgaming.com/360audioadapter>  
The cable and shipping (priority 2-day) is free.

6. Adjust the TV volume to a comfortable level first, then adjust the volume level on your headset.

