

AFTERGLOW®

ENGLISH

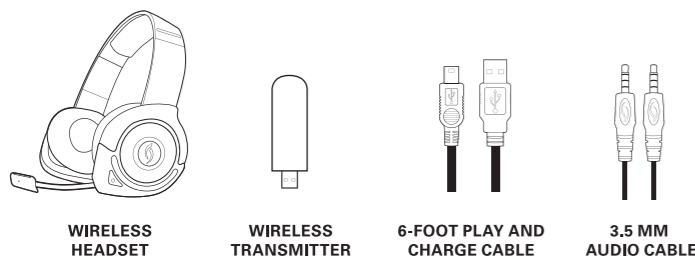


WIRELESS HEADSET

USER MANUAL

WHAT'S IN THE BOX

ENGLISH



WIRELESS HEADSET

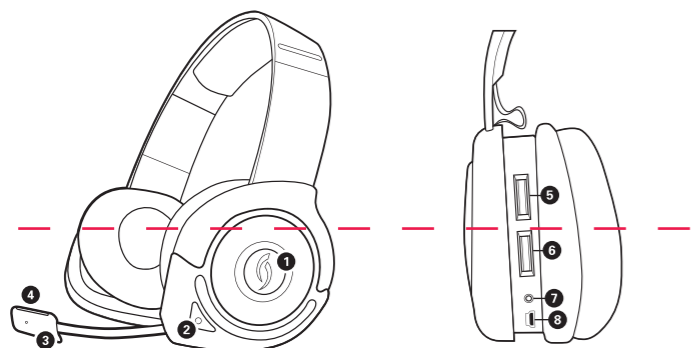
WIRELESS TRANSMITTER

6-FOOT PLAY AND CHARGE CABLE

3.5 MM AUDIO CABLE

HEADSET OVERVIEW

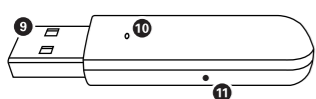
ENGLISH



- 1. POWER/MUTE BUTTON:** Press and hold to power on; repeat to power off. When ON, the button will function as a MUTE BUTTON. Press once to mute your microphone; press again to unmute.
- 2. MODE BUTTON:** Press to alternate between the two audio modes, Bass boost and Pure audio. To turn off the green ear cup LED lighting, press and hold the mode button for 5 seconds.
- 3. RETRACTABLE NOISE CANCELLING MICROPHONE**
- 4. MODE INDICATION LED:** Multi-color LED indicates when you are paired, which audio mode you are in, and when you are muted.

- 5. MASTER VOLUME:** Adjusts master volume level.
- 6. GAME/CHAT VOLUME BALANCE:** Adjusts the balance of incoming chat and game volume levels.
- 7. 3.5MM UNIVERSAL LINE-IN PORT:** Plug the grey 3.5mm auxiliary cable into this port and the other end into a sound source (mobile device, tablet). Microphone capabilities are supported.
- 8. MICRO USB CHARGING PORT:** Plug one end of your micro USB charging cable into this port and the other end into an active USB port to charge.

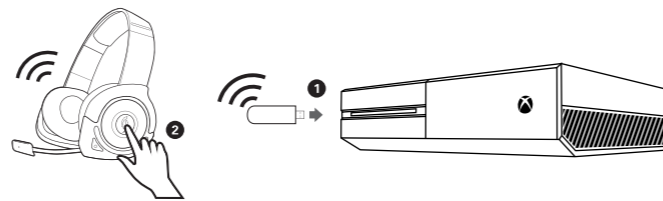
- 9. WIRELESS TRANSMITTER:** Plug this into your gaming console's active USB port.
- 10. STATUS LED:** A blinking LED means your headset is not paired or is out of range. A solid LED indicates the headset and transmitter are successfully paired. An LED that is off indicates that the Xbox One console has gone into standby or sleep mode.
- 11. PAIRING PIN-HOLE:** Your headset and transmitter will come pre-paired, but if they are ever disconnected you can re-pair them by pressing the small button inside the pin-hole. You will need a small paper clip in order to do this.



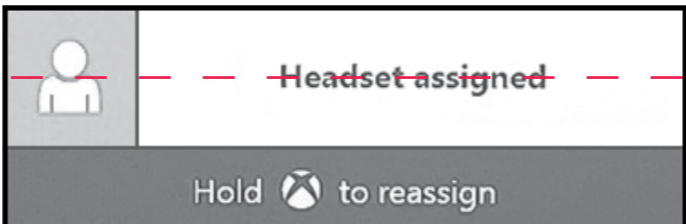
SET UP: XBOX ONE

ENGLISH

- Plug the Afterglow wireless transmitter into an active USB port on the Xbox One console. Your transmitter's LED light will flash, indicating that it is on and searching for your headset.
- Press and hold the large ON/OFF button on your headset to power on. The alternating LED colors on the microphone tip will indicate the headset is searching for your wireless transmitter. When the microphone tip and transmitter LED lights turn solid, your headset and transmitter are successfully paired.



- A successful connection between your headset and USB transmitter will also be indicated by a sound tone. If you do not immediately hear your game audio, you can adjust the GAME/CHAT volume balance on your headset.
- If you are already logged in with an account, when you plug the wireless Xbox One transmitter, you will see an icon on the screen indicating the headset has been assigned to that particular account.



AUDIO MODES

ENGLISH

Audio modes are indicated by the LED light at the tip of your Afterglow Headset's microphone.

BASS BOOST (RED LED): For those who prefer the extra kick on low end frequency, this mode adds the extra depth to your explosions and rumbles without sacrificing crystal clear audio.

PURE AUDIO (BLUE LED): Pure audio offers a well-balanced and wide ranging audio experience that enables you to hear the game exactly as the game developers intended with no extra enhancements.

BATTERY AND CHARGING

ENGLISH

POWER AND CHARGING:
Your Afterglow Headset is engineered to provide gamers up to 16 hours of battery life on a single charge. For uninterrupted gaming, you may charge your headset while in use with the included Play & Charge cable.

- LOW BATTERY:**
- Your Afterglow Headset will alert you with an audio tone when the battery life is low.
 - When your headset has about 10 minutes of power left, your headset's LED ear cup lights will shut off, but you will still be able to hear your game and chat audio.
 - For a full battery charge, your headset will need 2.5 hours to charge. You may continue using your headset while charging by connecting the Play & Charge cable to your headset and an active USB port.

- LED CHARGING INDICATION:**
- When charging, the ear cup lights will pulsate.
 - When fully charged, the ear cup lights will stop pulsating, and stay a solid green.

SET UP: MOBILE DEVICES

ENGLISH

- Take the grey 3.5mm auxiliary cable and plug one end into the Afterglow Headset and the other into the audio output in your mobile device. Microphone capability will be enabled.
 - Adjust the volume as desired on your mobile device.
 - To keep the headset lights on while you're using the headset in wired mode: Turn the headset on while unplugged from the transmitter, press and hold the mode button for 10 seconds until the microphone LED alternating lights turn off.
- * Once in mobile mode, you can change power on and off the ear cup lights by pressing and holding the mode button.

TROUBLESHOOTING

ENGLISH

- I CANNOT HEAR GAME AUDIO – MAKE SURE...**
- The wireless transmitter is connected to the USB port on your Xbox One system and the system is on.
 - Your headset is turned on.
 - Your headset and wireless transmitter are paired successfully. This is indicated by a solid blue light on both the wireless transmitter and the headset's microphone tip.
 - Your volume is turned up.
 - You've evenly balanced your game vs. chat audio on the headset.
 - Your headset is recognized by the Xbox One console. Check your settings if you do not receive a notification from the console indicating that it has been recognized.

- I CANNOT HEAR OTHERS – MAKE SURE...**
- Your volume dial is turned up.
 - Adjust Chat/Game balance dial until you can hear others clearly.

- OTHERS CANNOT HEAR ME – MAKE SURE...**
- Your headset is ON and paired with your wireless transmitter. This is indicated by a solid LED on microphone tip and wireless transmitter.
 - Your microphone is not muted. Click the large MUTE button on the left ear cup to mute and unmute yourself. **NOTE: When you mute your microphone, your microphone LED will quickly flash twice, then keep flashing once every minute.

- MY HEADSET AND TRANSMITTER ARE NOT PAIRED – MAKE SURE ...**
- Your headset is not in passive mode. To exit passive mode, restart the headset by holding down the mute button for 3 seconds to power off, and then repeat to power on again.
 - While plugged into a live USB port, you can re-pair the wireless transmitter by pressing the button inside the pin-hole on the side of the transmitter until the LED light begins flashing rapidly. While in OFF position, press and hold the POWER button of the headset for approximately 10 seconds until the microphone LED turns solid.
 - Your wireless transmitter and microphone LED should have a solid LED light. They are now paired.

AFTERGLOW®

FRANÇAIS

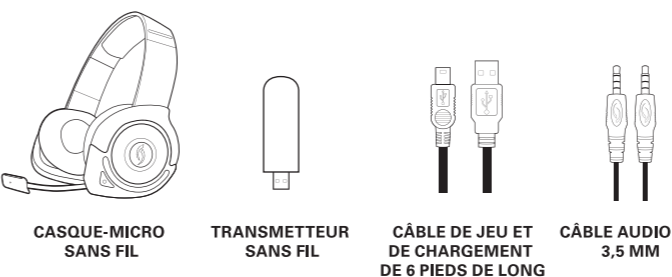


CASQUE-MICRO SANS FIL

MANUEL D'UTILISATION

NOMENCLATURE

FRANÇAIS



CASQUE-MICRO SANS FIL

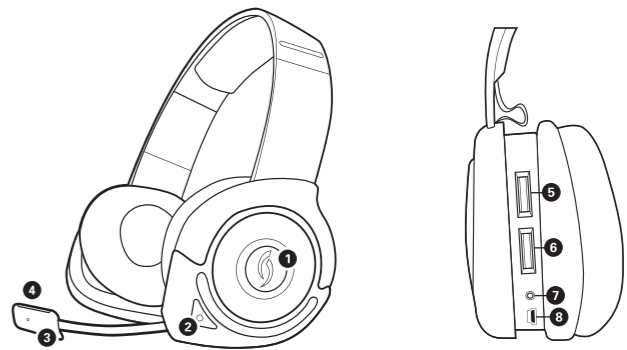
TRANSMETTEUR SANS FIL

CÂBLE DE JEU ET DE CHARGEMENT DE 6 PIEDS DE LONG

CÂBLE AUDIO DE 3,5 MM

PRÉSENTATION DU CASQUE-MICRO

FRANÇAIS



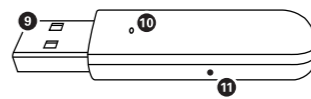
- 1. BOUTON MARCHÉ/SOURDINE:** Maintenez le bouton appuyé pour mettre sous tension; appuyez à nouveau pour mettre hors tension. Lorsqu'il est allumé, il fonctionne comme BOUTON DE MISE EN SOURDINE. Appuyez une fois pour mettre le microphone en sourdine; appuyez une nouvelle fois pour désactiver la sourdine.
- 2. BOUTON MODE:** Appuyez pour basculer entre les deux modes audio, l'amplification des basses et l'audio pur. Pour éteindre la DEL verte de la coque, appuyez et maintenez enfoncé le bouton mode pendant 5 secondes.
- 3. MICRO RÉTRACTABLE AVEC SUPPRESSION DE BRUIT**
- 4. DEL D'INDICATION DE MODE:** une DEL multicolore indique le jumelage, le mode audio et la mise en sourdine.

- 5. VOLUME PRINCIPAL:** Règle le niveau de volume principal.
- 6. RÉGLAGE DU VOLUME JEU/DISCUSSION:** Règle les niveaux de volume des jeux et des voix entrantes.
- 7. PORT ENTRÉE DE LIGNE UNIVERSEL DE 3,5 MM:** Branchez le câble auxiliaire gris de 3,5 mm sur ce port et l'autre fiche sur la source sonore (périphérique mobile, tablette). Les fonctionnalités du micro sont prises en charge.
- 8. PORT DE CHARGEMENT MICRO USB:** Afin de charger, branchez une fiche de votre câble de chargement micro USB sur ce port et l'autre fiche sur un port USB actif.

- 9. ÉMETTEUR SANS FIL:** Branchez ceci sur le port USB actif de votre console de jeu.

- 10. DEL D'ÉTAT:** Une DEL clignotante indique que votre casque n'est pas jumelé ou est hors de portée. Une DEL allumée en permanence indique que le casque-micro et l'émetteur sont correctement jumelés. Une DEL éteinte indique que la console Xbox One s'est mise en veille.

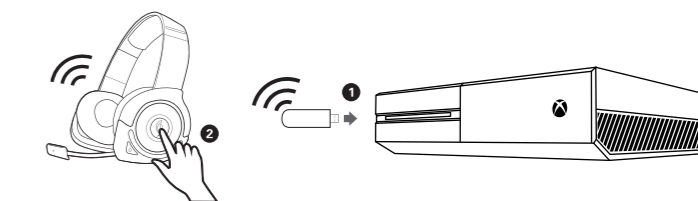
- 11. BOUTON DE JUMELAGE:** L'émetteur et votre casque-micro sont déjà jumelés à leur livraison, mais s'ils deviennent déconnectés, vous pouvez les jumeler en appuyant sur le petit bouton situé à l'intérieur de l'encoche. Vous aurez besoin d'un petit trombone pour effectuer cette action.



INSTALLATION: XBOX ONE

FRANÇAIS

- Branchez l'émetteur sans fil Afterglow sur un port USB actif de la console Xbox One. La DEL de votre émetteur clignotera pour indiquer qu'il est sous tension et à la recherche de votre casque-micro.
- Pour mettre sous tension, maintenez le gros bouton MARCHÉ/ARRÊT de votre casque-micro appuyé. Si les couleurs de la DEL alternent sur l'extrémité du micro, ceci signifie que le casque-micro est à la recherche de votre émetteur sans fil. Lorsque les DEL de l'extrémité du micro et de l'émetteur restent allumées en permanence, ceci signifie que votre casque-micro et l'émetteur sont correctement jumelés.



- Une connexion réussie entre votre casque-micro et l'émetteur USB sera également indiquée par un signal sonore. Si vous n'entendez pas l'audio du jeu immédiatement, vous pouvez régler le volume de JEU/DISCUSSION sur tvotre casque.
- Si vous êtes déjà connecté avec un compte, quand vous brancherez l'émetteur Xbox One sans fil, vous verrez une icône à l'écran indiquant que le casque a été associé à un compte spécifique.

