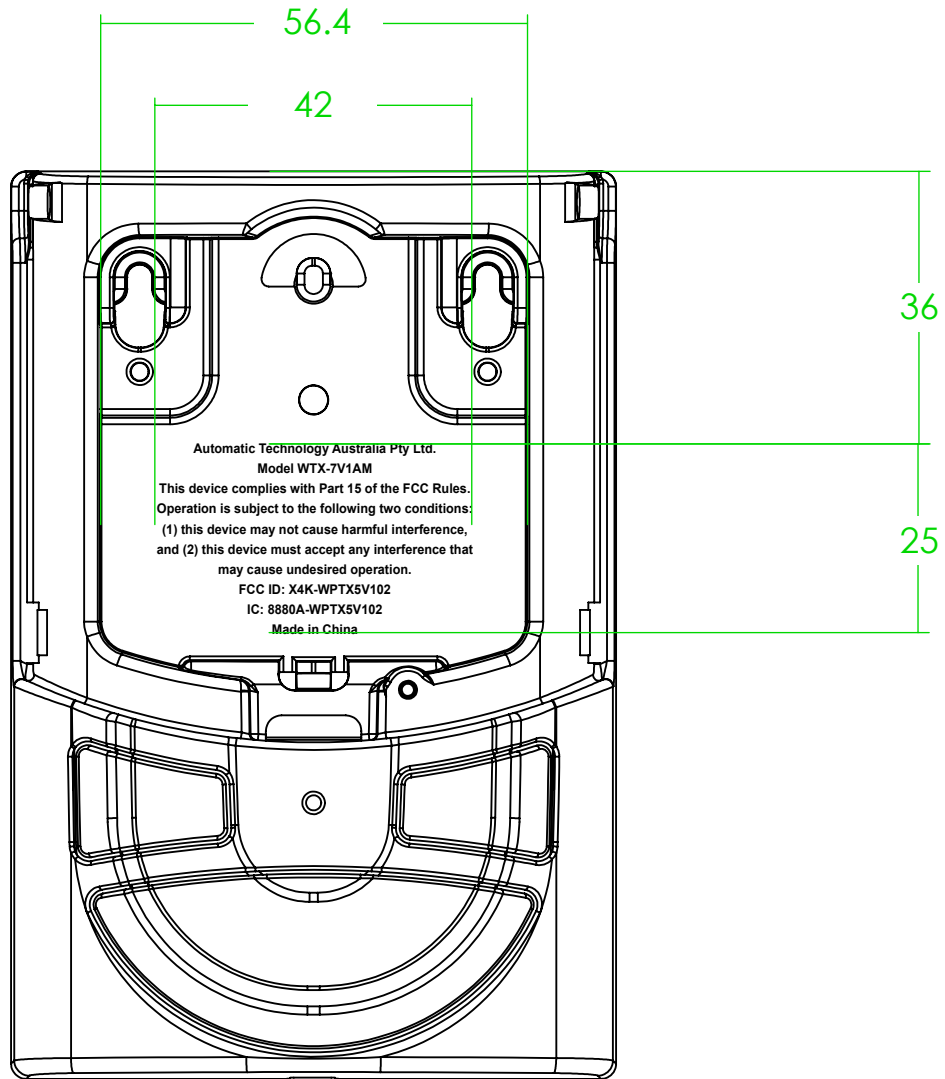


1	2	3	4
---	---	---	---



A
B
C
D

ALL TEXT TO BE BLACK UNLESS OTHERWISE STATED, BACKGROUND WHITE.

ITEM	DWG NO.	DESCRIPTION	1	MAT'L	REMARKS
<p>PROPRIETARY AND CONFIDENTIAL THE INFORMATION CONTAINED IN THIS DRAWING IS THE SOLE PROPERTY OF AUTOMATIC TECHNOLOGY AUSTRALIA Pty Ltd. ANY REPRODUCTION IN PART OR AS A WHOLE WITHOUT THE WRITTEN PERMISSION OF AUTOMATIC TECHNOLOGY AUSTRALIA Pty Ltd. IS PROHIBITED.</p>		<p>Automatic Technology Australia Pty Ltd. 6-8 FIVEWAYS BOULEVARD, KEYSBOROUGH, VIC, 3173, AUSTRALIA PHONE: +61 (0) 3 9791 0200 FAX: +61 (0) 3 9791 0250 WEB: www.automatictechnology.com.au</p>			
<p>GENERAL TOLERANCES: DECIMAL: 0.X ±0.1 RADIUS: 0.5 0.XX ±0.05 CHAMFER: 0.5 x 45° ANGLE: ±0.5° SURFACE FINISH</p> <p>DEBUR AND BREAK SHARP EDGES</p>		<p>TITLE: HOUSING WTX-7AM WT SP</p>			
NAME	G.GAFF		DRAWING NO.	160349_02	ECO.
DATE	18/01/21		SCALE:	1 : 1	REV.
			PART NO.	86835	