

Smart Phone Control Kit

Wireless Smart Hub Installation Instructions

CLASS B DEVICE CAN ICES-3 (B)/NMB-3 (B)

This equipment has been tested and found to comply with the limits for a Class B digital device, pursuant to Part 15 of the FCC Rules. These limits are designed to provide reasonable protection against harmful interference in a residential installation. This equipment generates, uses and can radiate radio frequency energy and, if not installed and used in accordance with the instructions, may cause harmful interference to radio communications. However, there is no guarantee that interference will not occur in a particular installation. If this equipment does cause harmful interference to radio or television reception, which can be determined by turning the equipment off and on, the user is encouraged to try to correct the interference by one or more of the following measures:

- Reorient or relocate the receiving antenna
- Increase the separation between the equipment and receiver
- Connect the equipment into an outlet on a circuit different from that to which the receiver is connected.
- Consult the dealer or experienced radio/TV technician for help.

To comply with FCC/IC RF exposure limits for general population / uncontrolled exposure, the antenna(s) used for this transmitter must be installed to provide a separation distance of at least 7.87in (20cm) from all persons and must not be co-located or operating in conjunction with any other antenna or transmitter.

Garage Door Openers

TRANSCIEVER KIT NTR-1V1 - ORDER NO. 14825		
ITEM	DESCRIPTION	QTY
1	NETWORK TRANSCIEVER NTR-1V1 AY	1
2	TIMING HARNESS 400MM VR12 AY	1
3	TAPTITE SCREW "P" M4 X 12	2
4	VELCRO 20 X 50	1



Changes or modifications not expressly approved by the party responsible for compliance could void the user's authority to operate the equipment.



This device allows for unattended operation of the door when not in line-of-sight of the door opener.

The door may operate unexpectedly, therefore do not allow anything to stay in or near the path of the door. When the door is not operating automatically, watch the door when it is moving and keep people away until the door is completely opened or closed. **Contact with the moving door can cause serious personal injury or damage to property.**



Your opener must be fitted with **SAFETY BEAMS**. Safety Beams detect any obstructions in the door's path and override automatic operation if one presents. These must be installed as in accordance with UL 325 and CSA C222.2 No 247.

This is in addition to regular professional servicing, and monthly obstruction tests as detailed in your opener's Home Owners Manual.



The compliance to FCC radiation exposure limits for an uncontrolled environment, and a minimum of 20cm separation between antenna and body.



This device complies with part 15 of the FCC Rules. Operation is subject to the following two conditions: (1) This device may not cause harmful interference, and (2) this device must accept any interference received, including interference that may cause undesired operation.

Important Safety Instructions



WARNING!

- **DO NOT** attempt to disassemble, repair or modify the product. This will invalidate the warranty.
- Do not allow children to play with the Base Station or your smart phone if the ATA phone app has been installed.



ELECTROCUTION!

- Keep the device away from water and other liquids. In the event that water or other liquids enter the device, power off the product immediately and clean the device.
- To reduce the risk of fire or electric shock, do not expose this device to rain or moisture. The device should not be exposed to dripping or splashing.
- **DO NOT** remove the cover as there are no user-serviceable parts inside.



CAUTION:

Fall from ladder

- Ensure ladder is the correct type for job.
- Ensure ladder is on flat ground.
- Ensure user has 3 points of contact while on ladder.

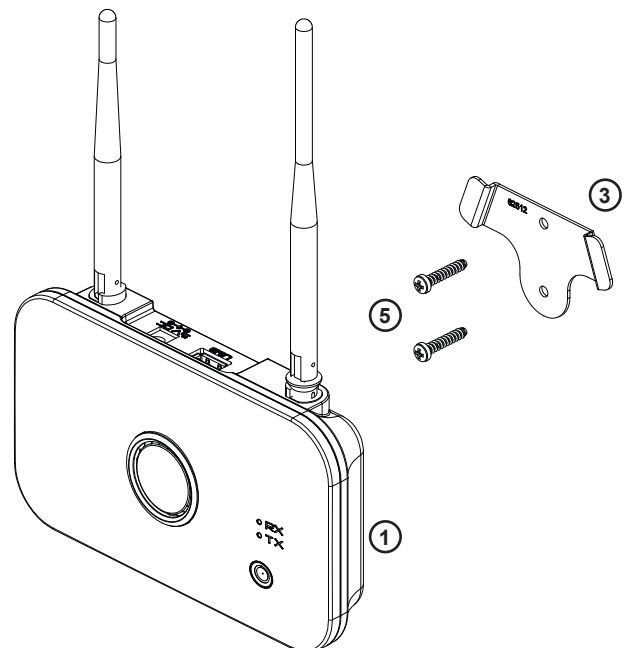
Installation

Before going out to site, check the following with the customer:

- a. The customer has a Smart Phone: Android (running 4.4 and above) or iPhone (running iOS8 and above)
- b. An internet connection for remote operation is available.
- c. A 2.4ghz WiFi network is set up.
- d. We recommend the customer has a WPA2 encryption on the WiFi network as other network types are not as secure.

Mounting the Hub

- a. Determine whether you are going to wall mount the hub.
 - ii. If hub is to be placed on bench, simply connect to power supply, turn on and proceed to installing the Transceiver.
 - iii. If hub is to be wall mounted follow steps below.
- d. To wall mount - Use wall bracket (3) as template to mark where to drill holes. Pre-drill holes.
 - i. For plaster walls - insert (2) two Plastic wall plugs into holes, place wall bracket over holes and affix with (2) two self tapping screws (5).
 - ii. For brick walls - place wall bracket (3) over holes and affix with (2) two self tapping screws (5).
- c. Slide the hub (1) over the bracket.
- d. Connect the power supply and turn on.



This device must be connected to power at all times. DO NOT disconnect power after setup.

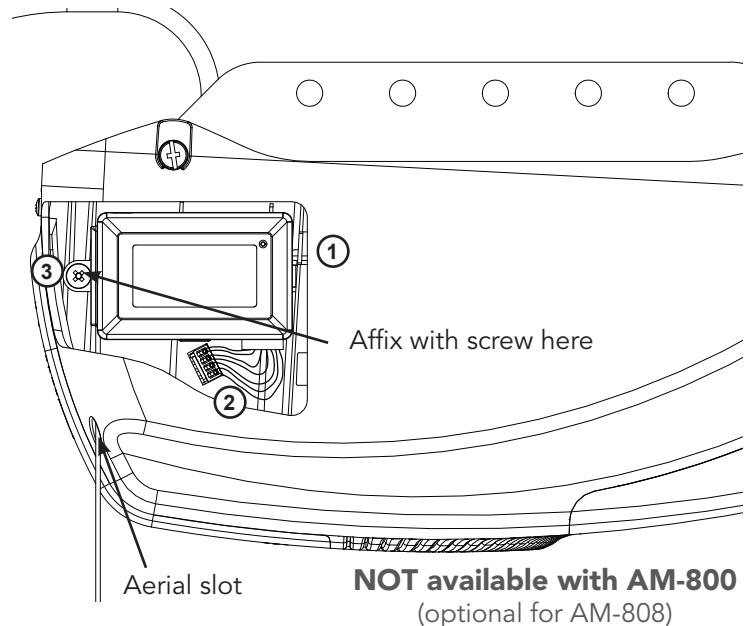
Sectional Door Opener Set Up

Preparation of Opener

- Disconnect the power supply to the opener.
- Open the side cover on the right hand side (looking from back of unit).
- Connect the harness (2) to the network / programmer pin on the control board.
- Place the transceiver (1) inside the cover, threading the aerial through the slot provided and affix with one (1) Taptite Screw (3).
- Refit the side cover.

Re-setup and Test the Opener

- Reconnect power and remove the button cover.
- Setting Limits:
 - If limits have not been set, follow the openers installation sheet to set limits.
 - If limits were set previously, clear limits and follow operators installation manual to set limits.
- Refer to the Smart Phone Control Kit Quick Set Up Guide to set up network capabilities.



Roller Door Opener Set Up

Preparation of Opener

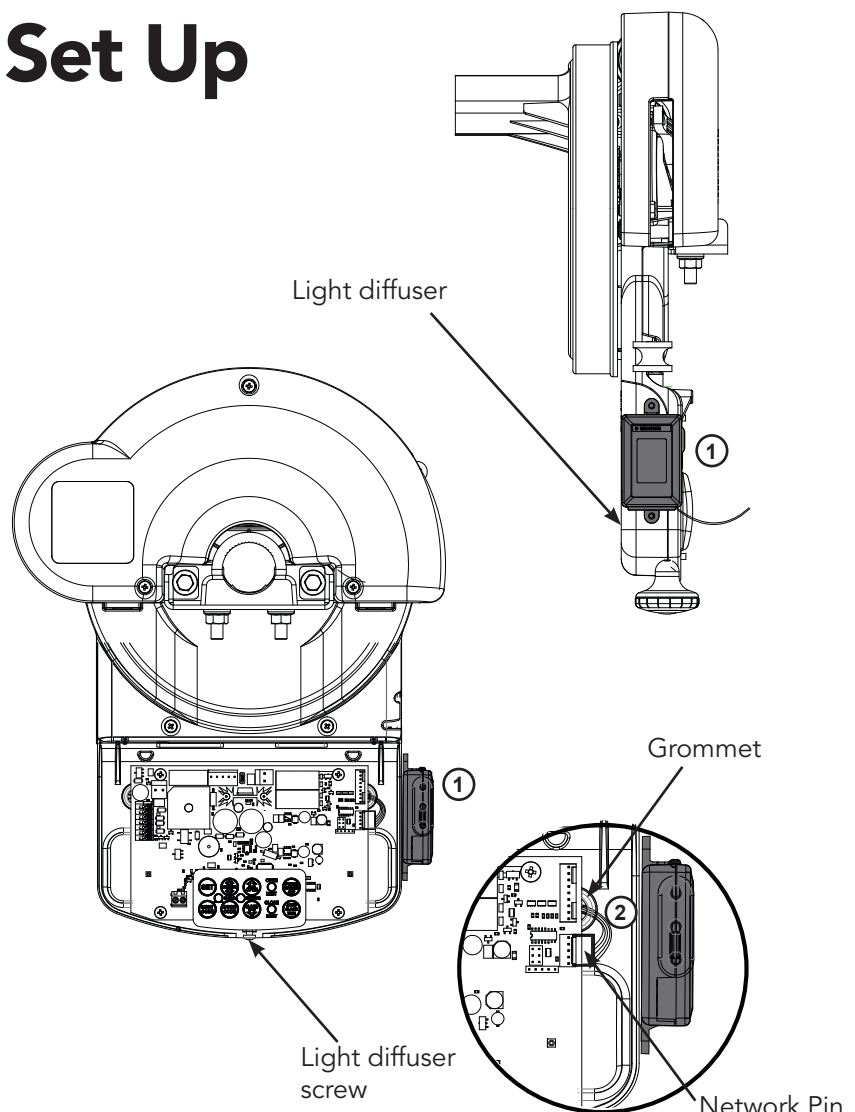
- Disconnect the power supply to the opener.
- Remove the light diffuser via screw at the bottom.
- Remove the grommet out of the back cover.
- Cut (1) one side of the grommet with a knife or scissors.
- Slide the network timing harness (2) into the cut in the grommet.
- Refit grommet to back cover by sliding the harness through hole before fitting grommet.
- Connect the harness to the network pin on the control board.
- Refit the light diffuser.

Mount and connect Transceiver

- Plug the other end of the harness into the transceiver (1).
- Place the transceiver (1) on the side of the opener to the black, back cover so that the screw holes on the transceiver line up with those on the back cover.
- Secure transceiver using the (2) two Taptite M4 x 12 screws (3) or velcro (4).

Re-setup and Test the Opener

- Reconnect power and remove the button cover.
- Setting Limits:
 - If limits have not been set, follow the openers installation sheet to set limits.
 - If limits were set previously, clear limits and follow openers installation sheet to set limits.
- Refer to the Smart Phone Control Kit User Guide to set up network capabilities.



This device contains licence-exempt transmitter(s)/receiver(s) that comply with Innovation, Science and Economic Development Canada's licence-exempt RSS(s). Operation is subject to the following two conditions:

- 1. This device may not cause interference.***
- 2. This device must accept any interference, including interference that may cause undesired operation of the device.***

L'émetteur/récepteur exempt de licence contenu dans le présent appareil est conforme aux CNR d'Innovation, Sciences et Développement économique Canada applicables aux appareils radio exempts de licence.

L'exploitation est autorisée aux deux conditions suivantes :

- 1. L'appareil ne doit pas produire de brouillage;***
- 2. L'appareil doit accepter tout brouillage radioélectrique subi, même si le brouillage est susceptible d'en compromettre le fonctionnement.***

Warranty

WARRANTY PERIOD	
ACCESSORIES	1 Year

This Warranty is to be read in conjunction with the owner's copy of the operator installation instruction