

1

2

3

4

5

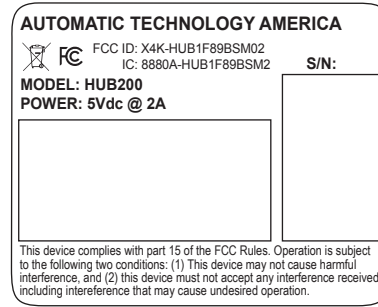
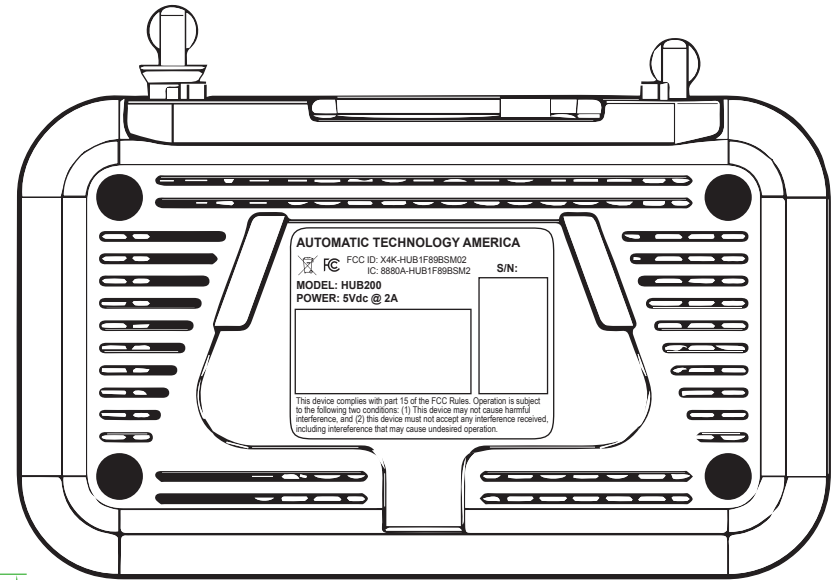
6

A

B

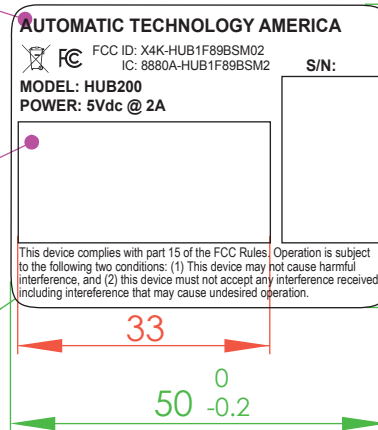
C

D



FONT: BLACK

BACKGROUND: WHITE



R3 (X4)

		LEXAN 0.18THK	ADHESIVE BACKING
--	--	---------------	------------------

DESCRIPTION	QTY	MAT'L	REMARKS
-------------	-----	-------	---------

**PROPRIETARY AND CONFIDENTIAL**  
 THE INFORMATION CONTAINED IN THIS DRAWING IS THE SOLE PROPERTY OF AUTOMATIC TECHNOLOGY AUSTRALIA Pty Ltd. ANY REPRODUCTION IN PART OR AS A WHOLE WITHOUT THE WRITTEN PERMISSION OF AUTOMATIC TECHNOLOGY AUSTRALIA Pty Ltd. IS PROHIBITED.

**Automatic Technology Australia Pty Ltd.**  
 6-8 FIVEWAYS BOULEVARD, KEYSBOROUGH, VIC, 3173, AUSTRALIA  
 PHONE: +61(0) 3 9791 0200 FAX: +61(0) 3 9791 0250  
 WEB: www.ata-aust.com.au

**GENERAL TOLERANCES:**  
 DECIMAL: 0.X ±0.1 RADIUS: 0.5  
 0.XX ±0.05 CHAMFER: 0.5 x 45°  
 ANGLE: ±0.5° SURFACE FINISH  
**DEBUR AND BREAK SHARP EDGES**

TITLE:  
**LABEL ATA HUB200**

NAME: G.GAFF  
 DATE: 08/05/19

DOCUMENT NO. **160175\_03**  
 SCALE: 1 : 1 PART NO. 12687  
 SHEET **A4**