

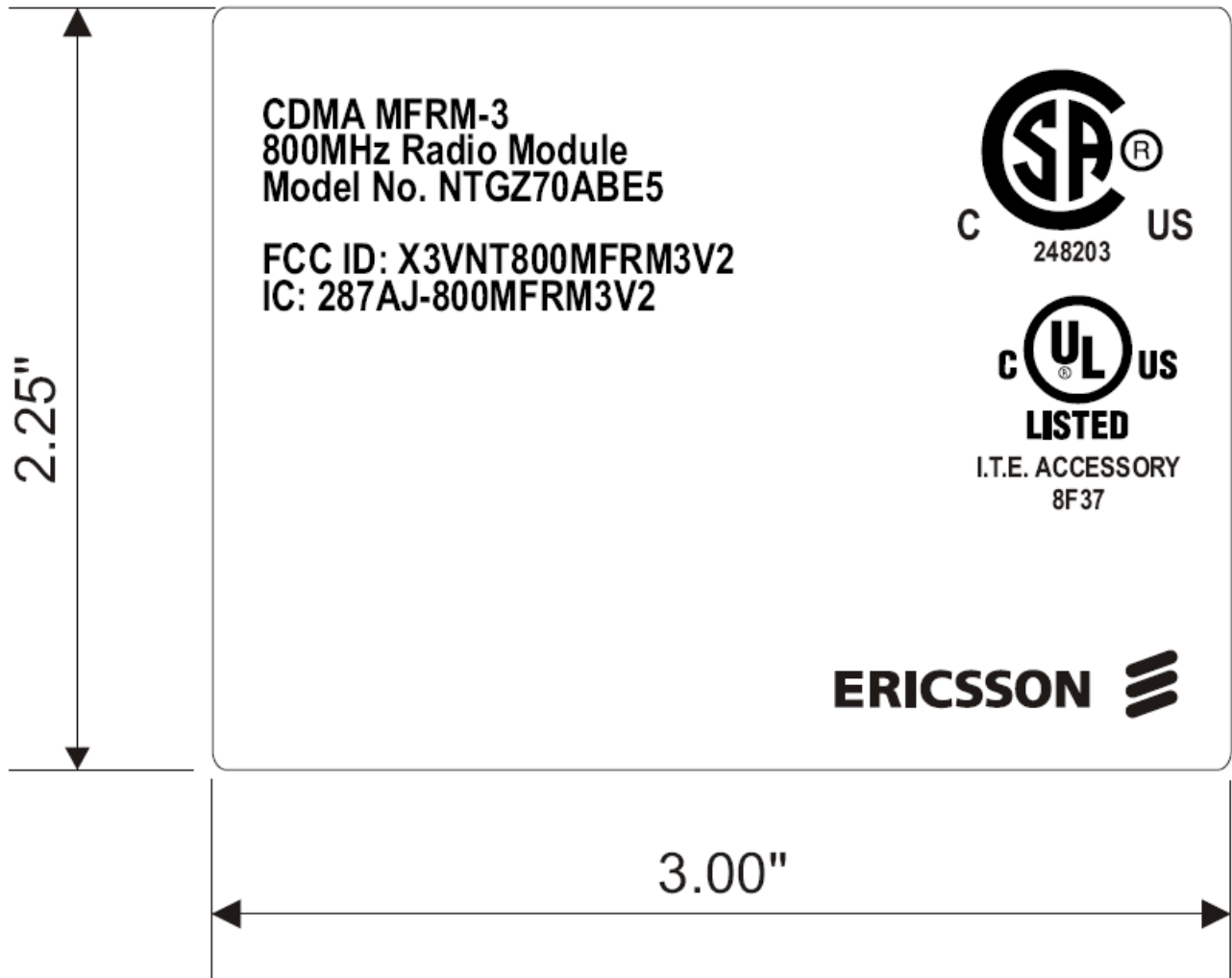
Label & Location

Applicant: Ericsson (China)

For Original Filing:

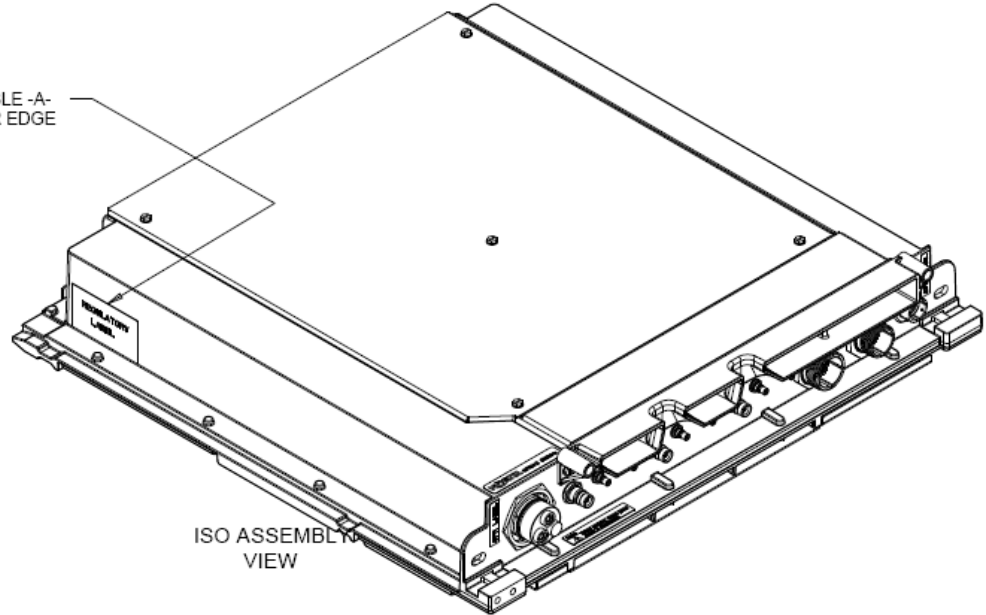
FCC: X3VNT800MFRM3V2

IC: 287AJ-800MFRM3V2



**X3VNT800MFRM3V2
287AJ-800MFRM3V2
Label**

REGULATORY LABEL, SEE TABLE -A-
APPROXIMATE 0.10" GAP TO REAR EDGE



X3VNT800MFRM3V2
287AJ-800MFRM3V2
Location