



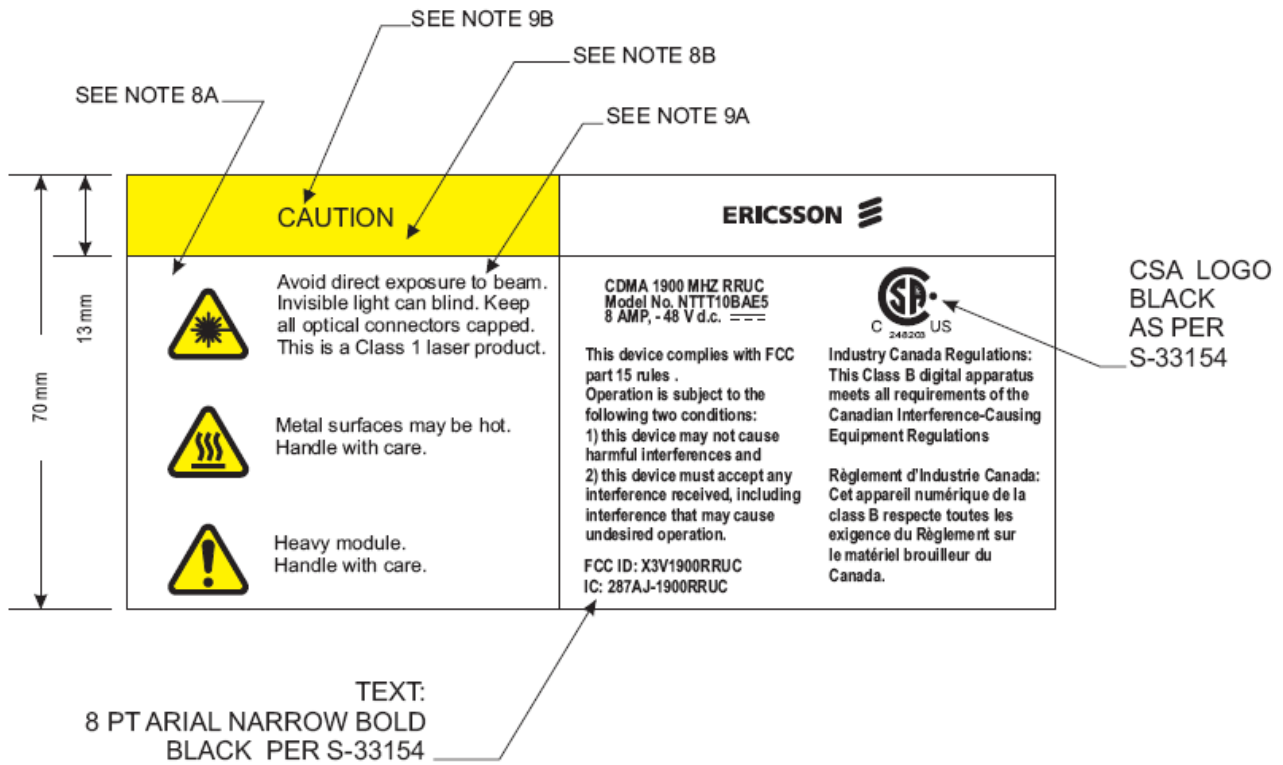
Label & Location

Applicant: Ericsson (China)

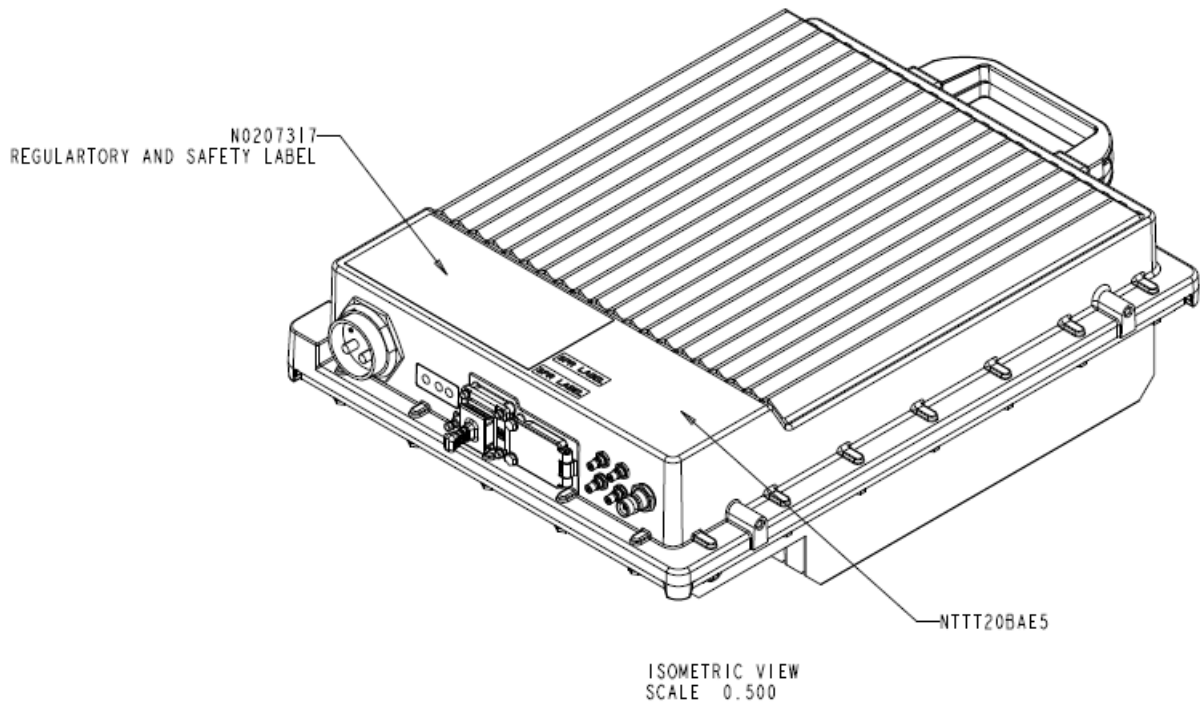
For Original Filing:

FCC: X3V1900RRUC

IC: 287AJ-1900RRUC



**X3V1900RRUC
287AJ-1900RRUC
Label**



X3V1900RRUC
287AJ-1900RRUC
Location