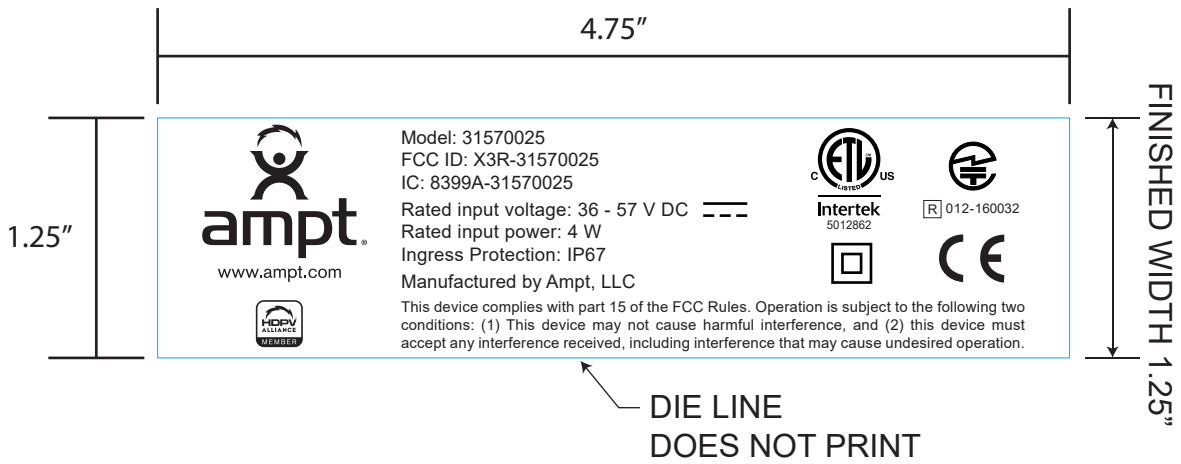


Ampt P/N: 43000114-1 v20230621a
LABEL, INTERTEK CU3.0



Content on the label below does not match the one above

