

<b>Prüfbericht - Nr.:</b> 14030779 001		Seite 1 von 17	
<i>Test Report No.:</i>		<i>Page 1 of 17</i>	
<b>Auftraggeber:</b> <i>Client:</i>	Design Pool Ltd. Room 2104-2105, 21/F Nam Wo Hong Building 148 Wing Lok Street, Sheung Wan Hong Kong		
<b>Gegenstand der Prüfung:</b> <i>Test Item:</i>	Bluetooth Handset		
<b>Bezeichnung:</b> <i>Identification:</i>	POPBT	<b>Serien-Nr.:</b> <i>Serial No.:</i>	Engineering sample
<b>Wareneingangs-Nr.:</b> <i>Receipt No.:</i>	00120802041-001	<b>Eingangsdatum:</b> <i>Date of Receipt:</i>	02.08.2012
<b>Zustand des Prüfgegenstandes bei Anlieferung:</b> <i>Condition of test item at delivery:</i>	Test sample(s) is/are not damaged and suitable for testing.		
<b>Prüfort:</b> <i>Testing Location:</i>	Hong Kong Productivity Council HKPC Building, 78 Tat Chee Avenue, Kowloon, Hong Kong  TÜV Rheinland Hong Kong Ltd. 8/F., First Group Centre, 14 Wang Tai Road, Kowloon Bay, Kowloon, Hong Kong		
<b>Prüfgrundlage:</b> <i>Test Specification:</i>	FCC Part 15 Subpart C ANSI C63.4-2003 CISPR 22:1997		
<b>Prüfergebnis:</b> <i>Test Results:</i>	Das vorstehend beschriebene Gerät wurde geprüft und entspricht oben genannter Prüfgrundlage.  The above mentioned product was tested and <b>passed</b> .		
<b>Prüflaboratorium:</b> <i>Testing Laboratory:</i>	TÜV Rheinland Hong Kong Ltd. 8 - 10/F., Goldin Financial Global Square, 7 Wang Tai Road, Kowloon Bay, Kowloon, Hong Kong		
<b>geprüft/ tested by:</b>	<b>kontrolliert/ reviewed by:</b>		
07.09.2012	Mika Chan Senior Project Engineer	07.09.2012	Sharon Li Section Manager
<b>Datum</b> <i>Date</i>	<b>Name/Stellung</b> <i>Name/Position</i>	<b>Unterschrift</b> <i>Signature</i>	<b>Datum</b> <i>Date</i>
			<b>Name/Stellung</b> <i>Name/Position</i>
			<b>Unterschrift</b> <i>Signature</i>
<b>Sonstiges:</b> Other Aspects	FCCID: X3QPOPBT		
<b>Abkürzungen:</b>	P(ass) = entspricht Prüfgrundlage F(ail) = entspricht nicht Prüfgrundlage N/A = nicht anwendbar N/T = nicht getestet	<b>Abbreviations:</b>	P(ass) = passed F(ail) = failed N/A = not applicable N/T = not tested
<b>Dieser Prüfbericht bezieht sich nur auf das o.g. Prüfmuster und darf ohne Genehmigung der Prüfstelle nicht auszugsweise vervielfältigt werden. Dieser Bericht berechtigt nicht zur Verwendung eines Prüfzeichens.</b> <i>This test report relates to the a. m. test sample. Without permission of the test center this test report is not permitted to be duplicated in extracts. This test report does not entitle to carry any safety mark on this or similar products.</i>			

## Table of Content

	<b>Page</b>
<b>Cover Page .....</b>	<b>1</b>
<b>Table of Content .....</b>	<b>2</b>
<b>Product information .....</b>	<b>4</b>
Manufacturers declarations.....	4
Product function and intended use .....	5
Submitted documents.....	5
Remark.....	5
Special accessories and auxiliary equipment .....	5
<b>List of Test and Measurement Instruments.....</b>	<b>5</b>
<b>Results FCC Part 15 – Subpart C .....</b>	<b>7</b>
Subclause 15.203 – Antenna Information.....	Pass ..... 7
Subclause 15.204 – Antenna Information.....	Pass ..... 7
Subclause 15.207 – Disturbance Voltage on AC Mains .....	Pass ..... 7
Subclause 15.247 (a)(1) – Carrier Frequency Separation .....	Pass ..... 8
Subclause 15.247 (a)(1)(iii) – Number of hopping channels .....	Pass ..... 8
Subclause 15.247 (a)(1)(iii) – Time of Occupancy (Dwell Time).....	Pass ..... 9
Subclause 15.247 (a) – 20 dB Bandwidth.....	Pass ..... 10
Subclause 15.247 (a) – Hopping Sequence.....	Pass ..... 11
Subclause 15.247 (a) – Equal Hopping Frequency Use .....	Pass ..... 12
Subclause 15.247 (a) – Receiver Input Bandwidth.....	Pass ..... 13
Subclause 15.247 (a) – Receiver Hopping Capability .....	Pass ..... 13
Subclause 15.247 (b)(1) – Peak Output Power.....	Pass ..... 13
Subclause 15.247 (d) – Band edge compliance of conducted emissions .....	Pass ..... 14
Subclause 15.205 – Band edge compliance of radiated emissions .....	Pass ..... 14
Subclause 15.247 (d) – Spurious Conducted Emissions.....	Pass ..... 15
Subclause 15.247 (c) – Spurious Radiated Emissions .....	Pass ..... 16

<b>Appendix 1 – Test protocols .....</b>	<b>22 pages</b>
<b>Appendix 2 – Test setup .....</b>	<b>3 pages</b>
<b>Appendix 3 – Photo documentation .....</b>	<b>7 pages</b>
<b>Appendix 4 – Product documentation .....</b>	<b>15 pages</b>

## Product information

### Manufacturers declarations

	<b>Transceiver</b>
Operating frequency range	2402 - 2480 MHz
Type of modulation	FHSS modulation
Number of channels	79
Channel separation	1 MHz
Type of antenna	PCB Antenna
Antenna gain (dBi)	0
Power level	fix
Type of equipment	stand alone radio device
Connection to public utility power line	No
Nominal voltage	V <sub>nom</sub> : 3.7V
Independent Operation Modes	Page scan Inquiry scan Connection state - ACL Link Connection state - SCO Link

## Product function and intended use

The submitted sample is a Bluetooth Headset based on the Bluetooth technology.

Bluetooth is a short-range radio link intended to be a cable replacement between portable and/or fixed electronic devices.

Bluetooth operates in the unlicensed ISM Band at 2.4 GHz. In the US a band of 83.5 MHz width is available. In this band, 79 RF channels spaced 1MHz apart are defined.

The channel is represented by a pseudo-random hopping sequence through the 79 channels. The channel is divided into time slots, with a nominal slot length of 625µs, where each slot corresponds to different RF hop frequencies. The nominal hop rate is 1600 hops/s. The symbol rate on the channel is 1 Ms/s.

The USB connector is for charging only, no data exchange supported.

## Submitted documents

Circuit Diagram  
Block Diagram  
Bill of material  
User Manual  
Label Artwork

## Remark

## Special accessories and auxiliary equipment

Laptop computer  
Brand: Lenovo  
Model: T61  
S/N: L3-X9333 08/05

AC adaptor  
Brand: Lenovo  
Model: 92P1103  
Input rating: 100-240V ~ 1.7A-0.9A, 50/60Hz  
Output rating: 2.0V, 4.5A

## List of Test and Measurement Instruments

### Hong Kong Productivity Council (Registration number: 90656)

Equipment	Manufacturer	Type	S/N	Due Date
Semi-anechoic Chamber	Frankonia	Nil	Nil	25-May-13
Test Receiver	R & S	ESU40	100190	26-May-13
Bi-conical Antenna	R & S	HK116	100242	05-May-13
Log Periodic Antenna	R & S	HL223	841516/020	06-May-13
Coaxial cable 50ohm	Rosenberger	RTK081-05S-05S-10m	LA2-001-10M / 001	15-Nov-13
Microwave amplifier 0.5-26.5GHz, 25dB gain	HP	83017A	3950M00241	03-Oct-13
High Pass Filter (cutoff freq. =1000MHz)	Trilithic	23042	9829213	28-Oct-13
Horn Antenna	EMCO	3115	9002-3351	11-May-13
Active Loop Antenna	EMCO	6502	9107-2651	21-Jun-13
FSP 30 Spectrum Analyser	R & S	FSP 30	100007	17-Sep-12

## Results FCC Part 15 – Subpart C

<b>Subclause 15.203 – Antenna Information</b>		<b>Pass</b>
<b>Requirement:</b>	No antenna other than that furnished by the responsible party shall be used with the device	
<b>Results:</b>	Permanent attached antenna	
<b>Verdict:</b>	Pass	

<b>Subclause 15.204 – Antenna Information</b>		<b>Pass</b>
<b>Requirement:</b>	Provide information for every antenna proposed for the use with the EUT	
<b>Results:</b>	a) Antenna type:	PCB antenna
	b) Manufacturer and model no:	N.A.
	c) Gain with reference to an isotropic radiator:	0 dBi
<b>Verdict:</b>	Pass	

<b>Subclause 15.207 – Disturbance Voltage on AC Mains</b>		<b>Pass</b>				
Test Port: Laptop Computer AC Adaptor Applied voltage: 120VAC Mode of operation: Charging and Music playing Mode						
<b>Live measurement</b>						
Frequency range (MHz)	Frequency (MHz)	Quasi-peak (dBµV)	Average (dBµV)	Limit QP (dBµV)	Limit AV (dBµV)	Verdict
0,15 – 0,5	0.204	55.0	36.8	66 - 56	56 - 46	Pass
	0.240	52.1	30.6	66 - 56	56 - 46	Pass
	0.288	50.2	30.7	66 - 56	56 - 46	Pass
> 0,5 - 5	0.648	38.7	36.3	56	46	Pass
> 5 - 30	---	---	---	60	50	Pass
<b>Neutral measurement</b>						
Frequency range (MHz)	Frequency (MHz)	Quasi-peak (dBµV)	Average (dBµV)	Limit QP (dBµV)	Limit AV (dBµV)	Verdict
0,15 – 0,5	0.210	55.5	39.9	66 - 56	56 - 46	Pass
	0.240	52.7	31.5	66 - 56	56 - 46	Pass
	0.270	52.2	34.0	66 - 56	56 - 46	Pass
	0.348	48.3	28.8	66 - 56	56 - 46	Pass
	0.432	41.8	30.2	66 - 56	56 - 46	Pass
> 0,5 - 5	---	---	---	56	46	Pass
> 5 - 30	---	---	---	60	50	Pass

**Results:** The radio frequency voltage that is conducted back onto the AC power line on any frequency or frequencies within the band 150kHz to 30MHz does not exceed the limits. For test Results plots refer to Appendix 1, page 2-3.

<b>Subclause 15.247 (a)(1) – Carrier Frequency Separation</b>		<b>Pass</b>
<b>Requirement:</b>	Frequency hopping systems shall have hopping channel carrier frequencies separated by a minimum of 25kHz or the 2/3*20dB bandwidth of the hopping channel, whichever is greater.	
Test Specification	: FCC Part 15 Subpart A – Subclause 15.31	
Mode of operation	: Tx mode (hopping on), GFSK	
Port of testing	: Temporary antenna port	
Detector	: Peak	
RBW/VBW	: 100 KHz / 300 KHz	
Supply voltage	: 3.7VDC, internal battery	
Temperature	: 23°C	
Humidity	: 50%	
<b>Results:</b>	Pre-scan has been conducted to determine the worst-case mode from all possible combinations between available modulations and packet types. The centre frequencies of the hopping channels are separated by more than the 2/3*20dB bandwidth. For test Results plots refer to Appendix 1, page 4.	
<b>Verdict:</b>	Pass	

<b>Subclause 15.247 (a)(1)(iii) – Number of hopping channels</b>		<b>Pass</b>
<b>Requirement:</b>	Frequency hopping systems operating in the 2400MHz-2483.5MHz bands shall use at least 15 hopping frequencies.	
Test Specification	: FCC Part 15 Subpart A – Subclause 15.31	
Mode of operation	: Tx mode (hopping on), GFSK	
Port of testing	: Temporary antenna port	
Detector	: Peak	
RBW/VBW	: 1 MHz / 3 MHz	
Supply voltage	: 3.7VDC, internal battery	
Temperature	: 23°C	
Humidity	: 50%	
<b>Results:</b>	The total number of hopping frequencies is more than 15. For test Results plots refer to Appendix 1, page 5.	
<b>Verdict:</b>	Pass	



<b>Subclause 15.247 (a)(1)(iii) – Time of Occupancy (Dwell Time)</b>		<b>Pass</b>
<b>Requirement:</b>	Frequency hopping systems in the 2400-2483.5 MHz band shall use at least 15 channels. The average time of occupancy on any channel shall not be greater than 0.4 seconds within a period of 0.4 seconds multiplied by the number of hopping channels employed.	
Test Specification :	FCC Part 15 Subpart A – Subclause 15.31	
Mode of operation :	Tx mode (hopping on), DH5 packet	
Port of testing :	Temporary antenna port	
Detector :	Peak	
RBW/VBW :	1 MHz / 3 MHz	
Supply voltage :	3.7VDC, internal battery	
Temperature :	23°C	
Humidity :	50%	
<b>Results:</b>	Time period calculation = $0.4 \times 79 = 31.6\text{s}$ Dwell time = $64 \times 2.912 \times 10^{-3} = 186.37 \times 10^{-3} \text{ s}$ $\leq 400 \times 10^{-3} \text{ s}$	
	For test protocols please refer to Appendix 1, page 6.	
<b>Verdict:</b>	Pass	

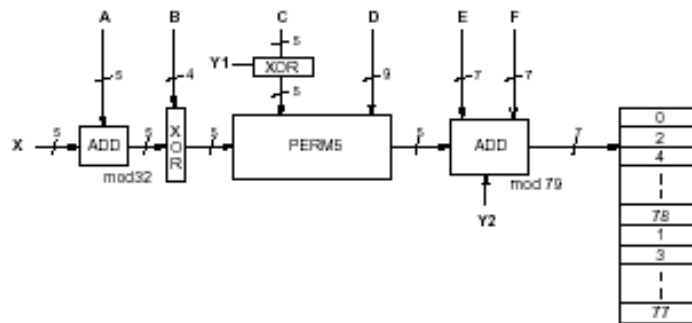
<b>Subclause 15.247 (a) – 20 dB Bandwidth</b>		<b>Pass</b>	
Requirement:	Frequency hopping systems shall have hopping channel carrier frequencies separated by a minimum of 25kHz or the 2/3*20dB bandwidth of the hopping channel, whichever is greater.		
Test Specification :	FCC Part 15 Subpart A – Subclause 15.31		
Mode of operation :	Tx mode (2402MHz, 2441MHz, 2480MHz)		
Port of testing :	Temporary antenna port		
Detector :	Peak		
RBW/VBW :	30 kHz / 100 kHz		
Supply voltage :	3.7VDC, internal battery		
Temperature :	23°C		
Humidity :	50%		
<b>Results:</b>	Pre-scan has been conducted to determine the worst-case mode from all possible combinations between available modulations and packet types.  For test protocols refer to Appendix 1, page 7-8.		
<b>GFSK Modulation</b>			
Frequency (MHz)	20 dB left (MHz)	20 dB right (MHz)	20dB bandwidth (MHz)
2402	0.462	0.474	0.936
2441	0.456	0.486	0.942
2480	0.456	0.486	0.942

**Subclause 15.247 (a) – Hopping Sequence**
**Pass**

Requirement: The hopping sequence is generated and provided with an example.

**Hopping sequence**

The channel is represented by a pseudo-random hopping sequence hopping through the 79 RF channels. The hopping sequence is unique for the piconet and is determined by the Bluetooth device address of the master. The X input determines the phase in the 32-hop segment, whereas Y1 and Y2 selects between master-to-slave and slave-to-master transmission. The inputs A to D determine the ordering within the segment, the inputs E and F determine the mapping onto the hop frequencies.



**Example data:**

Hop sequence {k} for CONNECTION STATE:

CLK start: 0x0000010

ULAP: 0x00000000

#ticks: 00 02 | 04 06 | 08 0a | 0c 0e | 10 12 | 14 16 | 18 1a | 1c 1e |

```

-----
0x0000010: 08 66 | 10 70 | 12 19 | 14 23 | 16 01 | 18 05 | 20 33 | 22 37 |
0x0000030: 24 03 | 26 07 | 28 35 | 30 39 | 32 72 | 34 76 | 36 25 | 38 29 |
0x0000050: 40 74 | 42 78 | 44 27 | 46 31 | 48 09 | 50 13 | 52 41 | 54 45 |
0x0000070: 56 11 | 58 15 | 60 43 | 62 47 | 32 17 | 36 19 | 34 49 | 38 51 |
0x0000090: 40 21 | 44 23 | 42 53 | 46 55 | 48 33 | 52 35 | 50 65 | 54 67 |
0x00000b0: 56 37 | 60 39 | 58 69 | 62 71 | 64 25 | 68 27 | 66 57 | 70 59 |
0x00000d0: 72 29 | 76 31 | 74 61 | 78 63 | 01 41 | 05 43 | 03 73 | 07 75 |
0x00000f0: 09 45 | 13 47 | 11 77 | 15 00 | 64 49 | 66 53 | 68 02 | 70 06 |
0x0000110: 01 51 | 03 55 | 05 04 | 07 08 | 72 57 | 74 61 | 76 10 | 78 14 |
0x0000130: 09 59 | 11 63 | 13 12 | 15 16 | 17 65 | 19 69 | 21 18 | 23 22 |
0x0000150: 33 67 | 35 71 | 37 20 | 39 24 | 25 73 | 27 77 | 29 26 | 31 30 |
0x0000170: 41 75 | 43 00 | 45 28 | 47 32 | 17 02 | 21 04 | 19 34 | 23 36 |
0x0000190: 33 06 | 37 08 | 35 38 | 39 40 | 25 10 | 29 12 | 27 42 | 31 44 |
0x00001b0: 41 14 | 45 16 | 43 46 | 47 48 | 49 18 | 53 20 | 51 50 | 55 52 |
0x00001d0: 65 22 | 69 24 | 67 54 | 71 56 | 57 26 | 61 28 | 59 58 | 63 60 |
0x00001f0: 73 30 | 77 32 | 75 62 | 00 64 | 49 34 | 51 42 | 57 66 | 59 74 |
0x0000210: 53 36 | 55 44 | 61 68 | 63 76 | 65 50 | 67 58 | 73 03 | 75 11 |
0x0000230: 69 52 | 71 60 | 77 05 | 00 13 | 02 38 | 04 46 | 10 70 | 12 78 |
0x0000250: 06 40 | 08 48 | 14 72 | 16 01 | 18 54 | 20 62 | 26 07 | 28 15 |
0x0000270: 22 56 | 24 64 | 30 09 | 32 17 | 02 66 | 06 74 | 10 19 | 14 27 |
0x0000290: 04 70 | 08 78 | 12 23 | 16 31 | 18 03 | 22 11 | 26 35 | 30 43 |
0x00002b0: 20 07 | 24 15 | 28 39 | 32 47 | 34 68 | 38 76 | 42 21 | 46 29 |
0x00002d0: 36 72 | 40 01 | 44 25 | 48 33 | 50 05 | 54 13 | 58 37 | 62 45 |
0x00002f0: 52 09 | 56 17 | 60 41 | 64 49 | 34 19 | 36 35 | 50 51 | 52 67 |
0x0000310: 38 21 | 40 37 | 54 53 | 56 69 | 42 27 | 44 43 | 58 59 | 60 75 |
0x0000330: 46 29 | 48 45 | 62 61 | 64 77 | 66 23 | 68 39 | 03 55 | 05 71 |
0x0000350: 70 25 | 72 41 | 07 57 | 09 73 | 74 31 | 76 47 | 11 63 | 13 00 |
0x0000370: 78 33 | 01 49 | 15 65 | 17 02 | 66 51 | 70 67 | 03 04 | 07 20 |
0x0000390: 68 55 | 72 71 | 05 08 | 09 24 | 74 59 | 78 75 | 11 12 | 15 28 |
0x00003b0: 76 63 | 01 00 | 13 16 | 17 32 | 19 53 | 23 69 | 35 06 | 39 22 |
0x00003d0: 21 57 | 25 73 | 37 10 | 41 26 | 27 61 | 31 77 | 43 14 | 47 30 |
0x00003f0: 29 65 | 33 02 | 45 18 | 49 34 | 19 04 | 21 08 | 23 20 | 25 24 |

```

**Subclause 15.247 (a) – Equal Hopping Frequency Use**
**Pass**

Requirement: Each of the transmitter's hopping channels is used equally on average.

Equal hopping frequency use

The EUT complies with the Bluetooth RF specifications. For details refer to the Bluetooth standard.

<b>Subclause 15.247 (a) – Receiver Input Bandwidth</b>	<b>Pass</b>
Requirement: The associated receiver(s) complies with the requirement that its input bandwidth matches the bandwidth of the transmitted signal.	
Receiver input bandwidth The receiver bandwidth is equal to the receiver bandwidth in the 79 hopping channel mode, which is 1 MHz. The receiver bandwidth was verified during Bluetooth RF conformance testing.	

<b>Subclause 15.247 (a) – Receiver Hopping Capability</b>	<b>Pass</b>
Requirement: The associated receiver has the ability to shift frequencies in synchronisation with the transmitted signals.	
Receiver hopping Capability The EUT complies with the Bluetooth RF specifications. For details refer to the Bluetooth standard.	

<b>Subclause 15.247 (b)(1) – Peak Output Power</b>	<b>Pass</b>				
Test Specification : FCC Part 15 Subpart A – Subclause 15.31 Mode of operation : Tx mode (2402MHz, 2441MHz, 2480MHz) Port of testing : Temporary antenna port Detector : Peak RBW/VBW : 3 MHz / 10 MHz Supply voltage : 3.7VDC, internal battery Temperature : 23°C Humidity : 50%					
Requirement: For frequency hopping systems operating in the 2400-2483.5 MHz band employing at least 75 hopping channels, and all frequency hopping systems in the 5725-5850 MHz band: 1 Watt. For all other frequency hopping systems in the 2400 – 2483.5 MHz band: 0.125 Watts.					
<b>Results:</b> For test protocols please refer to Appendix 1, page 9-10.					
<b>GFSK Modulation</b>					
<b>Frequency (MHz)</b>	<b>Maximum peak output power (dBm)</b>	<b>Cable attenuation (dB)</b>	<b>Output power (dBm)</b>	<b>Limit (W/dBm)</b>	<b>Verdict</b>
2402	2.52	0.00	2.520	1 / 30.0	Pass
2441	2.80	0.00	2.800	1 / 30.0	Pass
2480	2.46	0.00	2.460	1 / 30.0	Pass

<b>Subclause 15.247 (d) – Band edge compliance of conducted emissions</b>		<b>Pass</b>
Test Specification : FCC Part 15 Subpart A – Subclause 15.31 Mode of operation : Tx mode (2402MHz, 2480MHz), GFSK Port of testing : Temporary antenna port Detector : Peak RBW/VBW : 100 kHz / 300 kHz Supply voltage : 3.7VDC, internal battery Temperature : 23°C Humidity : 50%		
Requirement:	In any 100 kHz bandwidth outside the frequency band in which the spread spectrum or digitally modulated intentional radiator is operating, the radio frequency power that is produced by the intentional radiator shall be at least 20 dB below that in the 100 kHz bandwidth within the band that contains the highest level of the desired power, based on either an RF conducted or a radiated measurement.	
Results:	Pre-scan has been conducted to determine the worst-case mode from all possible combinations between available modulations and packet types.  There is no peak found outside any 100 kHz bandwidth of the operating frequency band. For test protocols refer to Appendix 1, page 11-12.	

<b>Subclause 15.205 – Band edge compliance of radiated emissions</b>		<b>Pass</b>
Test Specification : FCC Part 15 Subpart A – Subclause 15.31 Mode of operation : Tx mode (2402MHz, 2480MHz), GFSK Port of testing : Temporary antenna port Detector : Peak RBW/VBW : 1 MHz / 1 MHz Supply voltage : 3.7VDC, internal battery Temperature : 23°C Humidity : 50%		
Requirement:	Radiated emissions which fall in the restricted bans, as defined in 15.205 (a), must also comply with the radiated emission limits specified in 15.209(a).	
Results:	There is no peak found in the restricted bands. For test protocols refer to Appendix 1, page 13-20.	

<b>Subclause 15.247 (d) – Spurious Conducted Emissions</b>				<b>Pass</b>	
Test Specification : FCC Part 15 Subpart A – Subclause 15.31 Mode of operation : Tx mode (2402MHz, 2441MHz, 2480MHz), GFSK Port of testing : Temporary antenna port Detector : Peak RBW/VBW : 100 kHz / 300 kHz Supply voltage : 3.7VDC, internal battery Temperature : 23 °C Humidity : 50 %					
<b>Requirement:</b> In any 100 kHz bandwidth outside the frequency band in which the spread spectrum or digitally modulated intentional radiator is operating, the radio frequency power that is produced by the intentional radiator shall be at least 20 dB below that in the 100 kHz bandwidth within the band that contains the highest level of the desired power, based on either an RF conducted or a radiated measurement.					
<b>Results:</b> Pre-scan has been conducted to determine the worst-case mode from all possible combinations between available modulations and packet types.  There is no peak found outside any 100kHz bandwidth of the operating frequency band in the three transmit frequency. All three transmit frequency modes comply with the limit stated in subclause 15.247(d). For test protocols refer to Appendix 1, page 21-22.					
<b>Operating frequency (MHz)</b>	<b>Spurious frequency (MHz)</b>	<b>Spurious Level (dBm)</b>	<b>Reference value (dBm)</b>	<b>Delta (dB)</b>	<b>Verdict</b>
2402	4800	-45.37	1.85	-47.22	Pass
2441	4850	-41.47	1.76	-43.23	Pass
2480	4950	-41.28	1.53	-42.81	Pass

<b>Subclause 15.247 (c) – Spurious Radiated Emissions</b>		<b>Pass</b>
Test Specification : ANSI C63.4 – 2003 Mode of operation : Tx mode (2402MHz, 2441MHz, 2480MHz), GFSK Port of testing : Enclosure Detector : Peak RBW/VBW : 100 kHz / 300 kHz for f < 1 GHz 1 MHz / 3 MHz for f > 1 GHz Supply voltage : 3.7VDC, internal battery Temperature : 23°C Humidity : 50%		
<b>Requirement:</b> In any 100kHz bandwidth outside the frequency band at least 20dB below the highest level of the desired power. In addition, radiated emissions which fall in the restricted bands, as defined in section 15.205(a), must also comply with the radiated emission limits specified in section 15.205(c).		
<b>Results:</b> Pre-scan has been conducted to determine the worst-case mode from all possible combinations between available modulations and packet types.  All three transmit frequency modes comply with the field strength within the restricted bands. There is no spurious found below 30MHz.		
Tx frequency 2402MHz		Vertical Polarization
<b>Freq MHz</b>	<b>Level dBuV/m</b>	<b>Limit/ Detector dBuV/m</b>
4803.958	61.54	74.0 / PK
4804.006	40.77	54.0 / AV
Tx frequency 2402MHz		Horizontal Polarization
<b>Freq MHz</b>	<b>Level dBuV/m</b>	<b>Limit/ Detector dBuV/m</b>
394.250	37.10	46 / QP
4804.288	60.95	74.0 / PK
4803.968	40.53	54.0 / AV
Tx frequency 2441MHz		Vertical Polarization
<b>Freq MHz</b>	<b>Level dBuV/m</b>	<b>Limit/ Detector dBuV/m</b>
4882.308	65.14	74.0 / PK
4881.987	42.04	54.0 / AV
Tx frequency 2441MHz		Horizontal Polarization
<b>Freq MHz</b>	<b>Level dBuV/m</b>	<b>Limit/ Detector dBuV/m</b>
391.670	37.00	46 / QP
4882.388	66.64	74.0 / PK
4881.987	42.68	54.0 / AV



Tx frequency 2480MHz		Vertical Polarization	
Freq MHz	Level dBuV/m	Limit/ Detector dBuV/m	
4960.337	69.31	74.0 / PK	
4959.920	44.01	54.0 / AV	
Tx frequency 2480MHz		Horizontal Polarization	
Freq MHz	Level dBuV/m	Limit/ Detector dBuV/m	
394.910	37.20	46 / QP	
4960.304	70.51	74.0 / PK	
4959.920	44.32	54.0 / AV	