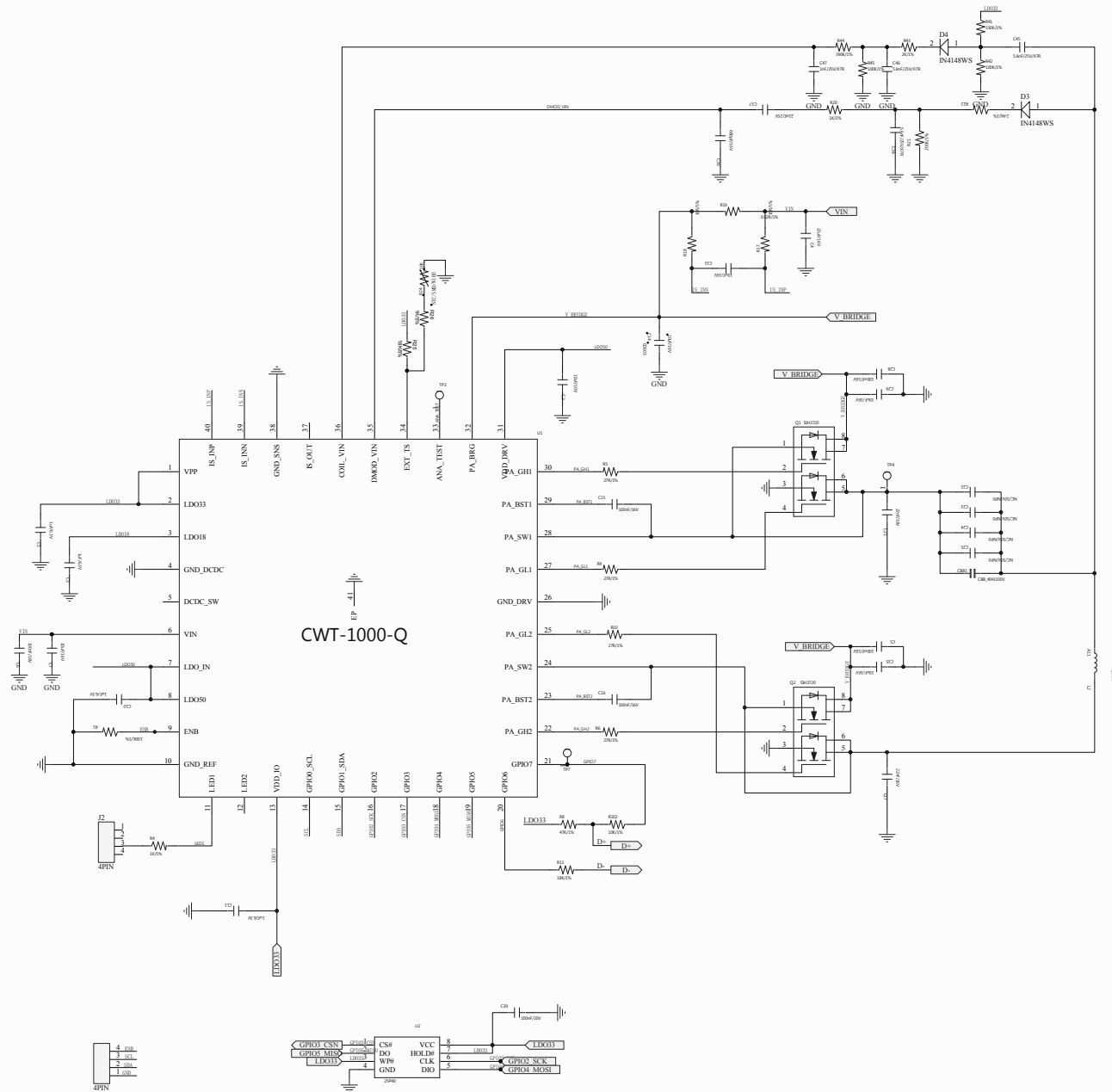
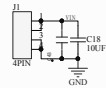


Title		
Size	Number	Revision
A3		
Date:	2019-07-15	Sheet of
File:	D:\工作资料\WL-033P3-MA-V1.0-20190715	1/1



Title		
Size	Number	Revision
A4		
Date:	2020/1/7	Sheet of
File:	D:\3D\H1_WL-03P3-SA\2.0 SchDoc	Drawn By: