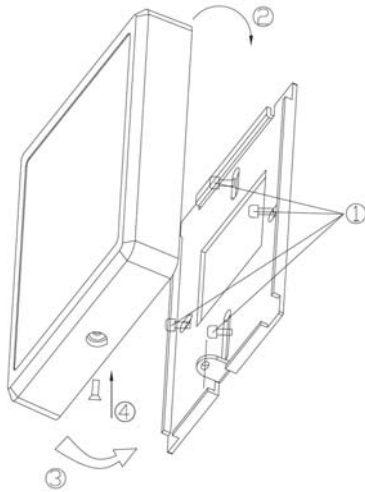


Keypad & Proximity Flash Mount Reader Installation Manual

Mounting:

1. Install the metal plate on the wall with two or four screws, which depends on different kinds of gang box being installed ①.
2. The cover shall clip on the upper edge ② the push in the bottom part as show in diagram ③.
3. Tighten the secure non-dropout screw, which located underneath of the reader to fix the reader and the back plate ④, installation is completed.



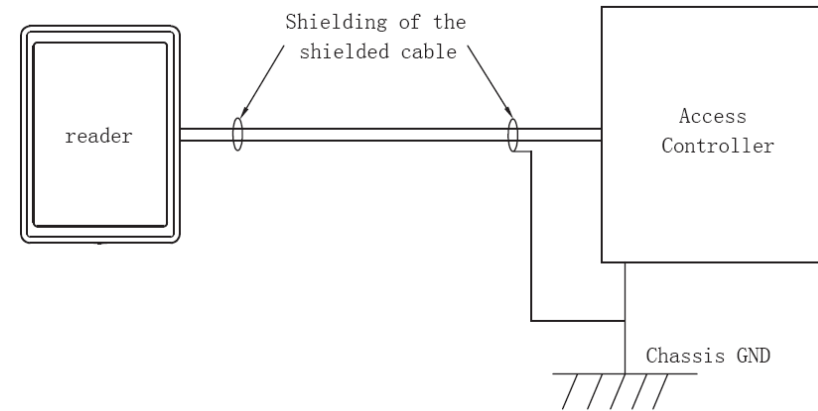
Specification:

| | | | |
|--------------------------------------|-------------|-----------------------------|-------------------------|
| Input Voltage (at Reader end) | DC10V~15V | Typical Read range | > 5cm |
| Operating Current | 160mA (max) | Maximum Cable Length | 150m |
| Operating Temperature | -30°C~70 °C | Number pad format | 4 bits burst by default |

Power up Sequences:

Recommendation:

1. Linear DC Power Supply;
2. 22AWG shielded cable; it's required to do "one-point" ground. (As shown in the diagram)



| Color | Label | Description |
|--------|-----------|---|
| Red | +12V dc | Power Supply to the reader |
| Black | GND | Signal GND |
| Green | Data0 | Wiegand Output data, D0 |
| White | Data1 | Wiegand Output data, D1 |
| Yellow | RED LED | RED LED control, active low. |
| Blue | Green LED | Green LED control, active low |
| Brown | Buzzer | Buzzer input, active low |
| Orange | Tamper | Tamper output (open collector, Active low, max 100mA) |

Wiring:

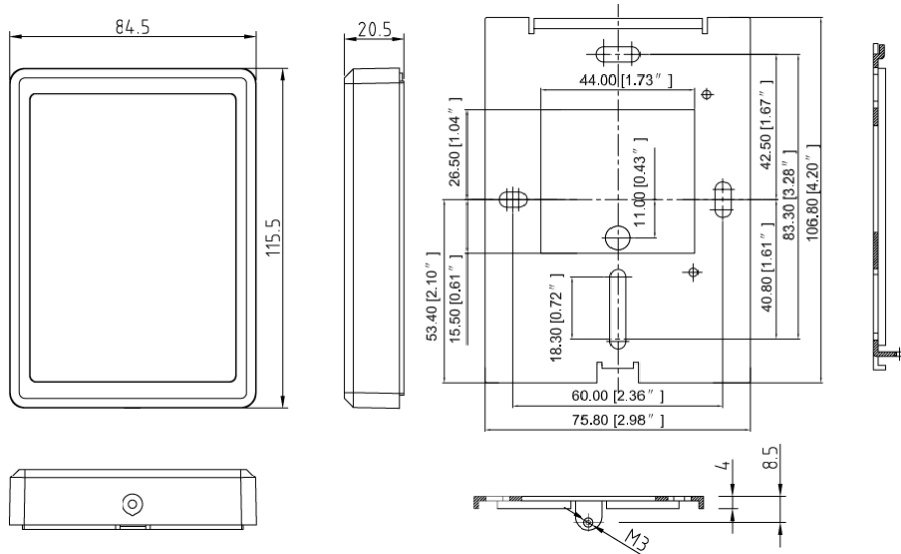
1. When reader is powered up, the Green back will flicker for 5 seconds. The reader will beep

Keypad & Proximity Flash Mount Reader Installation Manual

once and the reader is in Ready mode.

2. Present the card. The Blue LED will flicker once; buzzer will beep once.
3. When card is present and read by the reader, blue back lit will flash once; and buzzer will beep once as well. The card data will then transmit to the controller. After, weather the back lit of the reader will remain ON or Flash or change to Green or Red color, this shall depend on the Green and Red LED inputs.
4. For number pad reader, when a number is pressed and successfully detected, the back lit under the number will flash 1 time and the buzzer will beep once. The number being pressed will burst out by default (4 bits burst).

Physical Dimension:



Troubleshooting:

| Trouble List | Solution |
|------------------------------------|---|
| No Response when Power Up | <ul style="list-style-type: none"> ● Discount the power and confirm that the power supply cable is correctly connected (See "Wiring" above). ● Check the input voltage is sufficient (See "Specifications" above). |
| Auto Restart | <ul style="list-style-type: none"> ● Check the input voltage is sufficient (See "Specifications" above). |
| Cannot read card number correctly | <ul style="list-style-type: none"> ● Check the format setting on the controller if it is the same as the card format. Use approved card (known format and Facility Code) to test. ● Check if the shield cable is correctly connected to Classis Ground at ONE point only. |
| Reader beeps but No card data info | <ul style="list-style-type: none"> ● Check if data 0 & data 1 cable is correctly connected (See "Wiring" above). ● Check the input voltage at the card reader end is correct (See "Specifications" above). |
| Buzzer error | <ul style="list-style-type: none"> ● Check if the buzzer cable is correctly connected (See "Wiring" above). |
| Back Lit Error | <ul style="list-style-type: none"> ● Check the Led cable is correctly connected (See "Wiring" above). ● Use Default Configuration Card to set it back to normal. |

FCC Warning:

Any Changes or modifications not expressly approved by the party responsible for compliance could void the user's authority to operate the equipment.

This device complies with part 15 of the FCC Rules. Operation is subject to the following two conditions: (1) This device may not cause harmful interference, and (2) this device must accept any interference received, including interference that may cause undesired operation.