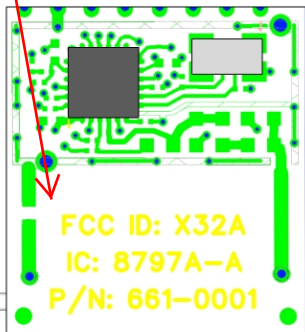


Production Units  
will have labeling  
updated as shown  
here.



**Top View**

Manufacturer's Name

