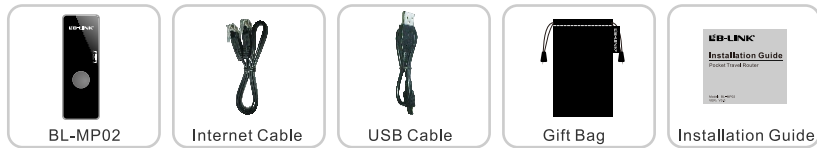


Installation Guide

Pocket Travel Router

Model: BL-MP02
VER: V3.0

Package list:



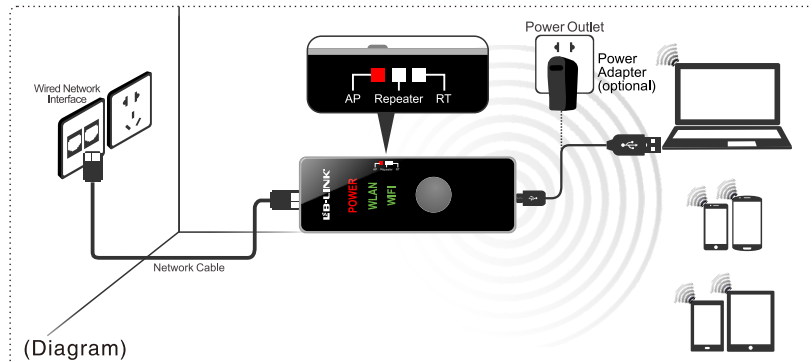
FCC Caution:
Any Changes or modifications not expressly approved by the party responsible for compliance could void the user's authority to operate the equipment.
This device complies with part 15 of the FCC Rules. Operation is subject to the following two conditions:
(1) This device may not cause harmful interference, and
(2) this device must accept any interference received, including interference that may cause undesired operation.

FCC Radiation Exposure Statement:
This equipment complies with FCC radiation exposure limits set forth for an uncontrolled environment. This equipment should be installed and operated with minimum distance 20cm between the radiator & your body.
This transmitter must not be co-located or operating in conjunction with any other antenna or transmitter.

Wireless Access Point

Working on AP mode, BL-MP02 is a wireless transmitter which transfer wired signal into WiFi, so that other WiFi device can share wired signal, such as laptop or mobile phone.

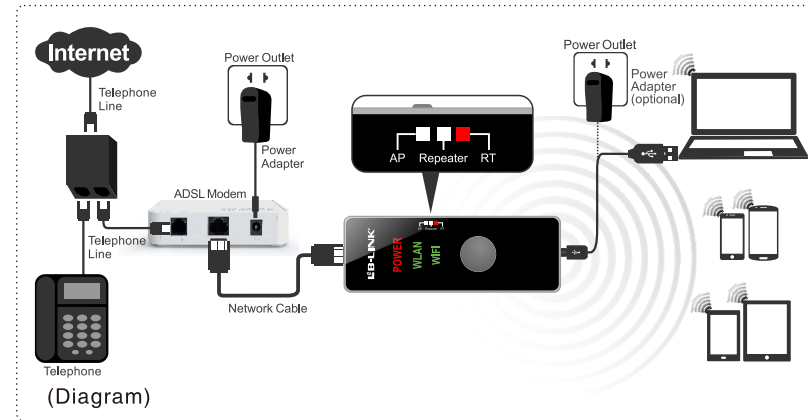
Widely Used in: hotel, school dormitory, etc



Note:
Here it's Plug and Play. If unconnected to the Internet, please contact the network administrator.

Wireless Router

Working on RT mode, BL-MP02 is a wireless router which connect ADSL Modem to dial Internet, so that other WiFi device can share the signal from ADSL modem, such as laptop or mobile phone.
Widely Used in: family, apartment, etc



Steps:

A Turn BL-MP02 to **RT** mode, connecting device according to the above diagram.

B When already set wireless connection, please select "Obtain the IP and DNS automatically".

! If have any questions, please refer to appendix One: IP Settings

C Wireless connection to the BL-MP02, the default SSID: BL-MP02-XXXXXX, X means the last six MAC address.

! If have any questions, please refer to appendix Two: Wireless network connection

D Open the IE browser to log in the WEB management Interface automatically (or input any website in the IE browser field), input User Name and Password to apply. Also you can change the SSID and the Password, refer to the following:

WAN Setup

WAN Connection Type:

- STATIC(fixed IP)
- DHCP(Auto config)
- PPPoE(xDSL)

User Name:

Password:

Verify Password:

Wireless Setup

Network Name(SSID):

Security:

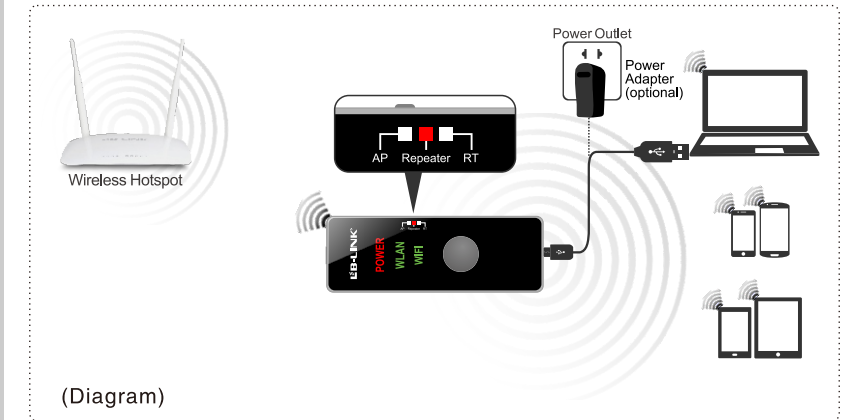
KEY:

Buttons: Apply, Cancel

- Select the third (PPPoE) mode
- Input the User Name provided by ISP
- Input the Password provided by ISP
- Verify the Password again
- Change SSID you like, such as John
- Change the wireless key, the length is more than eight characters
- Click "Apply" to take effect

WiFi Repeater

Working on Repeater mode, BL-MP02 is a WLAN card. Easily amplify, relay and extend the range of weak signal by connect to other device.
Widely Used in: multiple buildings, big room, etc



Steps:

A Turn BL-MP02 to **Repeater** mode, connecting device according to the above diagram.

B When already set wireless connection, please select "Obtain the IP and DNS automatically".

! If have any questions, please refer to appendix One: IP Settings

C Wireless connection to the BL-MP02, the default SSID: BL-MP02-XXXXXX, X means the last six MAC address.

! If have any questions, please refer to appendix Two: Wireless network connection

D Open the IE browser to log in the WEB management Interface automatically (or input any website in the IE browser field), refer to the following:

Site Survey

SSID	BSSID	RSSI	Channel	Encryption	Authentication
Test	48:022a:6b:25:64	100%	9	AES	OPA1PSK/WPA2PSK

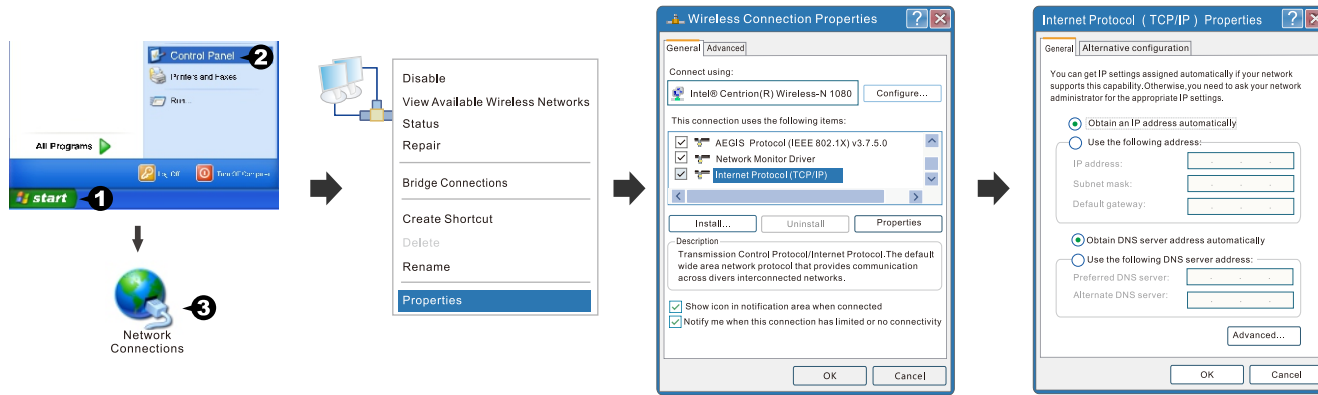
Buttons: Connect, Rescan

- Choose the SSID you need. If not in the list, please click "Rescan"
- Click "connect", if the router has encryption, please input the previous setting key, the equipment will take effect after restarting automatically
- When there shows an icon connected, it means access to wireless network successfully

Appendix One: IP Settings

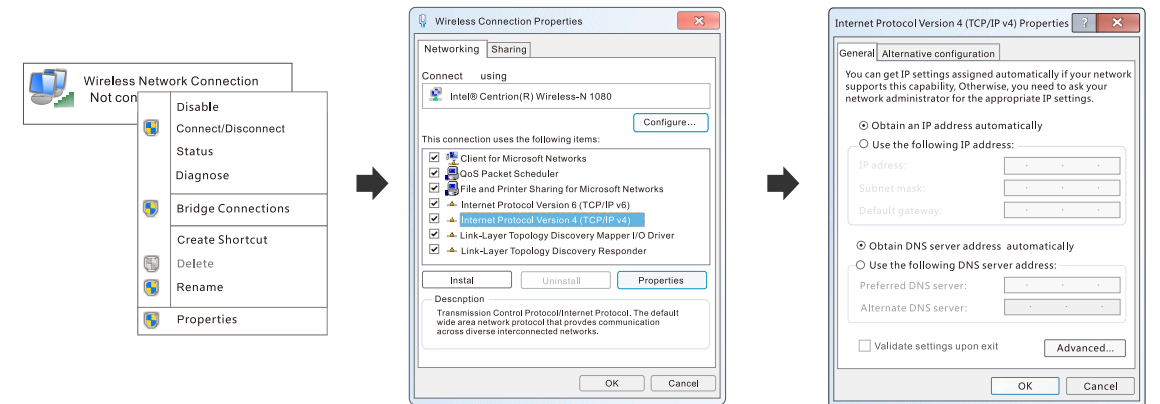
Windows XP please follow the steps to set up

- A** Click "Start", select "Control Panel", and open "Network Connections".
- B** Right-click your Wireless Network Connection and select "Properties".
- C** Double click on "Internet Protocol (TCP/IP)".
- D** Make sure that your computer has selected "Obtain an IP address automatically" and "Obtain DNS server address automatically", then click "OK" twice to close the windows.



Windows 7 please follow the steps to set up

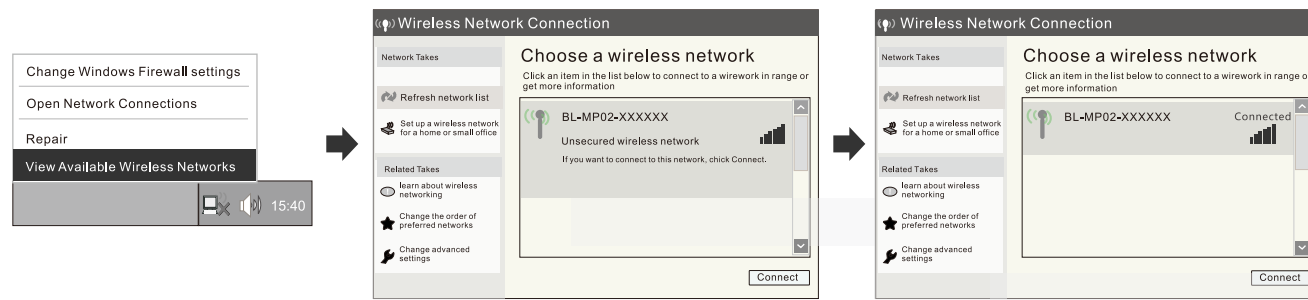
- A** Click "Start", then open "Control Panel". Select "Network and Internet" and open "Network and Sharing Center". Choose "Change Adapter Settings", right-click "Wireless Network Connection", and click on "Properties".
- B** Double click on "Internet Protocol Version 4(TCP/IPv4)".
- C** Make sure that your computer has selected "Obtain an IP address automatically" and "Obtain DNS server address automatically", then click "OK" twice to close the windows.



Appendix Two: Wireless network connection

Windows XP please follow the steps to set up

- A** Right-click the icon which is at the right-bottom corner of your start bar. In the menu, choose "View Available Wireless Networks".
- B** Click "Refresh Network List", find "BL-MP02-XXXXXX" and click "Connect".
- C** When the screen shows "Connected", it means that your computer has connected to the wireless network successfully.



Windows 7 please follow the steps to set up

- A** Click on the lower right of the menu for the wireless icon, which will show a list of wireless networks to select.
- B** Select the "BL-MP02-XXXXXX" Network and then click on the connect button.
- C** When the screen shows "Connected", then your computer has connected to the wireless network successfully.

