

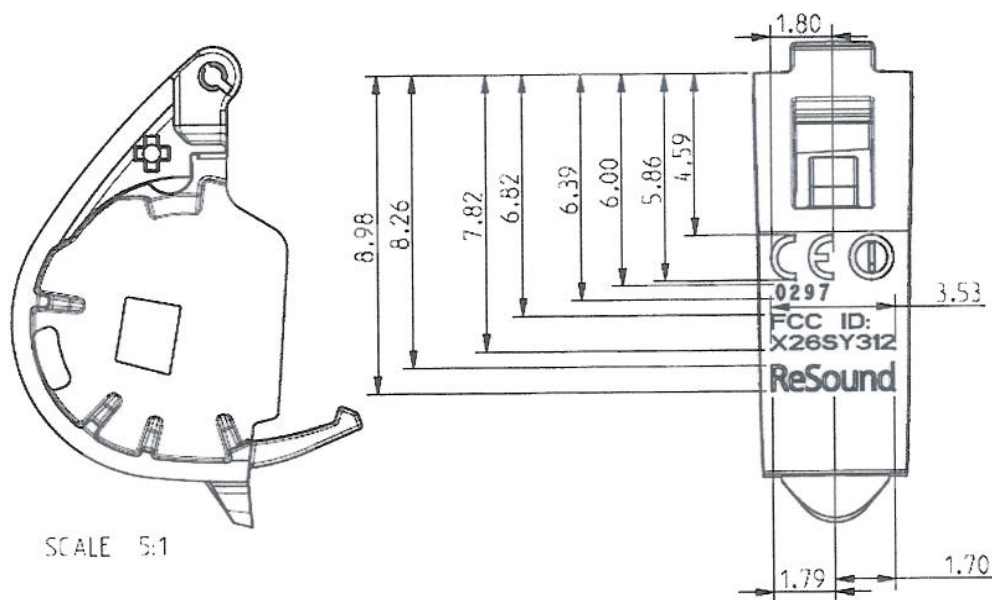
June 28th 2010
Attn: Reviewing Engineer
Federal Communications Commission
7435 Oakland Mills Road
Columbia, MD 21046

Re: Class II permissive change for SY312 (FCC ID: X26SY312)

To whom it may concern:

This letter serves as an official request for a Class II permissive change under §2.1043 and KDB 178919.

After production of the first batch of SY312 with the FCC ID number printed on the enclosure as described in the original filing (and shown in the picture below), it is clear that the text is too small to be legible. We do not want to confuse our end users with unnecessary unreadable text on the enclosure of the device.



The FCC ID number is already placed on page 2 of the user manual.

We hereby ask for a removal of the requirement to place the FCC ID number on the enclosure of the device itself, as the device is too small for the FCC ID to be readable. And to update the existing filing under the permissive change rules.

This minor change to the enclosure can not affect the EMC and radio performance or the RF exposure conditions for the device.

Sincerely,


Lars Hagander
Vice President Corporate Quality
GN Hearing A/S