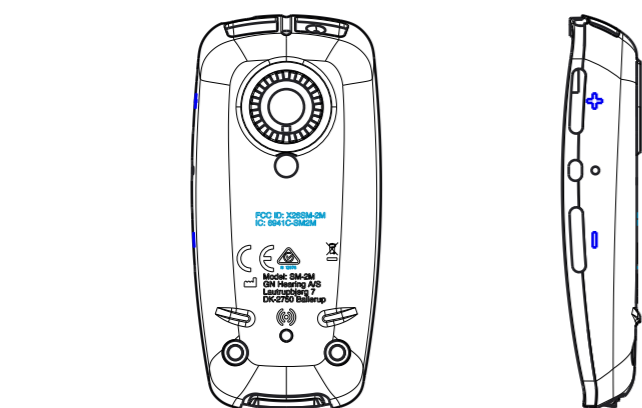
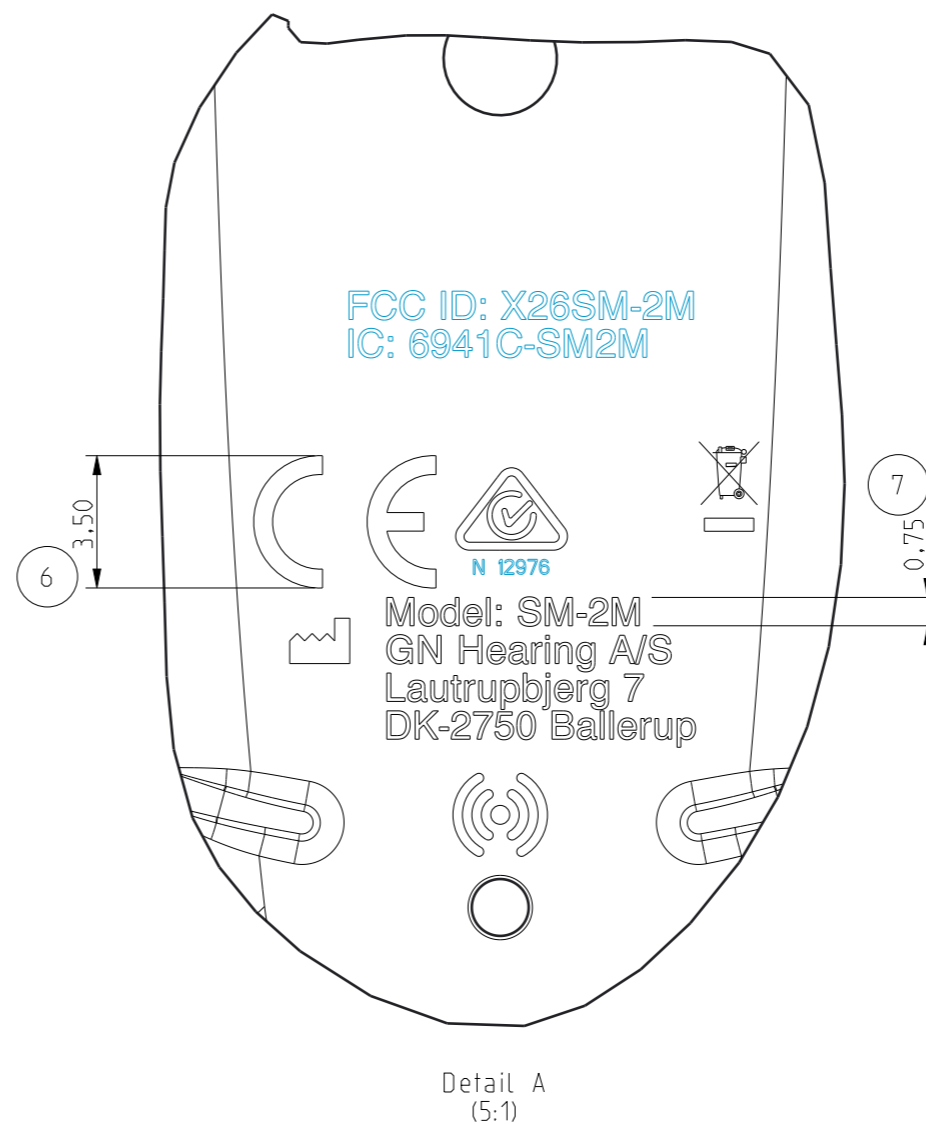
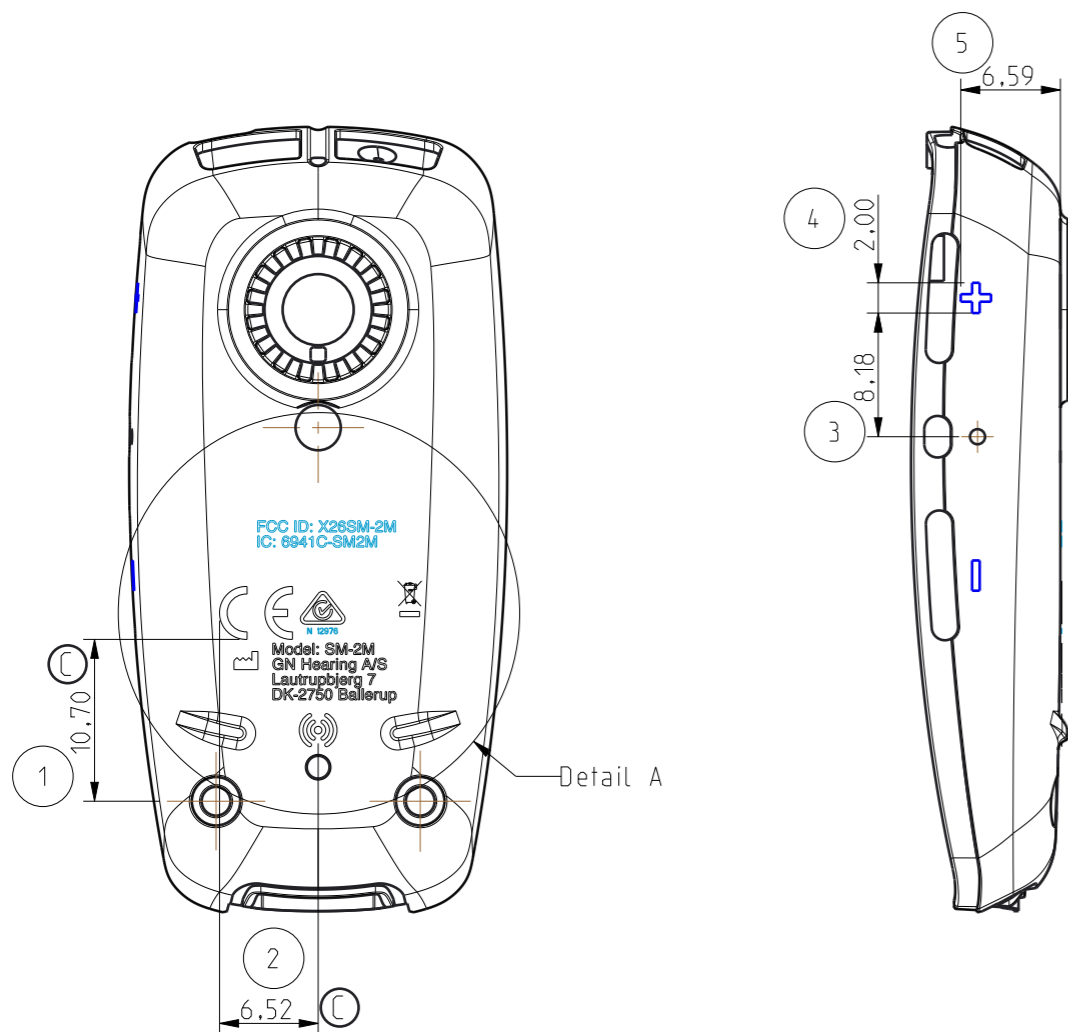


Drw. Rev.	Description	Date (dd.mm.yyyy)	Updated by
A	Released	03.12.2015	leajoe



SCALE 1:1

- Notes:
1. Text/symbols shown on drawing is "outline", but should be "filled" during marking.
 2. General tolerances on dimensions are ± 0.10 mm, if nothing else is specified.
 3. Dimensions indicated by a \odot are process control dimensions. There are 2 process control dimensions on this drawing.
 4. Dimensions indicated by a \oplus are critical dimensions for function or assembly. There are 0 critical dimensions for function or assembly on this drawing.
 5. Cosmetic specifications are defined in GN ReSound documents 0007510 (Corporate cosmetic insp. proc.)
 6. See BOM for color and material details.
 7. The following dimensions have been deleted from the drawing: None

LEVEL	INDEX	QTY	PART NUMBER	DESCRIPTION 1	DESCRIPTION 2
	1	1	1957810	COV BK,SM-2M,PNT	

Projection:	DRW size: A3	Design site: CPH	Drw Rev: A. 4
Unit: mm	Scale: 2:1	Designed by: REL	
Drawing Name: COV BK,SM-2M,PTD	Sheet: 1 of 1	Design Date: 03-Dec-15	Drawing Number: 1957850

