

SAS-4 Antenna Diagram

Manufacturer: GN Hearing A/S

Device Type : SAS-4

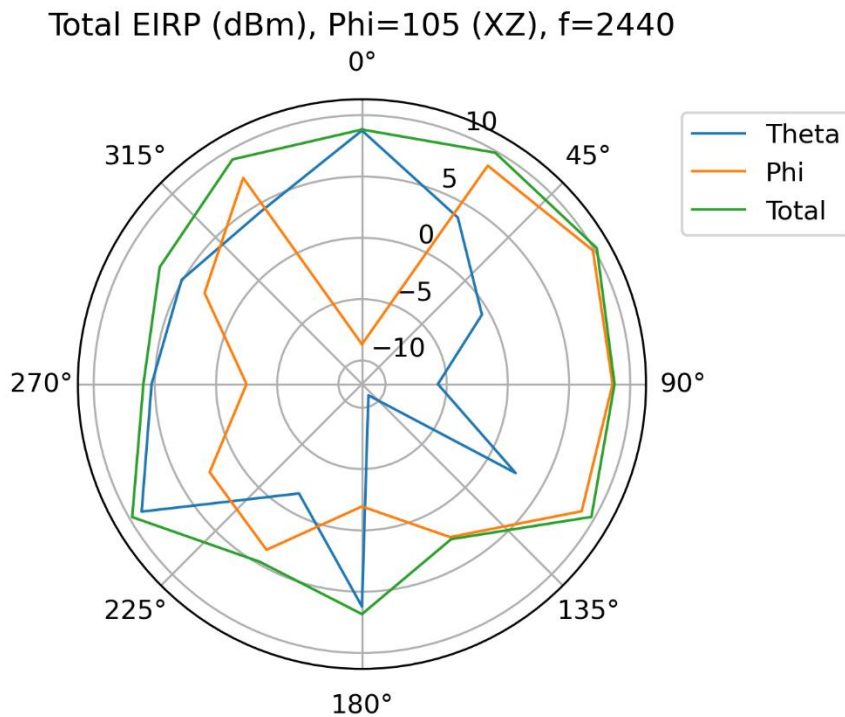
Antenna type: 2192549rA

Max. antenna gain: 2 dBi

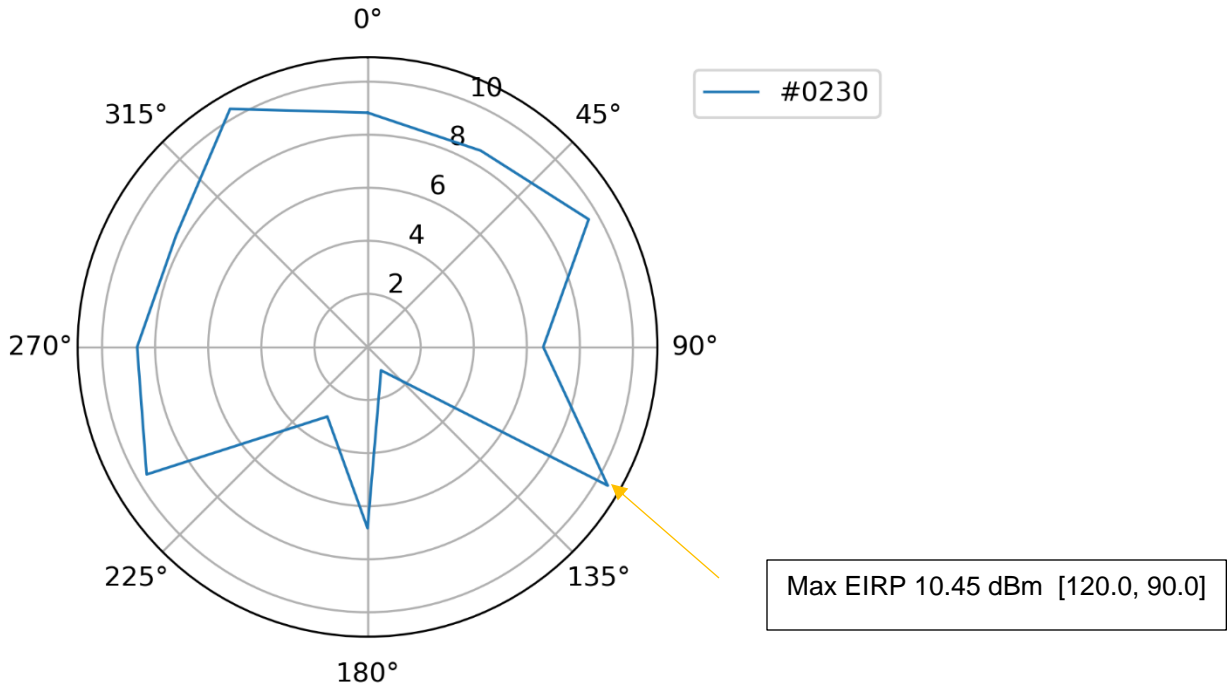
Frequency range 2402 – 2480 MHz

Antenna construction: Integral antenna

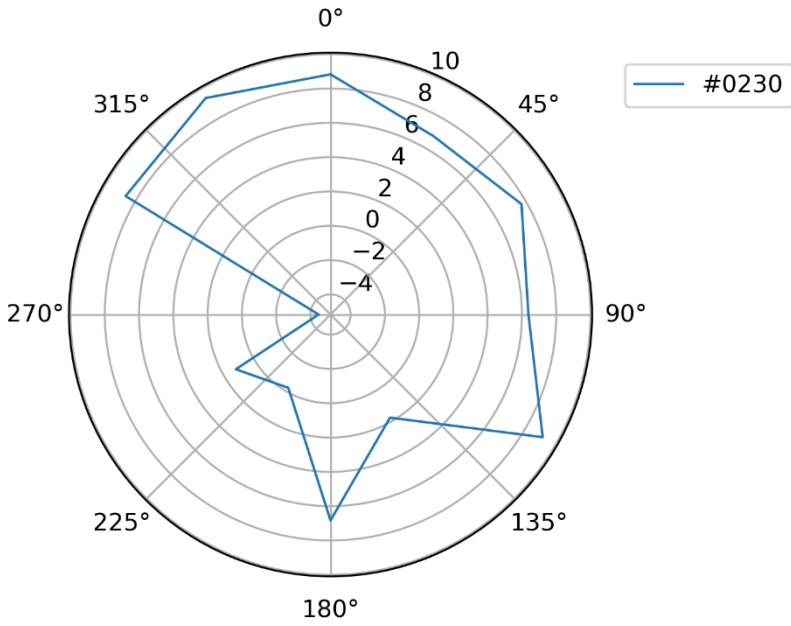
Antenna Diagram



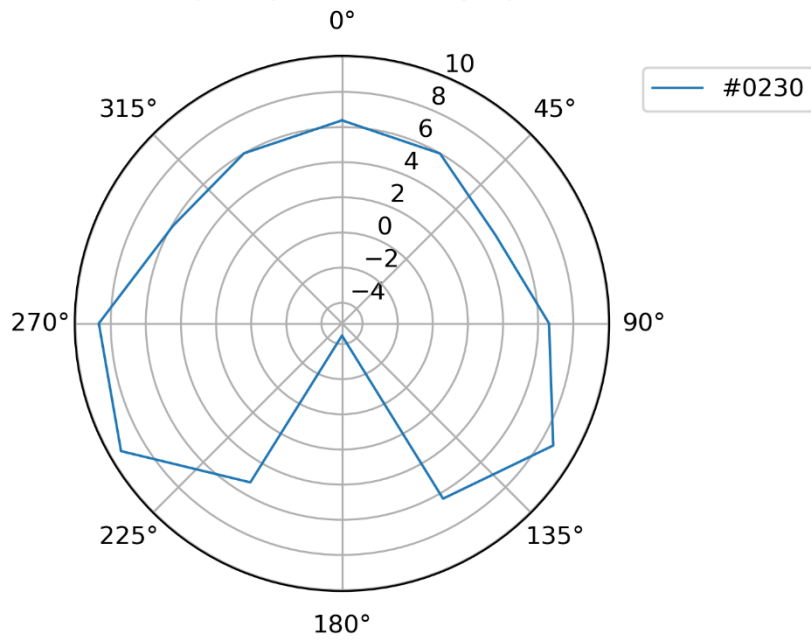
Total EIRP (dBm), Phi=90 (YZ), f=2440



Total EIRP (dBm), Phi=0 (XZ), f=2440



Total EIRP (dBm), Theta=90 (XY), f=2440



f [MHz]	Max EIRP (dBm)	Max EIRP Angle (Theta, Phi)
2404	10.03	[30.0, 270.0]
2440	10.45	[120.0, 90.0]
2478	10.10	[60.0, 120.0]