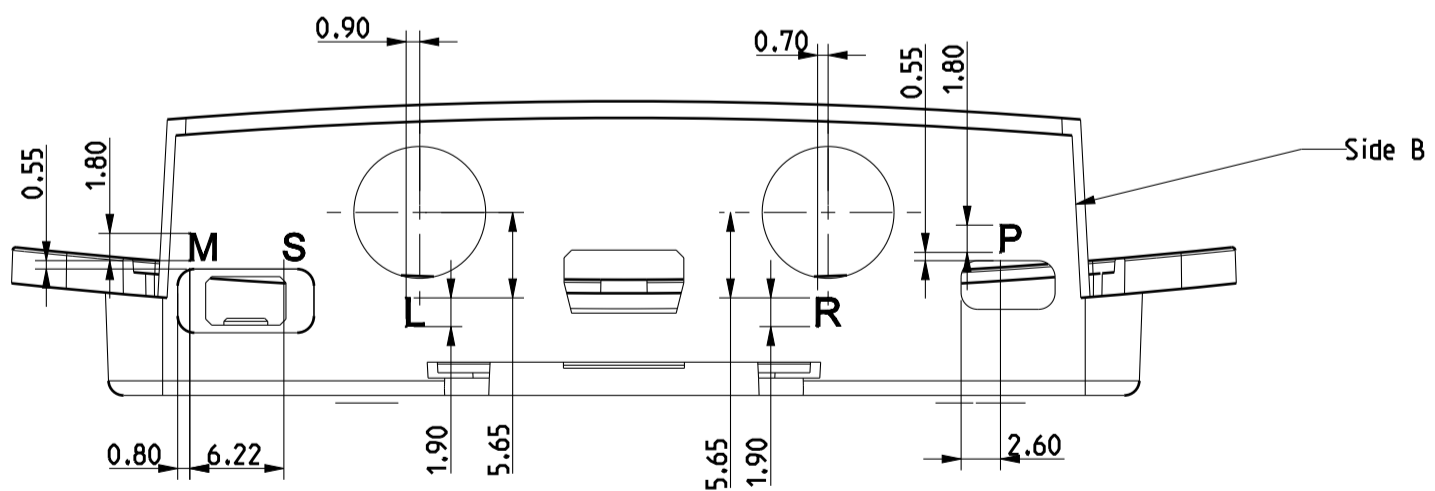
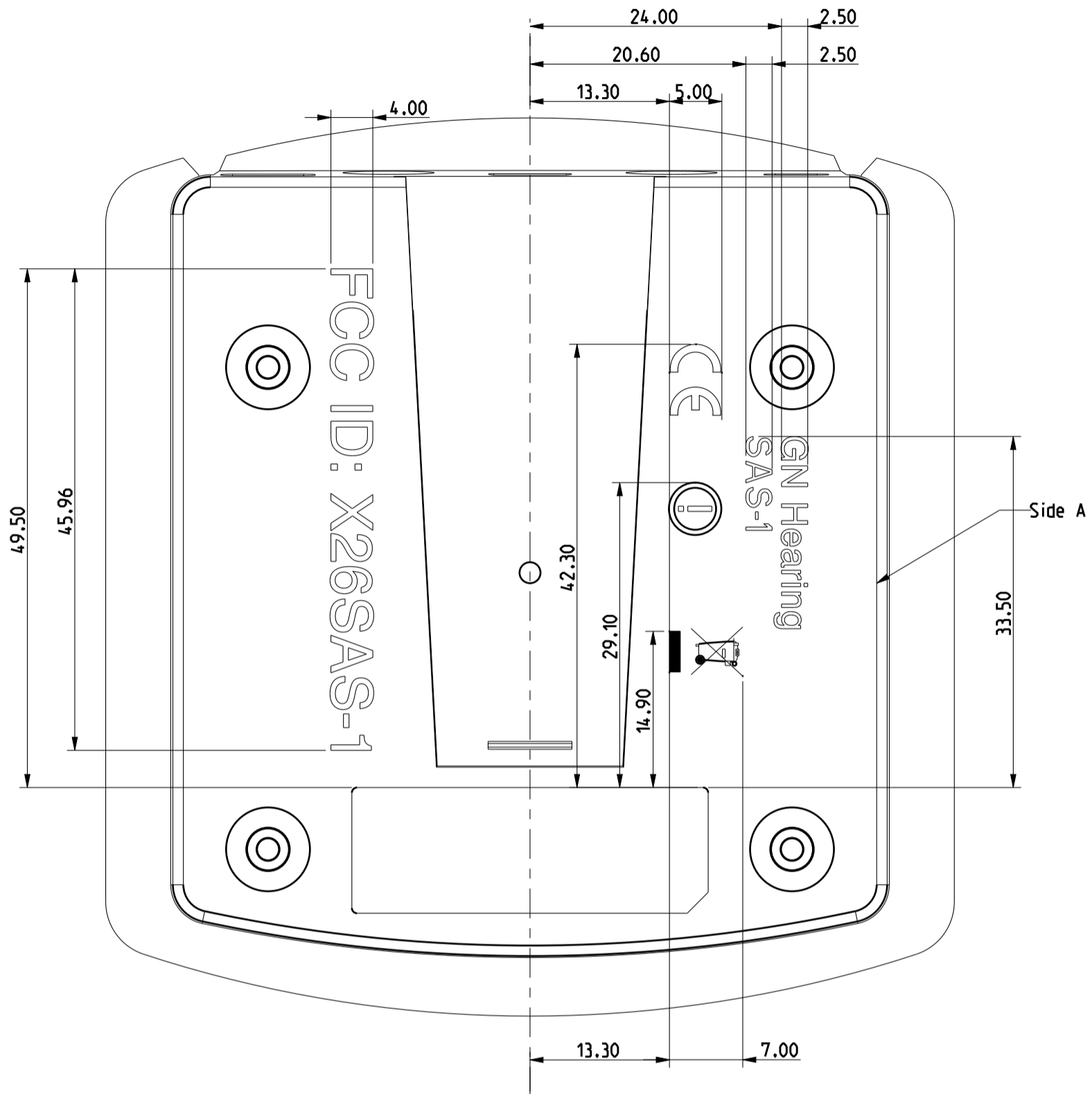


Rev.	CHG. #	Description	Date	Design	Checked
05	--	Update height of letters	24.02.2010	JZHENG	BVA
06	--	Update notes: define the color of letters	02.03.2010	JZHENG	BVA
07	--	Update letters of FCC & FCC ID	12.04.2010	JZHENG	BVA



Notes:

Pad print color:

1. The color for letters on side A is Grey (Pantone 422 light grey).

2. The color for letters on side B is Black (Pantone Process Black).

This item will be used in electric or electronic equipment. The supplier warrants and represents that the item is, and at all times will be, in compliance with international regulations regarding substances with environmental impact, including but not limited to the RoHS Directive 2002/95 of the European parliament and of the Council.

Unless otherwise specified		
Angular: ±°	Linear: ±0.10	Symetric: 0.1

GN ReSound
Xiamen, China

Design:	JZHENG
Status:	Development
Date:	12.04.2010
Material:	--
Checked:	BVA
Name:	BOT COVER, PTD, SAS

Projection	DRW. size: A3
Units: mm.	Scale: 2:1
Drawing Number:	Sheet: 1 of 1
1728940	Revision: 07