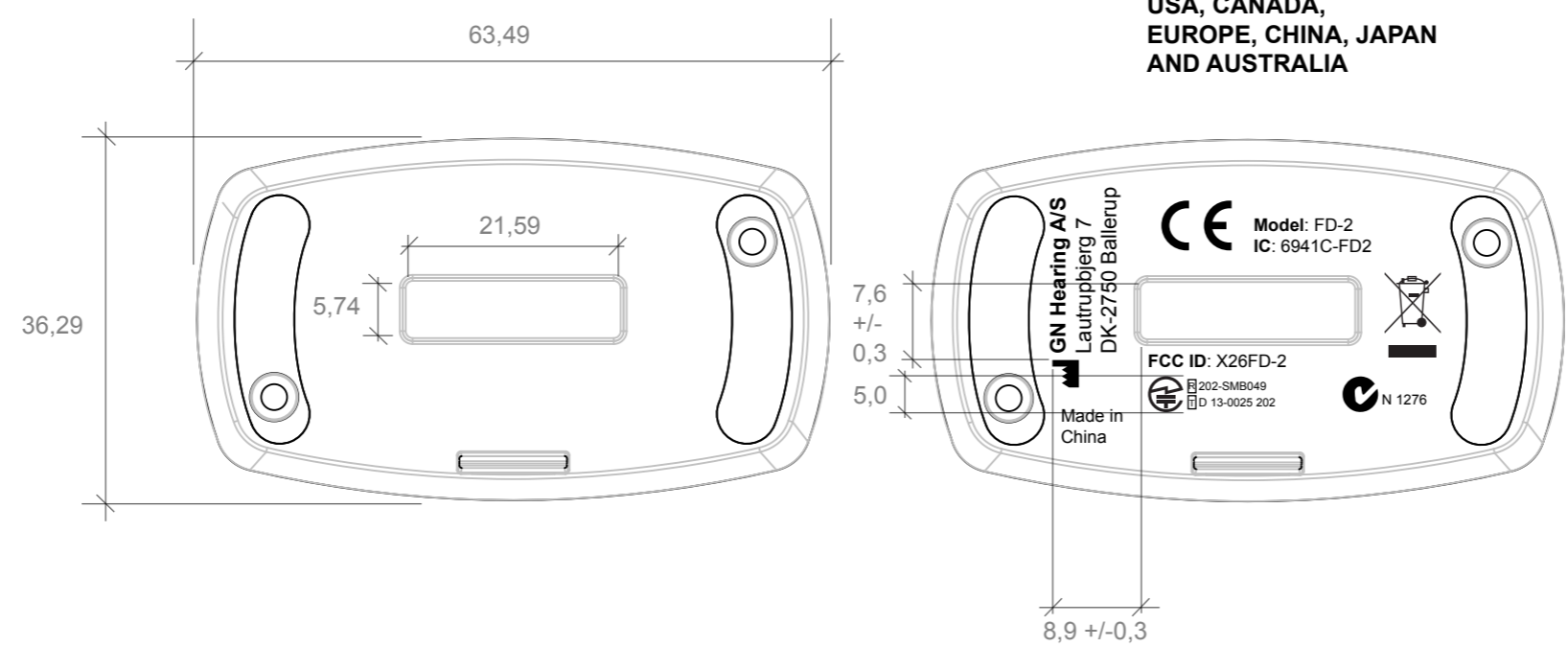


Drw Rev.	CHG.#	Description	Date	Design	Checked
A	ECO 46577	Release for production	07 05 2013	TBJ	



Remaining text should be pad printed

All measurements are in millimeters

This item will be used in electric or electronic equipment. The supplier warrants and represents that the item is, and at all times will be, in compliance with international regulations regarding substances with environmental impact, including but not limited to the RoHS Directive 2002/95 of the European parliament and of the Council.

Unless otherwise specified			Part Revision:	Status: Released	Projection:	DRW. size: A3
Angular: ±1°	Linear: ±0.05 mm	Symetric: 0.05 mm	Drw Revision:	Material: PAD PRNT INK, PANT 422,LHT GREY	Units: mm.	Scale: 1:1
Xiamen, China			Name: BOTTOM PTD AIRLINK2	Drawing Number: 1882430		