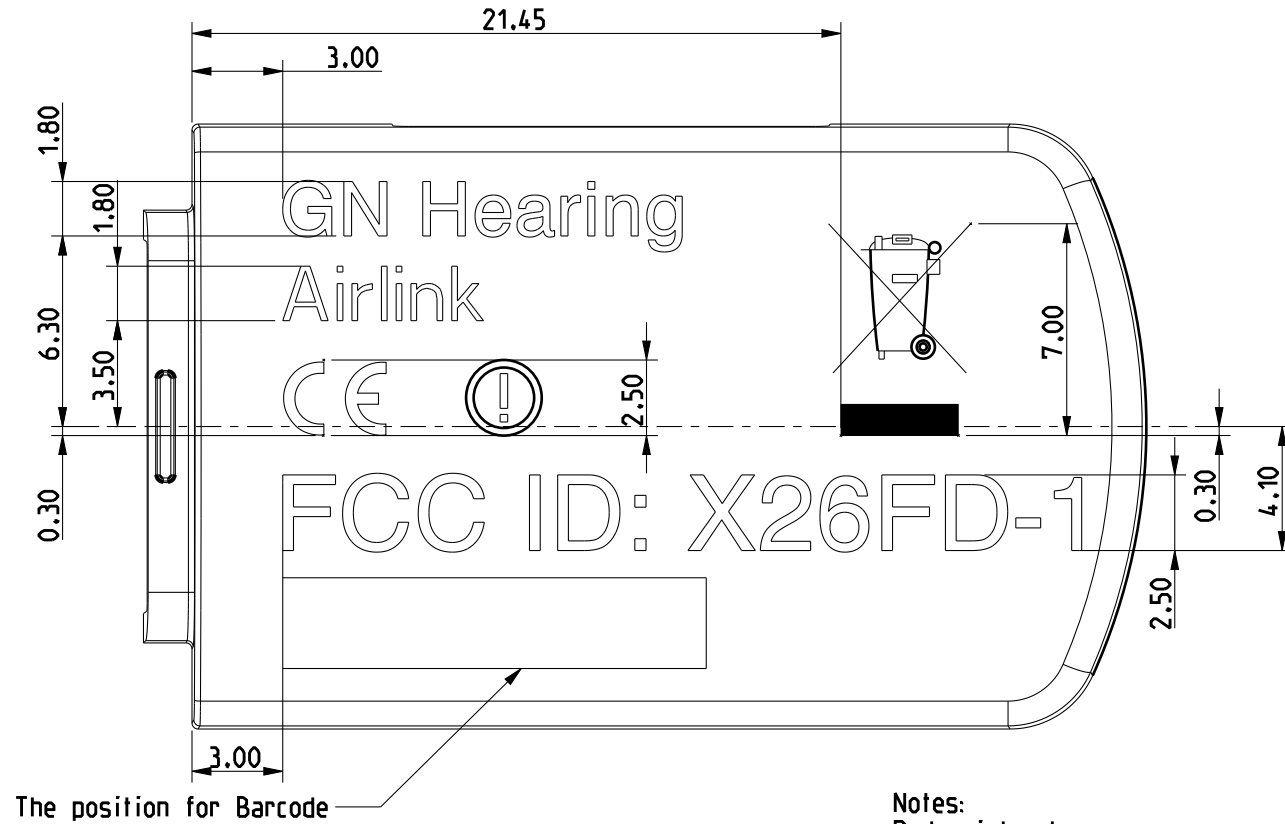


Rev.	CHG. #	Description	Date	Design	Checked
05	--	Update height of letters.	22.02.2010	JZHENG	BVA
06	--	Update notes: define the color of letters	24.02.2010	JZHENG	BVA
07	--	Update letter of FCC & FCC ID	12.04.2010	JZHENG	BVA



Notes:
 Pad print color:
 1. The color for letters is Grey (Pantone 422 light grey).

This item will be used in electric or electronic equipment. The supplier warrants and represents that the item is, and at all times will be, in compliance with international regulations regarding substances with environmental impact, including but not limited to the RoHS Directive 2002/95 of the European parliament and of the Council.

Unless otherwise specified			Design: JZHENG		Projection	DRW. size: A4
Angular: $\pm 1^\circ$	Linear: ± 0.1	Symetric: 0.1	Status: Development	Date: 12.04.2010		Scale: 4:1
			Material: --	Checked: BVA	Units: mm.	Sheet: 1 of 1
 Xiamen, China			Name: BOT COVER PTD, USB FD		Drawing Number: 1728850	
					Revision: 07	