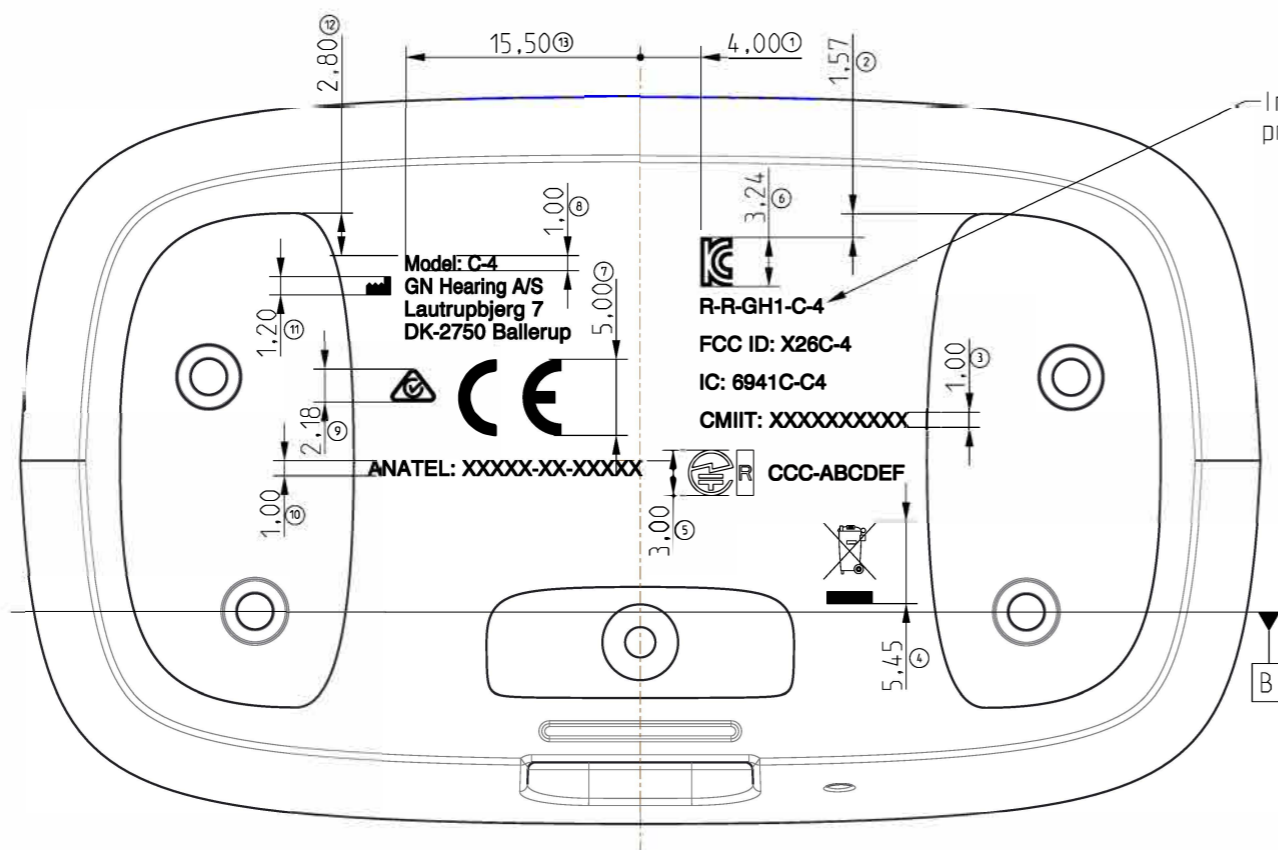
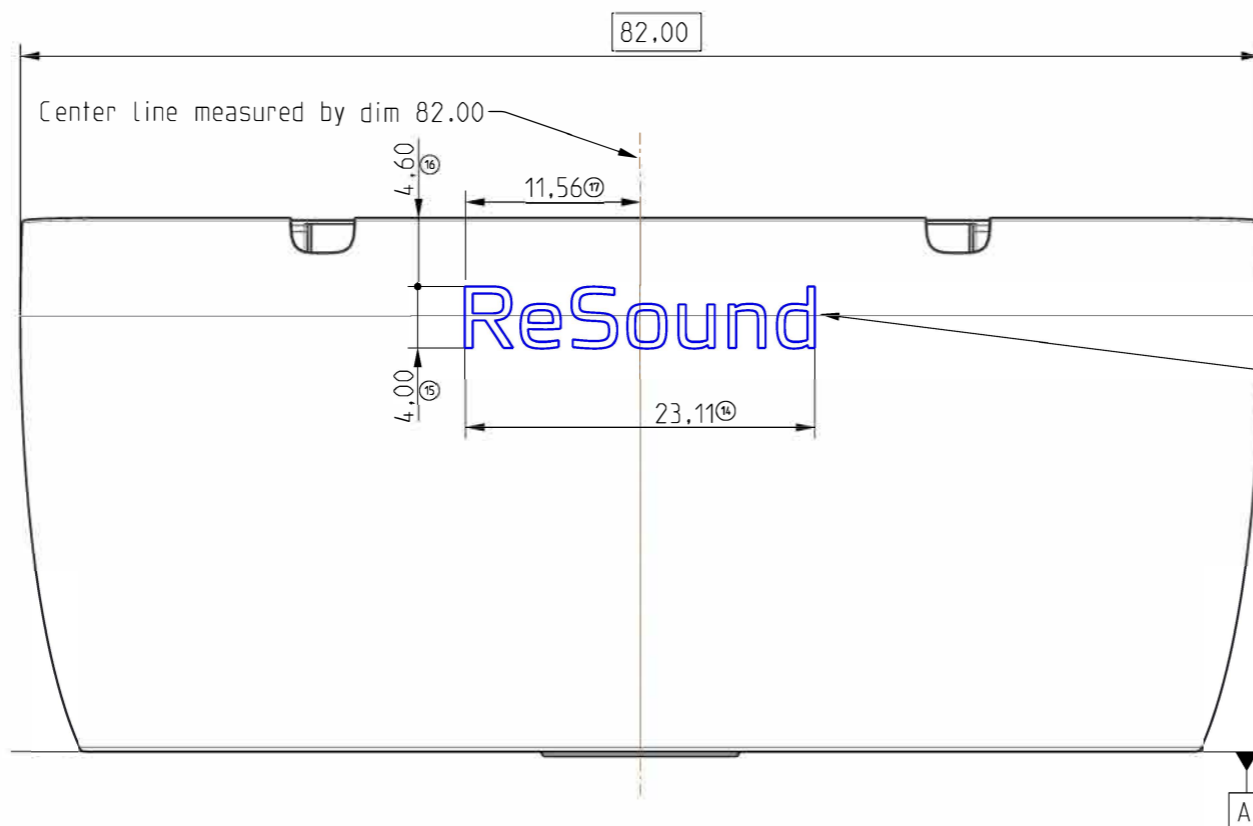


Drw. Rev.	Description	Date (dd.mm.yyyy)	Updated by
01	First released.	20.04.2021	ALU



Information in part bottom side is print with White color

For Evaluation and Quotation only



Logo in front side is print with Black color

Notes:

1. Text shown on drawing is "outline", but should be "filled" during marking.
2. General tolerances on dimensions are ± 0.20 mm unless otherwise specified.
3. Cosmetic specifications are defined in GN ReSound documents 0007510 (Corporate cosmetic insp. proc.)
4. See BOM for color and material.
5. The following dimensions have been deleted from the drawing: None
6. Measurement planes for the part are defined by the Datum reference frame: A B

Remark:
For other spec. of the part, please find Drawing 2194080.

<p>GN Hearing A/S</p>	Projection:	DRW size: A3	Design site: XMN	Drw Rev: 01. 5
	Unit: mm	Scale: 2:1	Designed by: LCH	
	Drawing Name: C-4_HSG BOT,AP7,PTD,RS	Sheet: 1 of 1	Design Date: 23-Apr-21	Drawing Number: 2194070