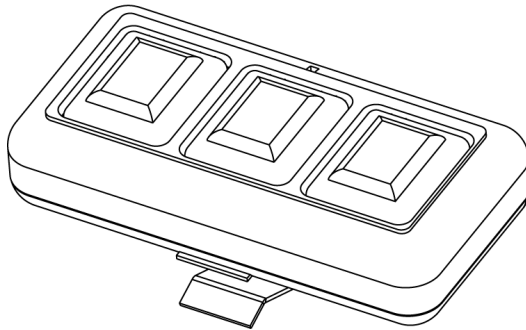
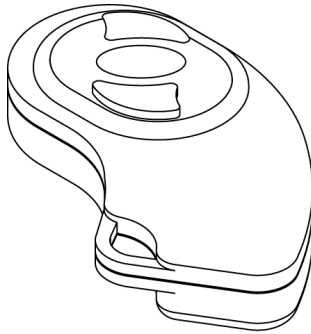


C-Bus™ RF Wireless Key Fob and Visor Remote

SLC5800TXBDKF and SLC5800TXBDVR for use with
RF Wireless Control Systems

Instruction Bulletin
Retain for future use.



HAZARD CATEGORIES AND SPECIAL SYMBOLS

Read these instructions carefully and look at the equipment to become familiar with the device before trying to install, operate, service, or maintain it. The following special messages may appear throughout this bulletin or on the equipment to warn of potential hazards or to call attention to information that clarifies or simplifies a procedure.



The addition of either symbol to a “Danger” or “Warning” safety label indicates that an electrical hazard exists which will result in personal injury if the instructions are not followed.



This is the safety alert symbol. It is used to alert you to potential personal injury hazards. Obey all safety messages that follow this symbol to avoid possible injury or death.

DANGER

Danger indicates an immediately hazardous situation which, if not avoided, will result in death or serious injury.

WARNING

Warning indicates a potentially hazardous situation which, if not avoided, can result in death or serious injury.

CAUTION

Caution indicates a potentially hazardous situation which, if not avoided, can result in minor or moderate injury.

CAUTION

Caution, used without the safety alert symbol, indicates a potentially hazardous situation which, if not avoided, can result in property damage or improper operation.

NOTE: Provides additional information to clarify or simplify a procedure.

PLEASE NOTE

Electrical equipment should be installed, operated, serviced, and maintained only by qualified personnel. This document is not intended as an instruction manual for untrained persons. No responsibility is assumed by Schneider Electric for any consequences arising out of the use of this manual.

FCC CLASS B

This device complies with Part 15 of the FCC Rules. Operation is subject to the following two conditions: (1) this device may not cause harmful interference, and (2) this device must accept any interference received, including interference that may cause undesired operation.

This equipment has been tested and found to comply with the limits for a Class B digital device, pursuant to Part 15 of the FCC Rules. These limits are designed to provide reasonable protection against harmful interference in a residential installation. This equipment generates, uses, and can radiate radio frequency energy and, if not installed and used in accordance with the instructions, may cause harmful interference to radio communications. However, there is no guarantee that interference will not occur in a particular installation. If this equipment does cause harmful interference to radio or television reception, which can be determined by turning the equipment off and on, the user is encouraged to try to correct the interference by one or more of the following measures:

- Reorient or relocate the receiving antenna.
- Increase the separation between the equipment and receiver.
- Connect the equipment into an outlet on a circuit different from that to which the receiver is connected.
- Consult the dealer or an experienced radio/TV technician for help.

Changes or modifications to this device that are not expressly approved by Schneider Electric could void the user's authority to operate this equipment.

ABOUT THE RF KEY FOB AND VISOR REMOTE

The C-Bus™ Wireless RF Key Fob and Visor Remote provides C-Bus protocol commands to remotely controlled buttons on RF wireless wall units and plug adapter units.

The two radio frequency (RF) remote controls work up to 50 to 70 feet (15 to 20 meters) from a unit they control. Unlike an infrared remote, which operates on line-of-sight, an RF remote signal cannot be blocked by obstructions. The user can control a unit by pointing a remote in any direction, including away from the unit.

Up to three separate wall units or plug adapter buttons can be controlled by a remote control unit. The buttons can be on various units on different wireless networks. A single button on a wall unit or plug adapter unit can be controlled by up to two RF remote controls.

Before You Begin

Before using the key fob and visor remote, inspect it carefully. Verify the catalog number on the box label.

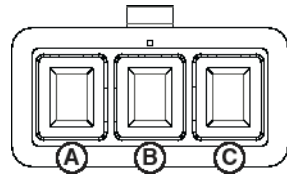
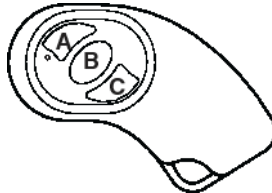
Table 1: Contents of the Box

Part Number	Description	Quantity
SLC5800TXBDVR	RF Wireless Visor Remote Control	1
SLC5800TXBDKF	RF Wireless Key Fob	1

REMOTE CONTROL BUTTONS

KEY:

Buttons A, B, and C are individual programmable control buttons. Each button controls a wall unit or a plug adapter button.



INSTALLING THE BATTERIES

Battery Tips and Precautions

- Use new CR2032 batteries and verify that all batteries are the same type.
- Keep batteries out of the reach of children.
- Verify that the positive (+) and negative (–) battery polarities line up with the battery-case polarities.
- Replace batteries that have been in use two or more years. Recycle or properly dispose of used batteries.
- Try changing the batteries if your remote does not control units. The remote's range decreases when the batteries' power is low.
- NOTE: The Short name will not lose programmed data when the batteries are replaced.

WARNING

FIRE OR CHEMICAL HAZARD

The batteries used in this unit may present a risk of fire or chemical burn if not handled properly.

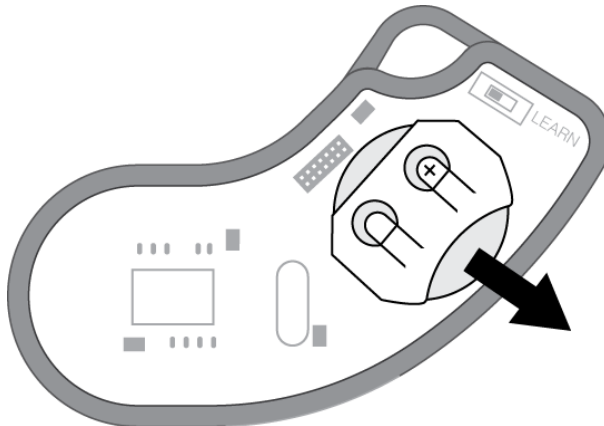
- Do not recharge, disassemble, heat above 212 °F (100 °C), or incinerate.
- Recycle or properly dispose of used batteries.
- Replace with identical type.
- Follow all battery manufacturers' instructions.

Failure to follow these instructions can result in injury or equipment damage.

Key Fob Battery Installation

1. Using a small flat-head screw driver, gently pry off the bottom of the key fob.
2. Remove the old battery from the key fob.
3. Insert the new battery. Verify that the positive and negative terminals match the symbols inside the battery compartment.
4. Replace the back cover by positioning the cover and snapping it into place.

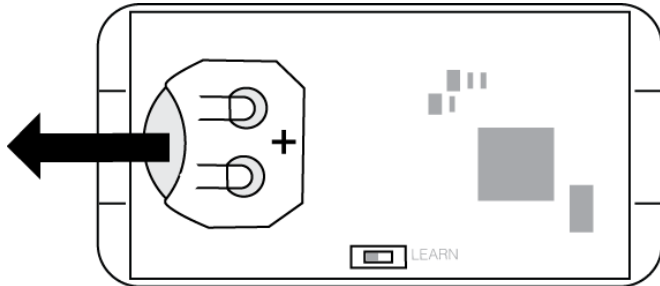
Figure 1: Removing the Key Fob Battery



Visor Remote Battery Installation

1. Using a small Phillips screw driver, remove the two screws from the back of the visor remote.
2. Remove the back of the visor remote.
3. Remove the old battery from the visor remote.
4. Insert the new battery. Verify that the positive and negative terminals match the symbols inside the battery compartment.
5. Replace the back cover by positioning the cover and snapping it into place.
6. Tighten the screws on the back of the visor remote.

Figure 2: Removing the Visor Remote Battery



PROGRAMMING THE KEY FOB

Follow the guidelines below to make the Key Fob functional.

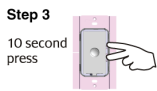
- Program C-Bus Wireless units to recognize the key fob's buttons.
- Program the key fob, wall units, and plug adapter units using learn mode.

Learn mode is activated on the remote by removing the back cover (see the "Installing the Batteries" section to remove the back cover), and sliding the switch down to the Learn position. Refer to the steps below to activate learn mode and to program the key fob.



Use the following procedure to assign a button on the key fob to a button on a C-Bus Wireless wall unit or plug adapter unit:

NOTE: Assigning a button on the key fob to a button on a C-Bus Wireless unit does not unlearn previous assignments to other units. To do this, follow the instructions in the "Clearing Remote Assignments" section.



1. Set the key fob to learn mode by sliding the switch across to the Learn position.
2. Replace the back cover.
3. On the wall unit, press the Learn button to activate learn mode.
4. On the key fob, press the button you want to assign.
5. Quickly press the button on the wall unit you want the key fob to control (within 30 seconds of pressing the remote button).



NOTE: All units on the network will enter Learn mode at this time.



6. Repeat steps 4 and 5 to program additional buttons.
7. When you have finished programming the key fob buttons, press the learn button on the wall unit to exit learn mode.
8. Remove the back cover on the key fob, slide the learn mode switch on the back to the Use position, then replace the back cover.

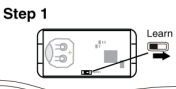


PROGRAMMING THE VISOR REMOTE

Follow the guidelines below to make the Visor Remote functional.

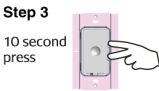
- Program C-Bus Wireless units to recognize the visor remote's buttons.
- Program the visor remote, wall units, and plug adapter units using learn mode.

Learn mode is activated on the remote by removing the back cover (see the "Installing the Batteries" section to remove the back cover), and sliding the switch down to the Learn position. Refer to the steps below to activate learn mode and to program the visor remote.

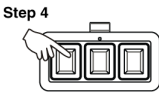


Use the following procedure to assign a button on the visor remote to a button on a C-Bus Wireless wall unit or plug adapter unit:

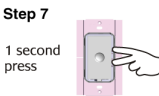
NOTE: Assigning a button on the visor remote to a button on a C-Bus Wireless unit does not unlearn previous assignments to other units. To do this, follow the instructions in the "Clearing Remote Assignments" section.



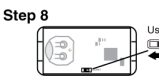
1. Set the visor remote to learn mode by sliding the switch across to the Learn position.
2. Replace the back cover.
3. On the wall unit, press the Learn button to activate learn mode.
4. On the visor remote, press the button you want to assign.
5. Quickly press the button on the wall unit you want the visor remote to control (within 30 seconds of pressing the remote button).



NOTE: All units on the network will enter Learn mode at this time.



6. Repeat steps 4 and 5 to program additional buttons.
7. When you have finished programming the visor remote buttons, press the learn button on the wall unit to exit learn mode.
8. Remove the back cover on the visor remote, slide the learn mode switch on the back to the Use position, then replace the back cover.



CLEARING REMOTE ASSIGNMENTS

To clear an individual remote assignment learned by a specific button on a wall unit or plug adapter unit, reassign the same remote button to the wall unit or plug adapter button. Assigning a button once programs it. Assigning it again clears it.

To clear all remote assignments (from all remote controls) learned by an individual wall unit or plug adapter unit:

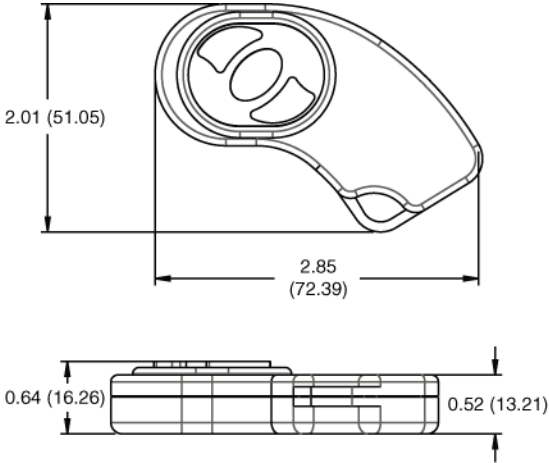
1. Set the remote control to learn mode by sliding the switch across to the Learn position.
2. On the wall unit or plug adapter unit, press the learn button to activate learn mode.
3. Press one of the assignable buttons on the remote control.
4. Press twice one of the buttons on the wall unit or plug adapter unit.
5. Wait until the indicator lights on the wall unit return to a slow alternating flash. Then press the learn button on the wall unit or plug adapter to exit learn mode.
6. Slide the learn mode switch on the back to the Use position.

SPECIFICATIONS

Parameter	Description
Supply voltage	CR2032 batteries
Radio frequency	916 MHz
Transmitting power	10 mW
Typical range (range depends on building construction and the proximity to dense or metallic objects)	Wood frame / brick veneer construction 50 to 70 feet (15 to 20 m) Brick, stone, or steel frame construction 35 to 50 feet (10 to 15 m) Steel reinforced concrete construction 20 to 35 feet (5 to 10 m)
Maximum range (open air)	165 feet (50 m)
Operating temperature range	32 to 104 °F (0 to 40 °C)
Operating humidity range	10 to 95% RH

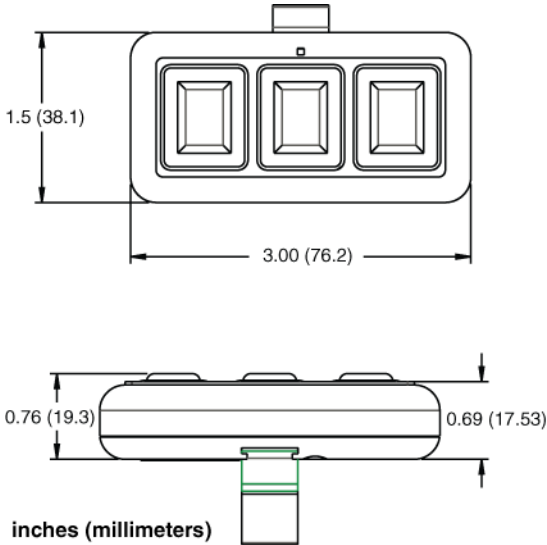
DIMENSIONS

Figure 3: Key Fob Dimensions



inches (millimeters)

Figure 4: Visor Remote Dimensions




inches (millimeters)

STANDARDS

The key fob and visor remote complies with the following Standards:

Table 2: U.S. and Canadian Product Safety Standards and U.S. FCC Regulations

Standards/Regulations	Title
 FCC Part 15	Class B Digital Device for Home or Office Use

SUPPORT AND SERVICE

Contact the Customer Information Center for technical support by phone at 1-888-778-2733 or e-mail at lightingcontrol.support@us.schneider-electric.com.

Contact your local Schneider Electric service representative or C-Bus™ system certified installer for repairs or service to your network.

You may also find helpful information on our web site at www.Schneider-Electric.us.

Schneider Electric, USA
320 Tech Park Drive, Suite 100
La Vergne, TN, 37086
1-888-778-2733
www.schneider-electric.us

C-Bus, Saturn and Neo are trademarks or registered trademarks of Schneider Electric and/or its affiliates in the United States and/or other countries.

Electrical equipment should be installed, operated, serviced, and maintained only by qualified personnel. No responsibility is assumed by Schneider Electric for any consequences arising out of the use of this material.

© 2010 Schneider Electric. All Rights Reserved.