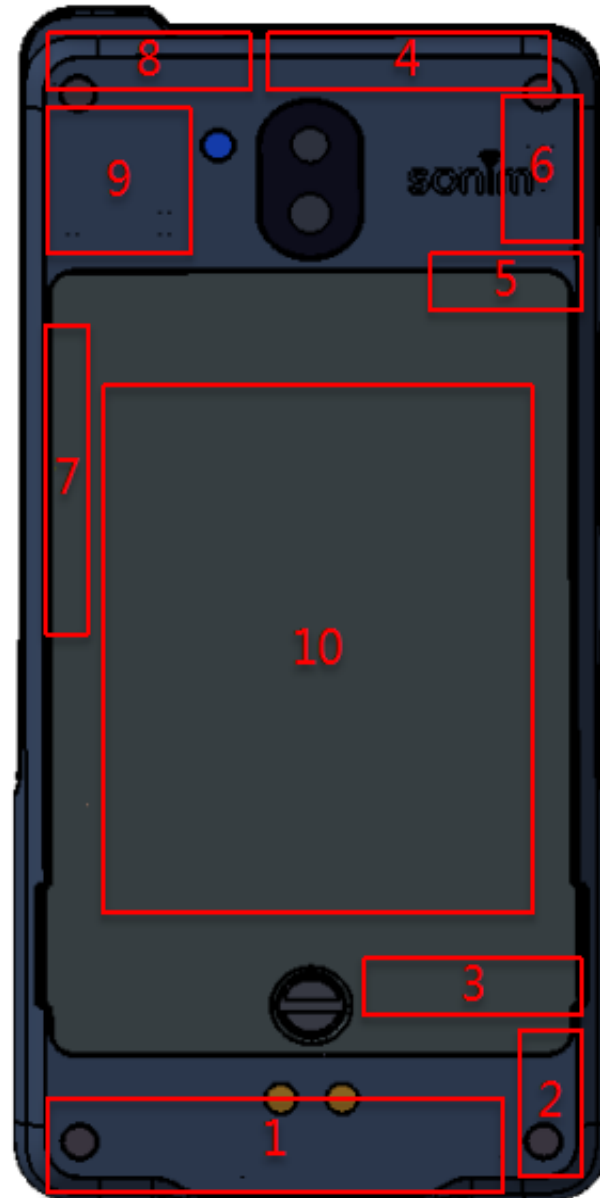
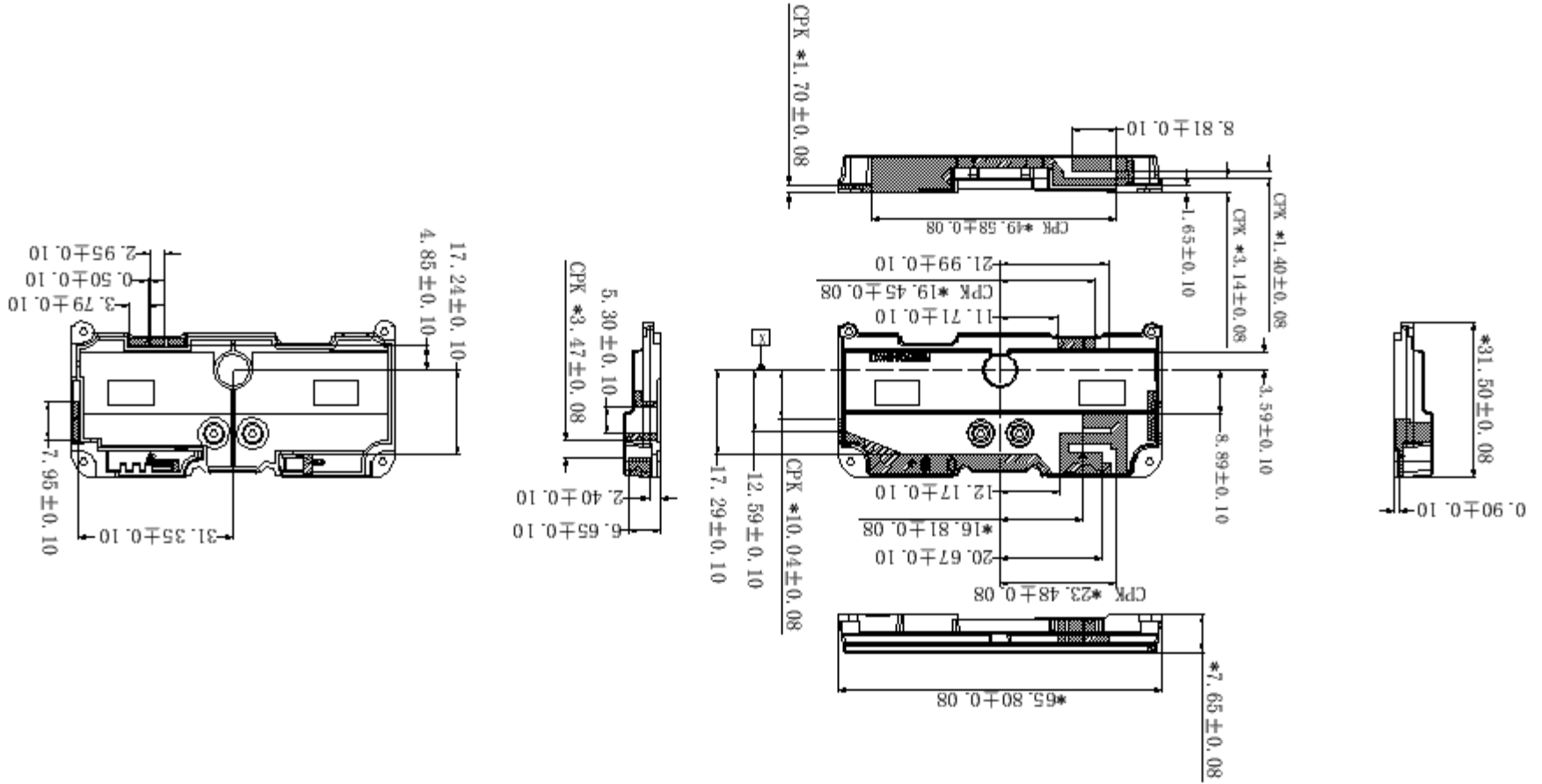


一、Antenna Location



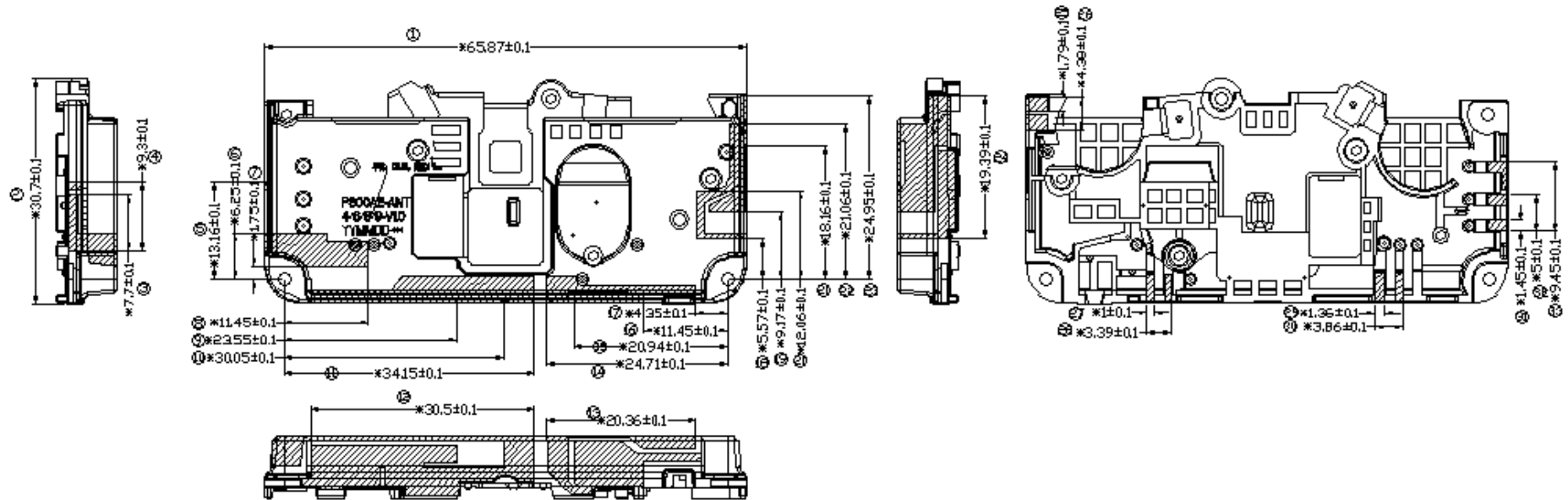
一、Antenna Pattern

1、Antenna1/2/3



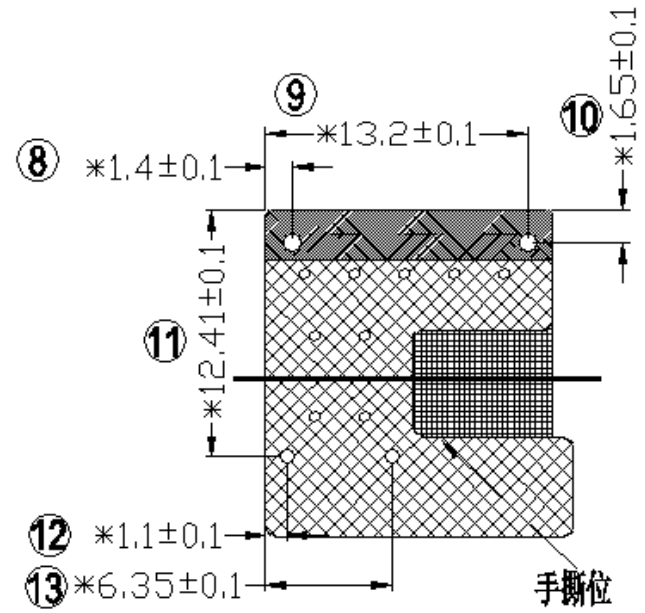
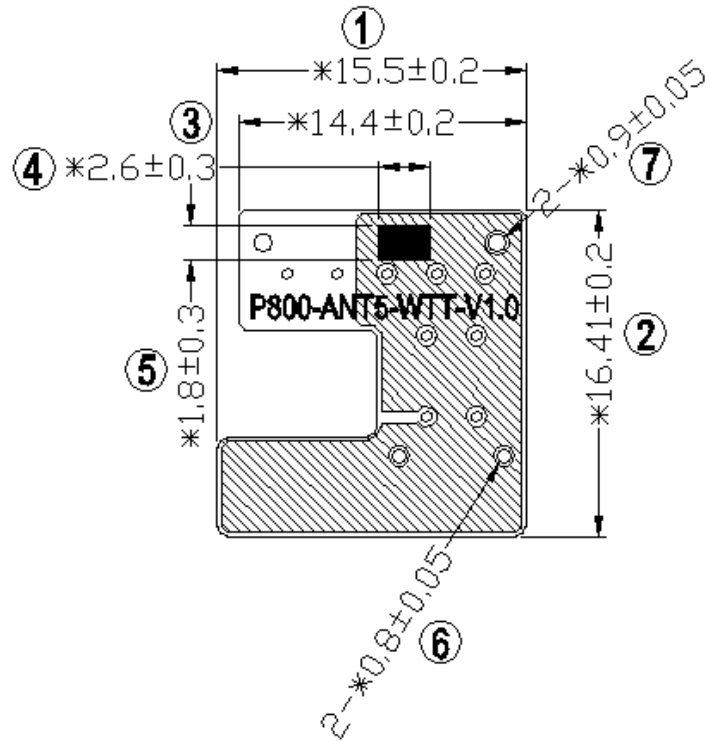
一、Antenna Pattern

2、Antenna4/6/8/9



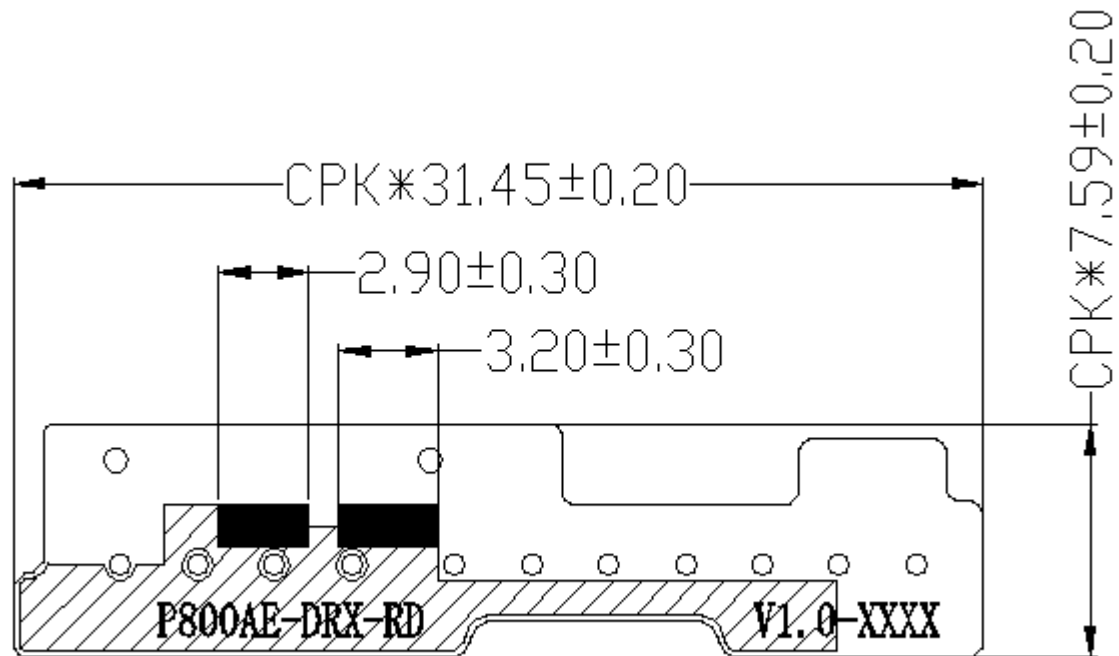
一、Antenna Pattern

3、Antenna5



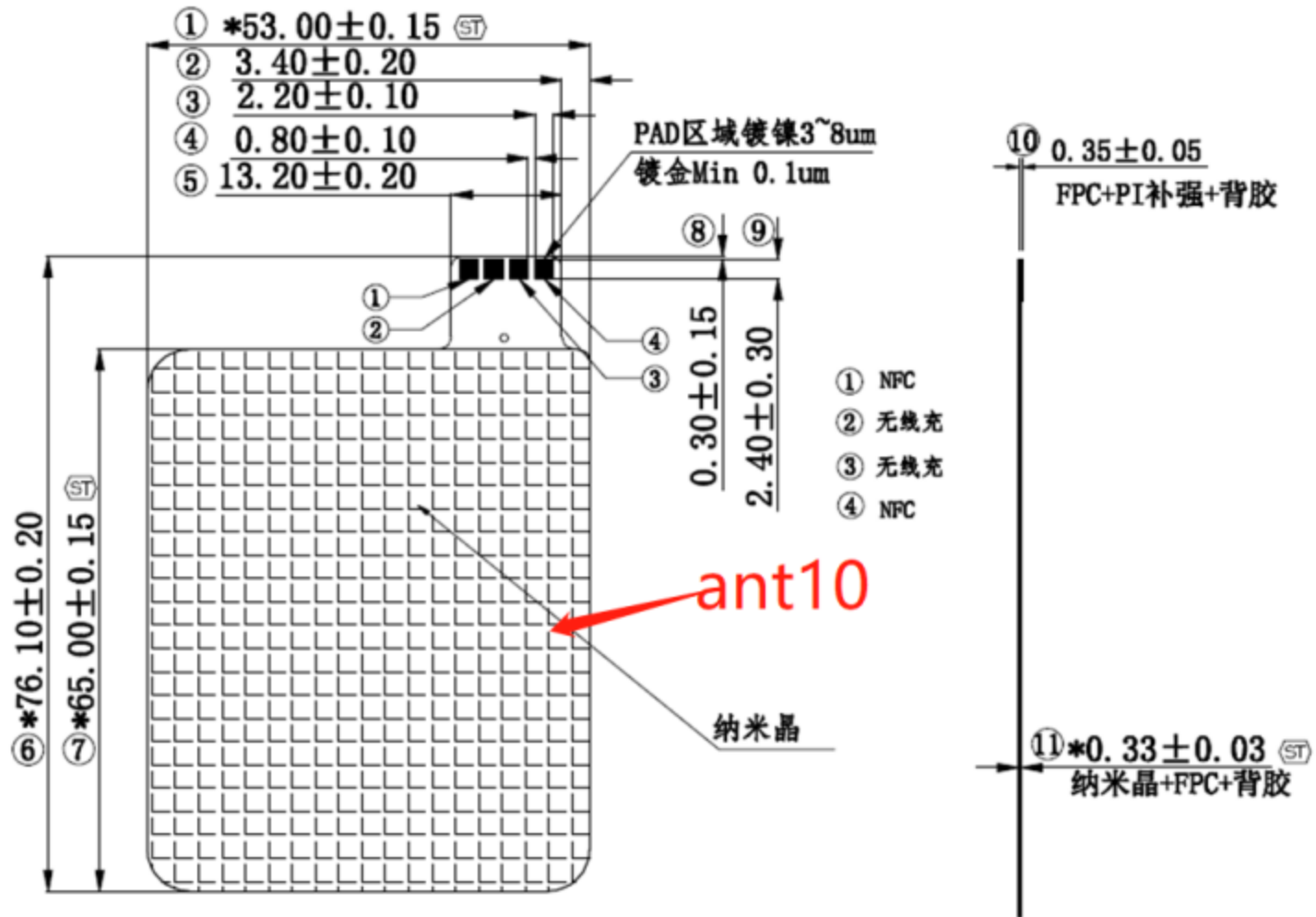
一、Antenna Pattern

4、Antenna7



一、Antenna Pattern

5、Antenna10 NFC



二、Antenna Gain

2、Antenna2/3

Antenna2		Antenna3	
7、38、41		78、77	
Frequency (MHZ)	Gain . dB	Frequency (MHZ)	Gain . dB
2500	0.05	3300	-4.89
2520	0.06	3350	-4.77
2540	0.06	3400	-4.65
2560	0.07	3450	-4.23
2580	0.09	3500	-4.12
2600	0.08	3550	-3.90
2620	0.06	3600	-3.88
2640	0.05	3650	-3.82
2660	0.02	3700	-3.79
2680	0.03	3750	-3.82
2700	0.04	3800	-3.93
		3850	-4.02
		3900	-4.23
		3950	-4.32
		4000	-4.56
		4050	-4.63
		4100	-4.78
		4150	-4.89
		4200	-4.96

二、Antenna Gain

3、Antenna4

Antenna4									
4、66		5、26		13、14		2、25			
Frequency (MHZ)	Gain . dB	Frequency (MHZ)	Gain . dB	Frequency (MHZ)	Gain . dB	Frequency (MHZ)	Gain . dB		
2100	-1.34	860	-4.53	750	-7.23	1930	0.05		
2120	-1.23	870	-4.46	760	-7.03	1950	0.03		
2140	-1.06	880	-4.42	770	-7.16	1970	0.06		
2160	-1.22	890	-4.56			1990	0.01		
2180	-1.32	894	-4.68						
30		12		71		7、38、41			
Frequency (MHZ)	Gain . dB	Frequency (MHZ)	Gain . dB	Frequency (MHZ)	Gain . dB	Frequency (MHZ)	Gain . dB		
2350	-4.03	720	-6.32	650	-7.36	2500	-4.86		
2360	-4.18	740	-6.03	670	-7.22	2520	-4.78		
		760	-6.28	690	-7.44	2540	-4.58		
						2560	-4.68		
						2580	-4.56		
						2600	-4.32		
						2620	-4.00		
						2640	-4.32		
						2660	-4.68		
						2680	-4.78		
						2700	-4.98		

二、Antenna Gain

5、Antenna10 NFC

Antenna10		
[Wireless charger ante		
Wireless Charger Antenna		
Rs(Ω)@100	0.23	
Ls(μ H)@10	9.01	
NFC Antenna		
Rs(Ω)@1M	0.45	
Ls(μ H)@1M	1.04	

三、Antenna Simple Pattern Plot

Antenna1/2/3/4/5/6/7/8/9

