

## FCC Certification Test Report

**Report No.:** FV141027C05A

**Test Model:** XP5700

**Type Number:** L15V013AA; L15V013BA; L15V013CA

**Received Date:** Dec. 04, 2014

**Test Date:** Dec. 04, 2014 ~ Dec. 09, 2014

**Issued Date:** Dec. 22, 2014

**Applicant:** Sonim Technologies, Inc.

**Address:** 1825 S. Grant St., Suite 200., San Mateo, CA, 94402

**Issued By:** Bureau Veritas Consumer Products Services (H.K.) Ltd., Taoyuan Branch

**Lab Address:** No. 19, Hwa Ya 2nd Rd, Wen Hwa Tsuen, Kwei Shan Hsiang, Taoyuan Hsien 333, Taiwan, R.O.C.



This report is for your exclusive use. Any copying or replication of this report to or for any other person or entity, or use of our name or trademark, is permitted only with our prior written permission. This report sets forth our findings solely with respect to the test samples identified herein. The results set forth in this report are not indicative or representative of the quality or characteristics of the lot from which a test sample was taken or any similar or identical product unless specifically and expressly noted. Our report includes all of the tests requested by you and the results thereof based upon the information that you provided to us. You have 60 days from date of issuance of this report to notify us of any material error or omission caused by our negligence, provided, however, that such notice shall be in writing and shall specifically address the issue you wish to raise. A failure to raise such issue within the prescribed time shall constitute your unqualified acceptance of the completeness of this report, the tests conducted and the correctness of the report contents. Unless specifically mentioned, the uncertainty of measurement has been explicitly taken into account to declare the compliance or non-compliance to the specification. The report must not be used by the client to claim product certification, approval, or endorsement by NVLAP, NIST, or any agency of the federal government. The report must not be used by the client to claim product certification, approval, or endorsement by TAF or any government agencies.

## Table of Contents

<b>Release Control Record</b> .....	<b>3</b>
<b>1 Certificate of Conformity</b> .....	<b>4</b>
<b>2 Summary of Test Results</b> .....	<b>5</b>
2.1 Measurement Uncertainty .....	5
2.2 Modification Record .....	5
<b>3 General Information</b> .....	<b>6</b>
3.1 Features of EUT .....	6
3.2 General Description of EUT .....	6
3.3 Operating Modes of EUT and Determination of Worst Case Operating Mode .....	7
3.4 Test Program Used and Operation Descriptions .....	7
3.5 Primary Clock Frequencies of Internal Source .....	8
3.6 Miscellaneous .....	8
<b>4 Configuration and Connections with EUT</b> .....	<b>10</b>
4.1 Connection Diagram of EUT and Peripheral Devices .....	10
4.2 Configuration of Peripheral Devices and Cable Connections .....	11
<b>5 Conducted Emissions at Mains Ports</b> .....	<b>12</b>
5.1 Limits .....	12
5.2 Test Instruments .....	12
5.3 Test Arrangement .....	13
5.4 Supplementary Information .....	13
5.5 Test Results .....	14
<b>6 Radiated Emissions up to 1 GHz</b> .....	<b>16</b>
6.1 Limits .....	16
6.2 Test Instruments .....	17
6.3 Test Arrangement .....	18
6.4 Supplementary Information .....	18
6.5 Test Results .....	19
<b>7 Radiated Emissions above 1 GHz</b> .....	<b>21</b>
7.1 Limits .....	21
7.2 Test Instruments .....	22
7.3 Test Arrangement .....	23
7.4 Supplementary Information .....	23
7.5 Test Results .....	24
<b>8 Pictures of Test Arrangements</b> .....	<b>28</b>
<b>Appendix – Information on the Testing Laboratories</b> .....	<b>29</b>



A D T

### Release Control Record

Issue No.	Description	Date Issued
FV141027C05A	Original Release	Dec. 22, 2014

## 1 Certificate of Conformity

**Product:** LTE phone

**Brand:** Sonim

**Test Model:** XP5700

**Type Number:** L15V013AA; L15V013BA; L15V013CA

**Sample Status:** Identical Prototype

**Applicant:** Sonim Technologies, Inc.

**Test Date:** Dec. 04, 2014 ~ Dec. 09, 2014

**Standards:** 47 CFR FCC Part 15, Subpart B, Class B  
ICES-003:2012 Issue 5, Class B  
ANSI C63.4:2009

The above equipment has been tested by **Bureau Veritas Consumer Products Services (H.K.) Ltd., Taoyuan Branch**, and found compliance with the requirement of the above standards. The test record, data evaluation & Equipment Under Test (EUT) configurations represented herein are true and accurate accounts of the measurements of the sample's EMC characteristics under the conditions specified in this report.

**Prepared by :** Gina Liu , **Date:** Dec. 22, 2014  
Gina Liu / Specialist

**Approved by :** Carl Chen , **Date:** Dec. 22, 2014  
Carl Chen / Project Engineer

## 2 Summary of Test Results

47 CFR FCC Part 15, Subpart B / ICES-003:2012 Issue 5, Class B

ANSI C63.4:2009

FCC Clause	ICES-003 Clause	Test Item	Result/Remarks	Verdict
15.107	6.1	AC Power Line Conducted Emissions	Minimum passing Class B margin is -5.37 dB at 0.64559 MHz	Pass
15.109	6.2.1	Radiated Emissions up to 1 GHz	Minimum passing Class B margin is -3.13 dB at 225.82 MHz	Pass
	6.2.2	Radiated Emissions above 1 GHz	Minimum passing Class B margin is -11.70 dB at 12174.216 MHz	Pass

Note: There is no deviation to the applied test methods and requirements covered by the scope of this report.

### 2.1 Measurement Uncertainty

Where relevant, the following measurement uncertainty levels have been estimated for tests performed on the EUT:

The listed uncertainties are the worst case uncertainty for the entire range of measurement. Please note that the uncertainty values are provided for informational purposes only and are not used in determining the PASS/FAIL results.

Measurement	Frequency	Expanded Uncertainty (k=2) ( $\pm$ )
Conducted Emissions at mains ports	150kHz ~ 30MHz	2.44 dB
Radiated Emissions up to 1 GHz	30MHz ~ 1GHz	4.70 dB
Radiated Emissions above 1 GHz	Above 1GHz	2.26 dB

### 2.2 Modification Record

There were no modifications required for compliance.

### 3 General Information

#### 3.1 Features of EUT

The tests reported herein were performed according to the method specified by Sonim Technologies, Inc., for detailed feature description, please refer to the manufacturer's specifications or user's manual.

#### 3.2 General Description of EUT

Product	LTE phone
Brand	Sonim
Test Model	XP5700
Type Number	L15V013AA; L15V013BA; L15V013CA
Status of EUT	Identical Prototype
Operating Software	5A.0.0-00-4.4.2-10.01.05
Power Supply Rating	3.7Vdc (Battery) 5.0Vdc (Adapter or host equipment)
Accessory Device	Refer to Note as below
Data Cable Supplied	1.1m shielded cable w/o core

Note:

1. The EUT contains following accessory devices.

Product	Brand	Model	Description
Adapter	Sonim	S14C02	I/P: 100-240Vac, 200mA O/P: 5.0Vdc, 1200mA
Battery	Sonim	BAT-03180-01S	3.7Vdc, 3180mAh
USB Cable	Sunway	N.A	1.1m shielded cable w/o core

### 3.3 Operating Modes of EUT and Determination of Worst Case Operating Mode

Test modes are presented in the report as below.

Mode	Test Condition
<b>Conducted Emission</b>	
1	GSM850 Idle + BT Idle + WLAN Idle (2.4G) + GPS Rx + USB Cable + Adapter + Earphone + Battery
2	PCS1900 Idle + BT Idle + WLAN Idle (2.4G) + MPEG4 + USB Cable + USB Link + Earphone + Battery
3	WCDMA Band II Idle + BT Idle + WLAN Idle (2.4G) + Camera + USB Cable + Adapter + Earphone + Battery
4	WCDMA Band V Idle + BT Idle + WLAN Idle (2.4G) + GPS Rx + USB Cable + Adapter + Earphone + Battery
5	LTE B2 Idle + BT Idle + WLAN Idle (2.4G) + GPS Rx + USB Cable + Adapter + Earphone + Battery
6	LTE B4 Idle + BT Idle + WLAN Idle (2.4G) + GPS Rx + USB Cable + Adapter + Earphone + Battery
7	LTE B5 Idle + BT Idle + WLAN Idle (2.4G) + GPS Rx + USB Cable + Adapter + Earphone + Battery
8	LTE B17 Idle + BT Idle + WLAN Idle (2.4G) + GPS Rx + USB Cable + Adapter + Earphone + Battery
9	LTE B7 Idle + BT Idle + WLAN Idle (5G) + GPS Rx + USB Cable + Adapter + Earphone + Battery
<b>Radiated Emission</b>	
1	GSM850 Idle + BT Idle + WLAN Idle (2.4G) + GPS Rx + USB Cable + Adapter + Earphone + Battery
2	PCS1900 Idle + BT Idle + WLAN Idle (2.4G) + MPEG4 + USB Cable + USB Link + Earphone + Battery
3	LTE B2 Idle + BT Idle + WLAN Idle (2.4G) + Camera + USB Cable + Adapter + Earphone + Battery
4	LTE B4 Idle + BT Idle + WLAN Idle (2.4G) + GPS Rx + USB Cable + Adapter + Earphone + Battery
5	LTE B5 Idle + BT Idle + WLAN Idle (5G) + GPS Rx + USB Cable + Adapter + Earphone + Battery
6	LTE B17 Idle + BT Idle + WLAN Idle (5G) + GPS Rx + USB Cable + Adapter + Earphone + Battery
7	LTE B7 Idle + BT Idle + WLAN Idle (5G) + GPS Rx + USB Cable + Adapter + Earphone + Battery
8	WCDMA Band II Idle + BT Idle + WLAN Idle (5G) + GPS Rx + USB Cable + Adapter + Earphone + Battery
9	WCDMA Band V Idle + BT Idle + WLAN Idle (5G) + GPS Rx + USB Cable + Adapter + Earphone + Battery

Remark:

1. For conducted emission test, test mode 3 was the worst case and only this mode was presented in the report.
2. For radiated emission test, test mode 2 was the worst case and only this mode was presented in the report.

### 3.4 Test Program Used and Operation Descriptions

#### Conducted Emission test

- a. The EUT charged from the adapter.
- b. The EUT linked with Bluetooth earphone in idle mode.
- c. The EUT played camera and sent audio signal to the earphone.
- d. The EUT communicated data with the Radio Communication Analyzer and Wireless AP, which acted as communication partners.
- e. Set WWAN and WLAN functions in idle mode.

#### Radiated Emission test

- a. The EUT was connected with Notebook via a USB cable.
- b. Notebook sent "H" patterns to the printer and the printer printed "H" patterns.
- c. The EUT linked with Bluetooth earphone in idle mode.
- d. The EUT played MPEG4 and sent audio signal to the earphone.
- e. The EUT communicated data with the Radio Communication Analyzer and Wireless AP, which acted as communication partners.
- f. Set WWAN and WLAN functions in idle mode.

### 3.5 Primary Clock Frequencies of Internal Source

The highest frequency generated or used within the EUT or on which the EUT operates or tunes is 5000 MHz, provided by Sonim Technologies, Inc., for detailed internal source, please refer to the manufacturer's specifications.

### 3.6 Miscellaneous

#### Labelling Requirements for Part 15 Devices:

➤ Verification

The specific labelling requirements for a device subject to the Verification procedure are contained in Section 15.19(a). These labelling requirements are:

If the device is subject only to Verification, include a label bearing a unique identifier (Section 2.954) and one of three compliance statements specified in Section 15.19(a). If the labeling area for the device is so small, and/or it is not practical to place the compliance statement on the device, then the statement can be placed in the user manual or product packaging (Section 15.19(a)(5)). However, the device must still be labelled with the unique identifier (Verification). Generally, devices smaller than the palm of the hand are considered too small for the compliance statement.

➤ Certification

If the device is subject to Certification: (1) Section 2.925 contains information on identification of the equipment; (2) include a label bearing an FCC Identifier (FCC ID) (Section 2.926) and (3) include the appropriate compliance statement in Section 15.19(a). If the device is considered too small and therefore it is impractical (smaller than the palm of the hand) to display the compliance statement, then the statement may be placed in the user manual or product packaging. However, the device must still be labelled with the FCC ID. If the device is unquestionably too small for the FCC ID to be readable (smaller than 4-6 points), the FCC ID may be placed in the user manual. However, it must be determined that the device itself is too small – the label area allocated to the FCC ID may not be reduced because of over crowded identification of other product and regulatory information.

An electronic display of the FCC ID (see 9. Electronic Labelling below) may be used for Certification of Section 15.212 modular transmitters and software defined radios (Section 2.944).

➤ Declaration of Conformity (DoC):

The labelling requirements for a device subject to the DoC procedure are specified in Section 15.19(b). The label should include the FCC logo along with the Trade Name and Model Number, which satisfies the unique identifier requirement of Section 2.1074 if it represents the identical equipment tested for DoC compliance. For personal computers assembled from authorized components, the following additional text must also be included: "Assembled from tested components," "Complete system not tested." When the device is so small and/or when it is not practical to place the required additional text on the device, the text may be placed in the user manual or pamphlet supplied to the user. However, the FCC logo, Trade Name, and Model Number must still be displayed on the device (Section 15.19(b)(3)).



Part 15 Declaration of Conformity (DoC) Label Examples

Equipment certified as software defined radio may use a means that readily displays the FCC ID on an electronic display screen, instead of labelling the device (Section 2.925 (e)).

Further information may refer to FCC KDB:784748 D01 Labelling Part 15 &18 Guidelines





**Labelling Requirements for ICES-003 Devices:**

- Industry Canada ICES-003 Compliance Label:

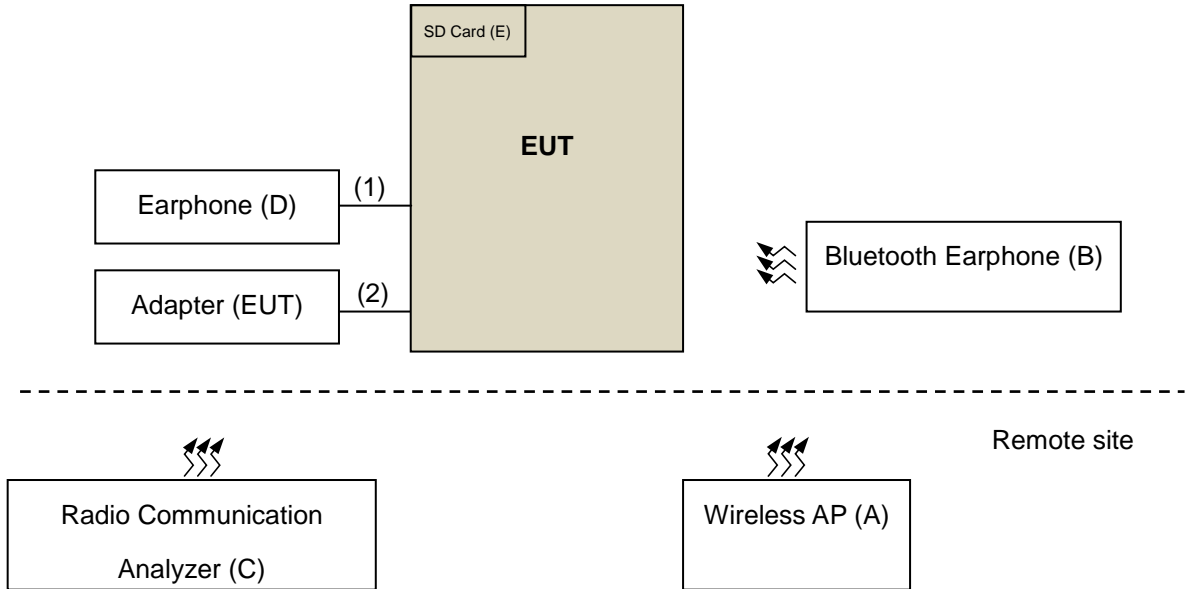
*CAN ICES-3 (\*)/NMB-3(\*)*

\* Insert either "A" or "B" but not both to identify the applicable Class of ITE.

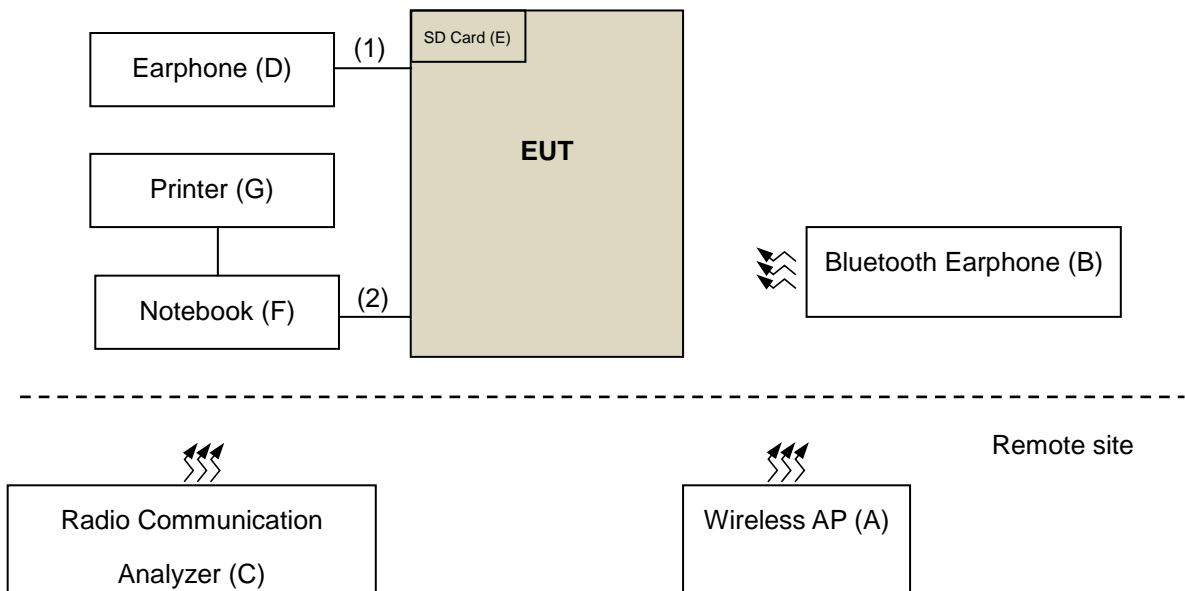
#### 4 Configuration and Connections with EUT

##### 4.1 Connection Diagram of EUT and Peripheral Devices

###### For Conducted Emission



###### For Radiated Emission



#### 4.2 Configuration of Peripheral Devices and Cable Connections

ID	Product	Brand	Model No.	Serial No.	FCC ID	Remarks
A.	Wireless N Dual band Router	D-LINK	DIR-815	PVK21B5000399	KA21R815A1	--
B.	BLUETOOTH EARPHONE	ELECOM	LBT-MPHS400	N/A	N/A	--
C.	Radio Communication Analyzer	Anritsu	MT8820C	6201010284	N/A	--
D.	Earphone	Minami	ME-816B5-E	N/A	N/A	Provided by client
E.	SD Card	Transcend	N/A	N/A	N/A	--
F.	Notebook	DELL	V3560D	HGZ5RX1	N/A	--
G.	USB PRINTER	EPSON	T22	MEEZ070388	N/A	--

Note:

1. All power cords of the above support units are non-shielded (1.8m).
2. Items A~C acted as communication partners to transfer data.

ID	Descriptions	Qty.	Length (m)	Shielding (Yes/No)	Cores (Qty.)	Remarks
1.	Earphone Cable	1	1.2	N	0	Provided by client
2.	USB Cable	1	1.1	Y	0	Accessory of the EUT
3.	USB Cable	1	1.8	Y	0	

Note: The core(s) is(are) originally attached to the cable(s).

## 5 Conducted Emissions at Mains Ports

### 5.1 Limits

Frequency (MHz)	Class A (dBuV)		Class B (dBuV)	
	Quasi-peak	Average	Quasi-peak	Average
0.15 - 0.5	79	66	66 - 56	56 - 46
0.50 - 5.0	73	60	56	46
5.0 - 30.0	73	60	60	50

Notes: 1. The lower limit shall apply at the transition frequencies.  
 2. The limit decreases linearly with the logarithm of the frequency in the range of 0.15 to 0.50 MHz.

### 5.2 Test Instruments

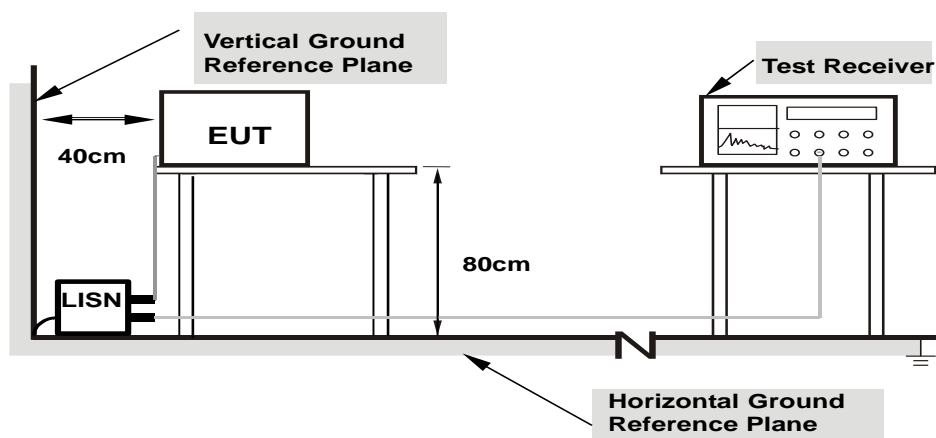
DESCRIPTION & MANUFACTURER	MODEL NO.	SERIAL NO.	DATE OF CALIBRATION	DUE DATE OF CALIBRATION
Test Receiver ROHDE & SCHWARZ	ESCI	100612	Sep. 30, 2014	Sep. 29, 2015
RF signal cable Woken	5D-FB	Cable-HYC01-01	Dec. 27, 2013	Dec. 26, 2014
LISN ROHDE & SCHWARZ (EUT)	ESH3-Z5	835239/001	Feb. 13, 2014	Feb. 12, 2015
LISN ROHDE & SCHWARZ (Peripheral)	ESH3-Z5	100311	Jul. 21, 2014	Jul. 20, 2015
Software ADT	BV ADT_Cond_ V7.3.7.3	NA	NA	NA

NOTE: 1. The calibration interval of the above test instruments is 12 months and the calibrations are traceable to NML/ROC and NIST/USA.  
 2. The test was performed in HwaYa Shielded Room 2.  
 3. The VCCI Site Registration No. is C-2047.

### 5.3 Test Arrangement

- a. The EUT was placed 0.4 meters from the conducting wall of the shielded room with EUT being connected to the power mains through a line impedance stabilization network (LISN). Other support units were connected to the power mains through another LISN. The two LISNs provide 50 Ohm/ 50uH of coupling impedance for the measuring instrument.
- b. Both lines of the power mains connected to the EUT were checked for maximum conducted interference.
- c. The test results of conducted emissions at mains ports are recorded of six worst margins for quasi-peak (mandatory) [and average (if necessary)] values against the limits at frequencies of interest unless the margin is 20 dB or greater.

Note: The resolution bandwidth and video bandwidth of test receiver is 9kHz for quasi-peak detection (QP) and average detection (AV) at frequency 0.15MHz-30MHz.



- Note:**
- 1. Support units were connected to second LISN.
  - 2. Both of LISNs (AMN) are 80 cm from EUT and at least 80 cm from other units and other metal planes

### 5.4 Supplementary Information

N/A

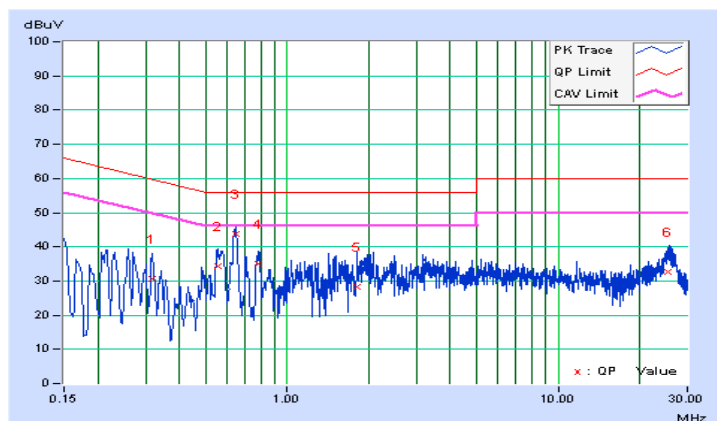
### 5.5 Test Results

Frequency Range	0.15-30 MHz	Phase	Line 1
Input Power	120 Vac, 60 Hz	Environmental Conditions	23 °C, 65% RH
Tested by	Felix Chen	Test Date	2014/12/08
Test Mode	3		

No	Freq. [MHz]	Corr.	Reading Value		Emission Level		Limit		Margin	
		Factor	[dB (uV)]		[dB (uV)]		[dB (uV)]		(dB)	
	(dB)	Q.P.	AV.	Q.P.	AV.	Q.P.	AV.	Q.P.	AV.	
1	0.31800	0.10	30.66	17.97	30.76	18.07	59.76	49.76	-29.00	-31.69
2	0.55680	0.14	34.33	19.90	34.47	20.04	56.00	46.00	-21.53	-25.96
3	0.64840	0.15	43.62	30.34	43.77	30.49	56.00	46.00	-12.23	-15.51
4	0.78200	0.17	34.91	23.24	35.08	23.41	56.00	46.00	-20.92	-22.59
5	1.80600	0.24	28.00	17.19	28.24	17.43	56.00	46.00	-27.76	-28.57
6	25.58924	1.28	31.52	16.55	32.80	17.83	60.00	50.00	-27.20	-32.17

Remarks:

1. Q.P. and AV. are abbreviations of quasi-peak and average individually.
2. The emission levels of other frequencies were very low against the limit.
3. Margin Value = Emission Level – Limit Value
4. Correction Factor = Insertion Loss + Cable Loss
5. Emission Level = Correction Factor + Reading Value

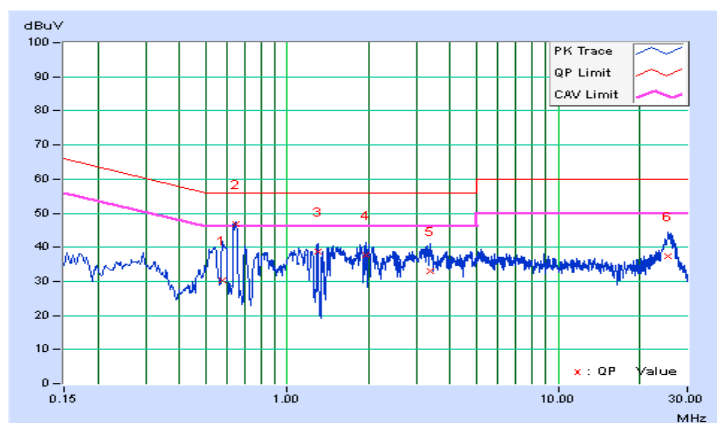


Frequency Range	0.15-30 MHz	Phase	Line 2
Input Power	120 Vac, 60 Hz	Environmental Conditions	23 °C, 65% RH
Tested by	Felix Chen	Test Date	2014/12/08
Test Mode	3		

No	Freq. [MHz]	Corr.	Reading Value		Emission Level		Limit		Margin	
		Factor	[dB (uV)]		[dB (uV)]		[dB (uV)]		(dB)	
	(dB)	Q.P.	AV.	Q.P.	AV.	Q.P.	AV.	Q.P.	AV.	
1	0.57644	0.18	29.98	16.46	30.16	16.64	56.00	46.00	-25.84	-29.36
<b>2</b>	<b>0.64559</b>	<b>0.19</b>	<b>46.49</b>	<b>40.44</b>	<b>46.68</b>	<b>40.63</b>	<b>56.00</b>	<b>46.00</b>	<b>-9.32</b>	<b>-5.37</b>
3	1.29426	0.22	38.36	24.65	38.58	24.87	56.00	46.00	-17.42	-21.13
4	1.94600	0.22	37.53	27.05	37.75	27.27	56.00	46.00	-18.25	-18.73
5	3.36200	0.25	32.77	19.62	33.02	19.87	56.00	46.00	-22.98	-26.13
6	25.41400	1.15	36.27	23.10	37.42	24.25	60.00	50.00	-22.58	-25.75

Remarks:

1. Q.P. and AV. are abbreviations of quasi-peak and average individually.
2. The emission levels of other frequencies were very low against the limit.
3. Margin Value = Emission Level – Limit Value
4. Correction Factor = Insertion Loss + Cable Loss
5. Emission Level = Correction Factor + Reading Value



## 6 Radiated Emissions up to 1 GHz

### 6.1 Limits

Emissions radiated outside of the specified bands, shall be according to the general radiated limits as following:

Radiated Emissions Limits at 10 meters (dB $\mu$ V/m)				
Frequencies (MHz)	FCC 15B / ICES-003, Class A	FCC 15B / ICES-003, Class B	CISPR 22, Class A	CISPR 22, Class B
30-88	39	29.5	40	30
88-216	43.5	33.1		
216-230	46.4	35.6		
230-960				
960-1000	49.5	43.5	47	37

Radiated Emissions Limits at 3 meters (dB $\mu$ V/m)				
Frequencies (MHz)	FCC 15B / ICES-003, Class A	FCC 15B / ICES-003, Class B	CISPR 22, Class A	CISPR 22, Class B
30-88	49.5	40	50.5	40.5
88-216	54	43.5		
216-230	56.9	46		
230-960				
960-1000	60	54	57.5	47.5

- Notes:
1. The lower limit shall apply at the transition frequencies.
  2. Emission level (dB $\mu$ V/m) = 20 log Emission level (uV/m).
  3. QP detector shall be applied if not specified.



## 6.2 Test Instruments

DESCRIPTION & MANUFACTURER	MODEL NO.	SERIAL NO.	DATE OF CALIBRATION	DUE DATE OF CALIBRATION
Test Receiver ROHDE & SCHWARZ (V)	ESR-7	101240	Sep. 29, 2014	Sep. 28, 2015
Test Receiver ROHDE & SCHWARZ (H)	ESR-7	101264	Dec. 04, 2014	Dec. 03, 2015
BILOG Antenna SCHWARZBECK (V)	VULB9168	9168-148	Feb. 25, 2014	Feb. 24, 2015
BILOG Antenna SCHWARZBECK (H)	VULB9168	9168-149	Feb. 25, 2014	Feb. 24, 2015
Preamplifier Agilent (V)	8447D	2944A10636	Oct. 18, 2014	Oct. 17, 2015
Preamplifier Agilent (H)	8447D	2944A10637	Oct. 18, 2014	Oct. 17, 2015
Preamplifier Agilent	8449B	3008A01959	Oct. 18, 2014	Oct. 17, 2015
RF signal cable Woken (V)	8D-FB	Cable-CH(V)-01	Oct. 25, 2014	Oct. 24, 2015
RF signal cable Woken (H)	8D-FB	Cable-CH(H)-01	Oct. 25, 2014	Oct. 24, 2015
Software BV ADT	BV ADT_Radiated_ V 8.7.07	NA	NA	NA
Antenna Tower (V)	MFA-440	9707	NA	NA
Antenna Tower (H)	MFA-440	970705	NA	NA
Turn Table	DS430	50303	NA	NA
Controller (V)	MF7802	074	NA	NA
Controller (H)	MF7802	08093	NA	NA

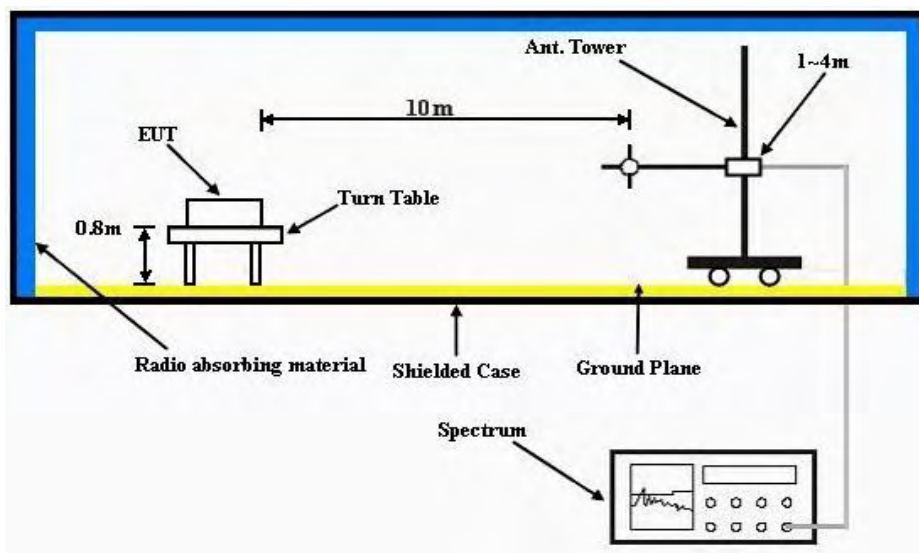
NOTE: 1. The calibration interval of the above test instruments is 12 months and the calibrations are traceable to NML/ROC and NIST/USA.

2. The test was performed in HwaYa Chamber 1.
3. The FCC Site Registration No. is 477732.
4. The IC Site Registration No. is IC 7450F-1.
5. The VCCI Site Registration No. is R-1893, G-113.

### 6.3 Test Arrangement

- The EUT was placed on the top of a rotating table 0.8 meters above the ground at an accredited test facility. The table was rotated 360 degrees to determine the position of the highest radiation.
- The EUT was set 10 meters away from the interference-receiving antenna, which was mounted on the top of a variable-height antenna tower.
- The antenna is a broadband antenna, and its height is varied from one meter to four meters above the ground to determine the maximum value of the field strength. Both horizontal and vertical polarizations of the antenna are set to make the measurement.
- For each suspected emission, the EUT was arranged to its worst case and then the antenna was tuned to heights from 1 meter to 4 meters and the rotatable table was turned from 0 degrees to 360 degrees to find the maximum reading.
- The test-receiver system was set to quasi-peak detect function and specified bandwidth with maximum hold mode when the test frequency is below 1 GHz.

Note: The resolution bandwidth and video bandwidth of test receiver/spectrum analyzer is 120kHz for quasi-peak detection (QP) at frequency below 1GHz.



### 6.4 Supplementary Information

N/A

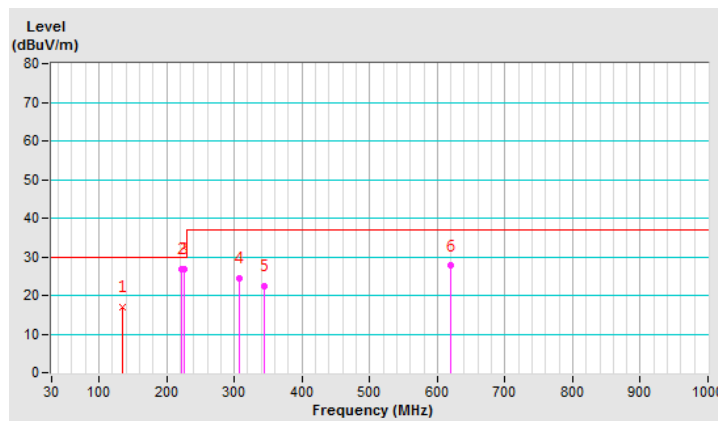
### 6.5 Test Results

Frequency Range	30-1000 MHz		
Input Power	120 Vac, 60 Hz	Environmental Conditions	20 °C, 60% RH
Tested by	Ben Huang	Test Date	2014/12/04
Test Mode	2		

Antenna Polarity & Test Distance: Horizontal at 10 m								
No.	Freq. (MHz)	Emission Level (dBuV/m)	Limit (dBuV/m)	Margin (dB)	Antenna Height (m)	Table Angle (Degree)	Raw Value (dBuV)	Correction Factor (dB/m)
1	135.000	16.87 QP	30.00	-13.13	1.00 H	292	31.83	-14.96
2	221.700	26.78 QP	30.00	-3.22	2.50 H	209	42.76	-15.98
<b>3</b>	<b>225.820</b>	<b>26.87 QP</b>	<b>30.00</b>	<b>-3.13</b>	<b>2.00 H</b>	<b>41</b>	<b>42.83</b>	<b>-15.96</b>
4	307.180	24.56 QP	37.00	-12.44	2.00 H	290	35.99	-11.43
5	343.800	22.51 QP	37.00	-14.49	3.00 H	232	33.06	-10.55
6	619.270	27.63 QP	37.00	-9.37	2.50 H	359	32.06	-4.43

Remarks:

1. Emission Level (dBuV/m) = Raw Value (dBuV) + Correction Factor (dB/m)
2. Correction Factor (dB/m) = Antenna Factor (dB/m) + Cable Factor (dB) – Pre-Amplifier Factor (dB)
3. The other emission levels were very low against the limit.
4. Margin Value = Emission Level – Limit Value

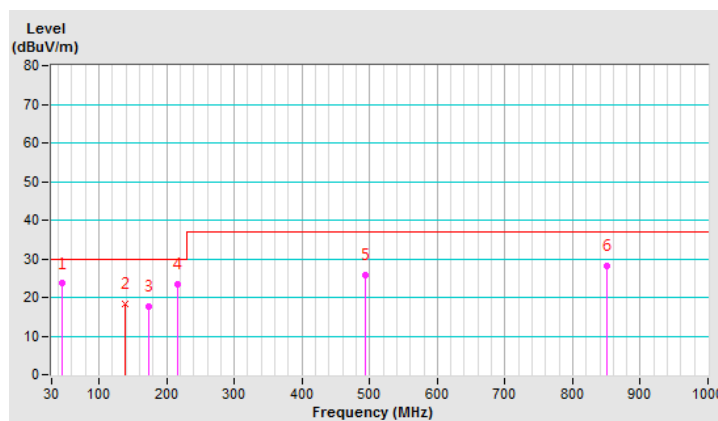


Frequency Range	30-1000 MHz		
Input Power	120 Vac, 60 Hz	Environmental Conditions	20 °C, 60% RH
Tested by	Ben Huang	Test Date	2014/12/04
Test Mode	2		

Antenna Polarity & Test Distance:: Vertical at 10 m								
No.	Freq. (MHz)	Emission Level (dBuV/m)	Limit (dBuV/m)	Margin (dB)	Antenna Height (m)	Table Angle (Degree)	Raw Value (dBuV)	Correction Factor (dB/m)
1	45.030	23.60 QP	30.00	-6.40	3.00 V	98	37.78	-14.18
2	139.250	18.31 QP	30.00	-11.69	2.00 V	145	32.51	-14.20
3	172.710	17.67 QP	30.00	-12.33	1.00 V	277	31.45	-13.78
4	216.360	23.55 QP	30.00	-6.45	2.50 V	47	39.30	-15.75
5	493.050	25.87 QP	37.00	-11.13	2.50 V	348	32.87	-7.00
6	850.010	28.25 QP	37.00	-8.75	2.00 V	67	28.10	0.15

Remarks:

1. Emission Level (dBuV/m) = Raw Value (dBuV) + Correction Factor (dB/m)
2. Correction Factor (dB/m) = Antenna Factor (dB/m) + Cable Factor (dB) – Pre-Amplifier Factor (dB)
3. The other emission levels were very low against the limit.
4. Margin Value = Emission Level – Limit Value



## 7 Radiated Emissions above 1 GHz

### 7.1 Limits

Emissions radiated outside of the specified bands, shall be according to the general radiated limits as following:

Radiated Emissions Limits at 10 meters (dB $\mu$ V/m)				
Frequencies (MHz)	FCC 15B / ICES-003, Class A	FCC 15B / ICES-003, Class B	CISPR 22, Class A	CISPR 22, Class B
1000-3000	Avg: 49.5	Avg: 43.5	Not defined	Not defined
Above 3000	Peak: 69.5	Peak: 63.5	Not defined	Not defined

Radiated Emissions Limits at 3 meters (dB $\mu$ V/m)				
Frequencies (MHz)	FCC 15B / ICES-003, Class A	FCC 15B / ICES-003, Class B	CISPR 22, Class A	CISPR 22, Class B
1000-3000	Avg: 60	Avg: 54	Avg: 56 Peak: 76	Avg: 50 Peak: 70
Above 3000	Peak: 80	Peak: 74	Avg: 60 Peak: 80	Avg: 54 Peak: 74

- Notes:
1. The lower limit shall apply at the transition frequencies.
  2. Emission level (dB $\mu$ V/m) = 20 log Emission level (uV/m).
  3. As shown in 15.35(b), for frequencies above 1000MHz, the field strength limits are based on average detector, however, the peak field strength of any emission shall not exceed the maximum permitted average limits, specified above by more than 20dB under any condition of modulation.

Radiated Emissions Limits at 1.5 meters (dB $\mu$ V/m)		
Frequencies (MHz)	FCC 15B / ICES-003, Class A	FCC 15B / ICES-003, Class B
Above 18000	Avg: 66 Peak: 86	Avg: 60 Peak: 80

Note: Limit@1.5m = Limit@3m + 20log(3/1.5)

#### Frequency Range (For unintentional radiators)

Highest frequency generated or used in the device or on which the device operates or tunes (MHz)	Upper frequency of measurement range (MHz)
Below 1.705	30
1.705-108	1000
108-500	2000
500-1000	5000
Above 1000	5th harmonic of the highest frequency or 40GHz, whichever is lower



## 7.2 Test Instruments

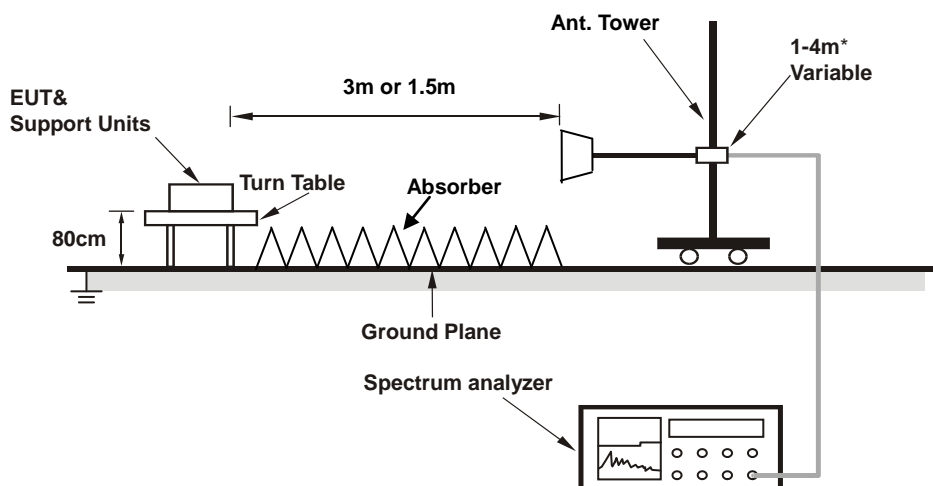
DESCRIPTION & MANUFACTURER	MODEL NO.	SERIAL NO.	DATE OF CALIBRATION	DUE DATE OF CALIBRATION
Test Receiver ROHDE & SCHWARZ	ESCI	100424	Oct. 06, 2014	Oct. 05, 2015
Spectrum Analyzer Agilent	E4446A	MY44360124	Feb. 12, 2014	Feb. 11, 2015
BILOG Antenna SCHWARZBECK	VULB9168	9168-157	Feb. 26, 2014	Feb. 25, 2015
RF signal cable Woken	8D-FB	NA	Mar. 21, 2014	Mar. 20, 2015
HORN Antenna SCHWARZBECK	BBHA 9120 D	9120D-404	Jan. 05, 2014	Jan. 04, 2015
HORN Antenna SCHWARZBECK	BBHA 9170	BBHA9170243	Jan. 09, 2014	Jan. 08, 2015
Preamplifier Agilent (Below 1GHz)	8447D	2944A10629	Oct. 18, 2014	Oct. 17, 2015
Preamplifier Agilent (Above 1GHz)	8449B	3008A01959	Oct. 18, 2014	Oct. 17, 2015
RF signal cable HUBER+SUHNER	SUCOFLEX 104	MWX322+MWX2211308S0295	Nov. 06, 2014	Nov. 05, 2015
Software BV ADT	BV ADT_Radiated_ V7.6.15.9.4	NA	NA	NA
Antenna Tower BV ADT	AT100	AT93021702	NA	NA
Turn Table BV ADT	TT100	TT93021702	NA	NA
Controller BV ADT	SC100	SC93021702	NA	NA
RF signal cable HUBER+SUHNER	SUCOFLEX 102	38218/2+37433/2	Oct. 25, 2014	Oct. 24, 2015
Fix tool for Boresight antenna tower	BAF-01	2	NA	NA
26GHz ~ 40GHz Amplifier	EMC26400	815221	Oct. 18, 2014	Oct. 17, 2015

- NOTE:**
1. The calibration interval of the above test instruments is 12 months and the calibrations are traceable to NML/ROC and NIST/USA.
  2. The test was performed in HwaYa Chamber 2.
  3. The horn antenna and HP preamplifier (model: 8449B) are used only for the measurement of emission frequency above 1GHz if tested.
  4. The FCC Site Registration No. is 686814.
  5. The IC Site Registration No. is IC 7450F-2.
  6. The VCCI Site Registration No. is G-18.

### 7.3 Test Arrangement

- The EUT was placed on the top of a rotating table 0.8 meters above the ground at an accredited chamber room. The table was rotated 360 degrees to determine the position of the highest radiation.
- The EUT was set 3 meters away from the interference-receiving antenna, which was mounted on the top of a variable-height antenna tower.
- For frequency range 1GHz ~ 18GHz, the EUT was set 3 meters away from the interference-receiving antenna, which was mounted on the top of a variable-height antenna tower.
- For frequency range 18GHz ~ 40GHz, the EUT was set 1.5 meters away from the interference-receiving antenna, which was mounted on the top of a variable-height antenna tower.
- The height of antenna can be varied from one meter to four meters, the height of adjustment depends on the EUT height and the antenna 3dB beamwidth both, to detect the maximum value of the field strength. Both horizontal and vertical polarizations of the antenna are set to make the measurement.
- For each suspected emission, the EUT was arranged to its worst case and then the antenna was tuned to heights and the rotatable table was turned from 0 degrees to 360 degrees to find the maximum reading.
- The spectrum analyzer system was set to peak and average detect function and specified bandwidth with maximum hold mode when the test frequency is above 1 GHz.

Note: The resolution bandwidth of test receiver/spectrum analyzer is 1MHz and video bandwidth is 3MHz for Peak detection (PK) at frequency above 1GHz. The resolution bandwidth of test receiver/spectrum analyzer is 1 MHz for Average detection (AV) at frequency above 1GHz.



### 7.4 Supplementary Information

N/A

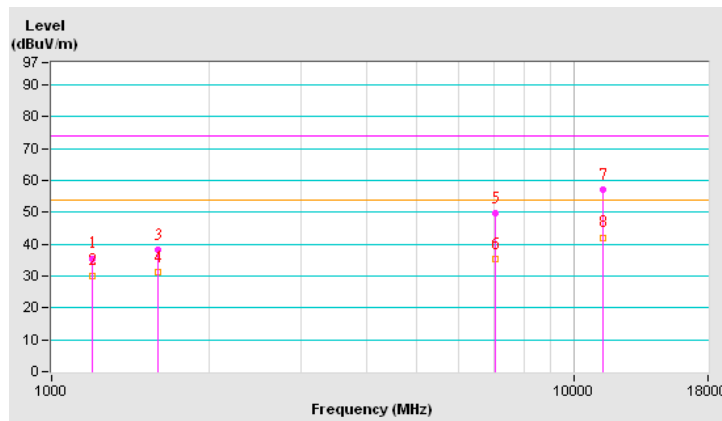
### 7.5 Test Results

Frequency Range	1GHz ~ 18GHz		
Input Power	120 Vac, 60 Hz	Enviornmental Conditions	22 °C, 64% RH
Tested by	Daniel Lin	Test Date	2014/12/08
Test Mode	2		

Antenna Polarity & Test Distance: Horizontal at 3 m								
No.	Freq. (MHz)	Emission Level (dBuV/m)	Limit (dBuV/m)	Margin (dB)	Antenna Height (m)	Table Angle (Degree)	Raw Value (dBuV)	Correction Factor (dB/m)
1	1199.243	35.51 PK	74.00	-38.49	1.52 H	10	44.85	-9.34
2	1199.243	30.20 AV	54.00	-23.80	1.52 H	10	39.54	-9.34
3	1597.729	38.06 PK	74.00	-35.94	1.00 H	337	45.89	-7.83
4	1597.729	31.20 AV	54.00	-22.80	1.00 H	337	39.03	-7.83
5	7037.480	49.78 PK	74.00	-24.22	1.75 H	218	40.16	9.62
6	7037.480	35.20 AV	54.00	-18.80	1.75 H	218	25.58	9.62
7	11329.508	57.10 PK	74.00	-16.90	1.85 H	200	40.48	16.62
8	11329.508	42.10 AV	54.00	-11.90	1.85 H	200	25.48	16.62

Remarks:

1. Emission Level (dBuV/m) = Raw Value (dBuV) + Correction Factor (dB/m)
2. Correction Factor (dB/m) = Antenna Factor (dB/m) + Cable Factor (dB) – Pre-Amplifier Factor (dB)
3. The other emission levels were very low against the limit.
4. Margin Value = Emission Level – Limit Value





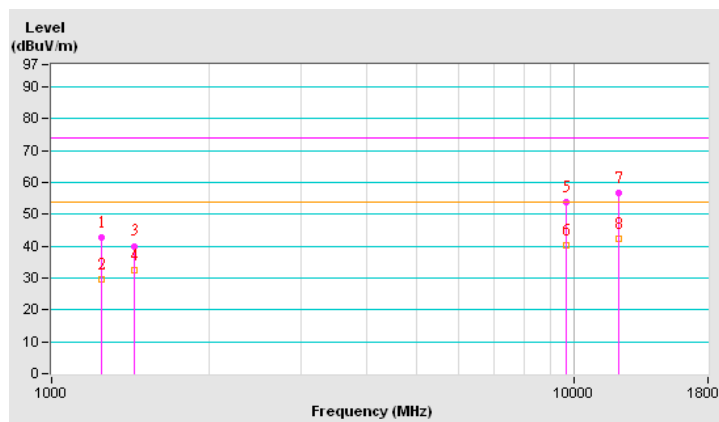
Frequency Range	1GHz ~ 18GHz		
Input Power	120 Vac, 60 Hz	Environmental Conditions	22 °C, 64% RH
Tested by	Daniel Lin	Test Date	2014/12/08
Test Mode	2		

Antenna Polarity & Test Distance: Vertical at 3 m

No.	Freq. (MHz)	Emission Level (dBuV/m)	Limit (dBuV/m)	Margin (dB)	Antenna Height (m)	Table Angle (Degree)	Raw Value (dBuV)	Correction Factor (dB/m)
1	1249.054	42.73 PK	74.00	-31.27	1.00 V	124	51.80	-9.07
2	1249.054	29.60 AV	54.00	-24.40	1.00 V	124	38.67	-9.07
3	1439.230	40.06 PK	74.00	-33.94	1.25 V	200	48.46	-8.40
4	1439.230	32.50 AV	54.00	-21.50	1.25 V	200	40.90	-8.40
5	9625.565	53.66 PK	74.00	-20.34	1.02 V	152	40.75	12.91
6	9625.565	40.10 AV	54.00	-13.90	1.02 V	152	27.19	12.91
7	12174.216	56.72 PK	74.00	-17.28	1.25 V	360	40.55	16.17
8	12174.216	42.30 AV	54.00	-11.70	1.25 V	360	26.13	16.17

Remarks:

1. Emission Level (dBuV/m) = Raw Value (dBuV) + Correction Factor (dB/m)
2. Correction Factor (dB/m) = Antenna Factor (dB/m) + Cable Factor (dB) – Pre-Amplifier Factor (dB)
3. The other emission levels were very low against the limit.
4. Margin Value = Emission Level – Limit Value

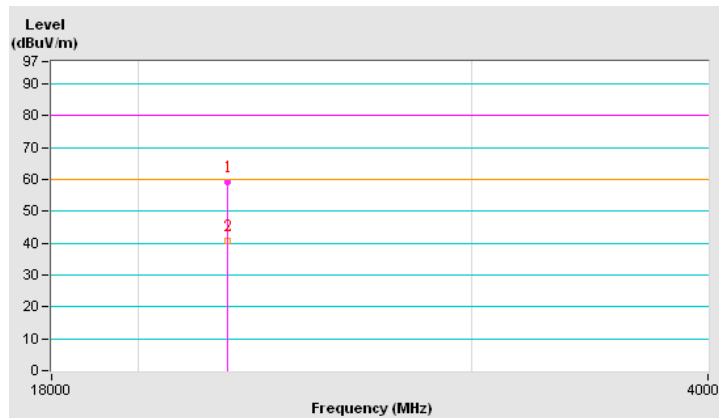


Frequency Range	18GHz ~ 40GHz		
Input Power	120 Vac, 60 Hz	Environmental Conditions	22 °C, 64% RH
Tested by	Daniel Lin	Test Date	2014/12/09
Test Mode	2		

Antenna Polarity & Test Distance: Horizontal at 1.5 m								
No.	Freq. (MHz)	Emission Level (dBuV/m)	Limit (dBuV/m)	Margin (dB)	Antenna Height (m)	Table Angle (Degree)	Raw Value (dBuV)	Correction Factor (dB/m)
1	22312.500	59.20 PK	80.00	-20.80	1.05 H	200	63.60	-4.40
2	22312.500	40.80 AV	60.00	-19.20	1.05 H	200	45.20	-4.40

Remarks:

1. Emission Level (dBuV/m) = Raw Value (dBuV) + Correction Factor (dB/m)
2. Correction Factor (dB/m) = Antenna Factor (dB/m) + Cable Factor (dB) – Pre-Amplifier Factor (dB)
3. The other emission levels were very low against the limit.
4. Margin Value = Emission Level – Limit Value

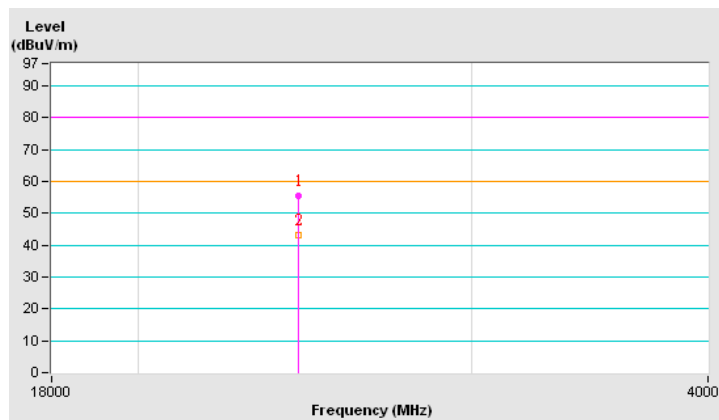


Frequency Range	18GHz ~ 40GHz		
Input Power	120 Vac, 60 Hz	Environmental Conditions	22 °C, 64% RH
Tested by	Daniel Lin	Test Date	2014/12/09
Test Mode	2		

Antenna Polarity & Test Distance: Vertical at 1.5 m								
No.	Freq. (MHz)	Emission Level (dBuV/m)	Limit (dBuV/m)	Margin (dB)	Antenna Height (m)	Table Angle (Degree)	Raw Value (dBuV)	Correction Factor (dB/m)
1	24321.200	55.60 PK	80.00	-24.40	1.00 V	322	59.49	-3.89
2	24321.200	43.20 AV	60.00	-16.80	1.00 V	322	47.09	-3.89

Remarks:

1. Emission Level (dBuV/m) = Raw Value (dBuV) + Correction Factor (dB/m)
2. Correction Factor (dB/m) = Antenna Factor (dB/m) + Cable Factor (dB) – Pre-Amplifier Factor (dB)
3. The other emission levels were very low against the limit.
4. Margin Value = Emission Level – Limit Value





## 8 Pictures of Test Arrangements

Please refer to the attached file (Test Setup Photo).



## Appendix – Information on the Testing Laboratories

We, Bureau Veritas Consumer Products Services (H.K.) Ltd., Taoyuan Branch, were founded in 1988 to provide our best service in EMC, Radio, Telecom and Safety consultation. Our laboratories are accredited and approved according to ISO/IEC 17025.

If you have any comments, please feel free to contact us at the following:

**Linko EMC/RF Lab**

Tel: 886-2-26052180

Fax: 886-2-26051924

**Hsin Chu EMC/RF/Telecom Lab**

Tel: 886-3-5935343

Fax: 886-3-5935342

**Hwa Ya EMC/RF/Safety Lab**

Tel: 886-3-3183232

Fax: 886-3-3270892

**Email:** [service.adt@tw.bureauveritas.com](mailto:service.adt@tw.bureauveritas.com)

**Web Site:** [www.bureauveritas-adt.com](http://www.bureauveritas-adt.com)

The address and road map of all our labs can be found in our web site also.

--- END ---