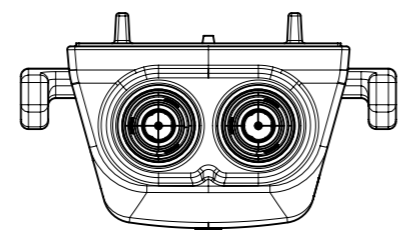


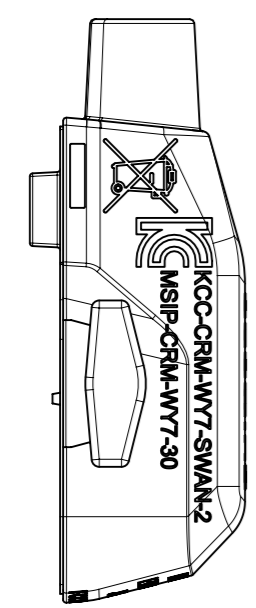
1 2 3 4 5 6

A

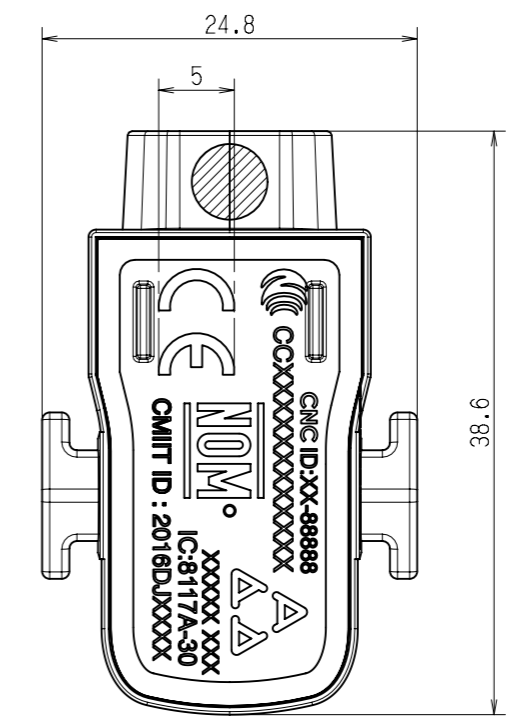
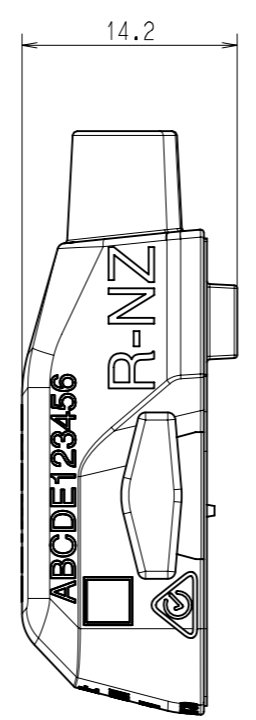
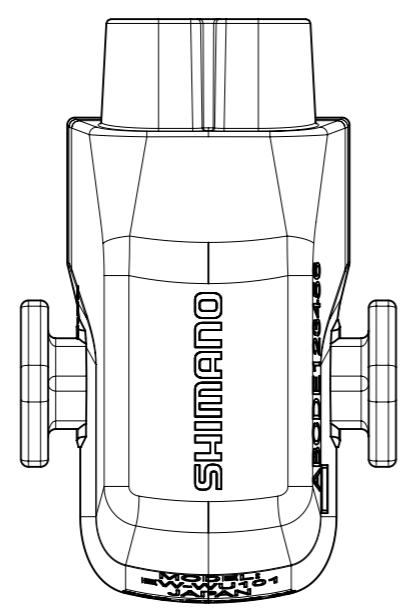


A

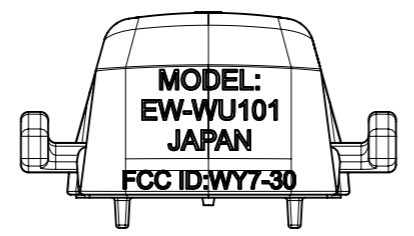
B



B



C



C

D

272R000100
Part CD

Tolerancing Principle		MODEL No		EWWU101	
General Tolerances					
INITIAL					
ISSUE					
EXAMI					
APPROVE					
APPEARANCE	-	SCALE	2:1		VIP
SHIMANO INC.		DWG No	-		

SIZE: A3 1 2 3 4 5 6

D