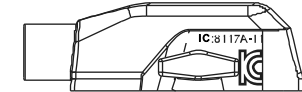
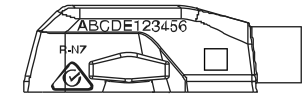
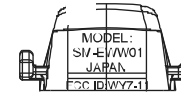
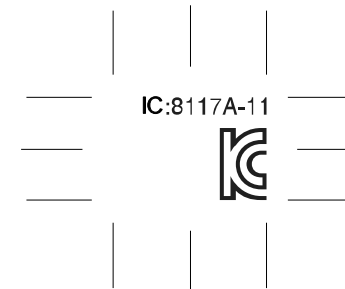
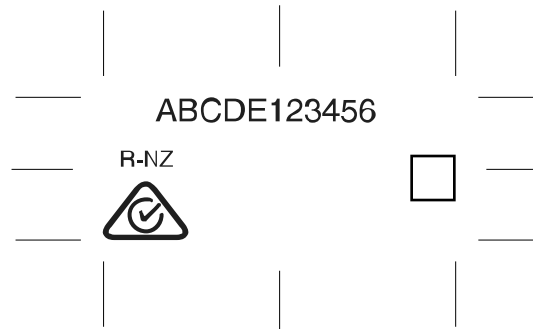
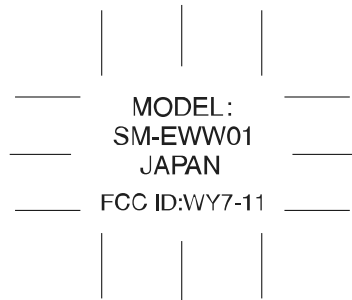


SHIMANO



SCALE 1 / 1



- 2013.11.07 Add resisrated mark. (KAMIYA)
- 2013.10.31 Add model name and change resisrated numbers. (KAMIYA)
- 2013.09.25 Change the layout. (KAMIYA)

ISSUE	APPLICATION	LASER MARKING	SCALE	2 / 1	PRODUCT NAME	SM-EWW01
	CHECKD BY	NOBORIO	DESIGNED BY	KAMIYA	PART NAME	CASE
			DATE	2013.09.11	CODE NUMBER	AW-47G900010E-03