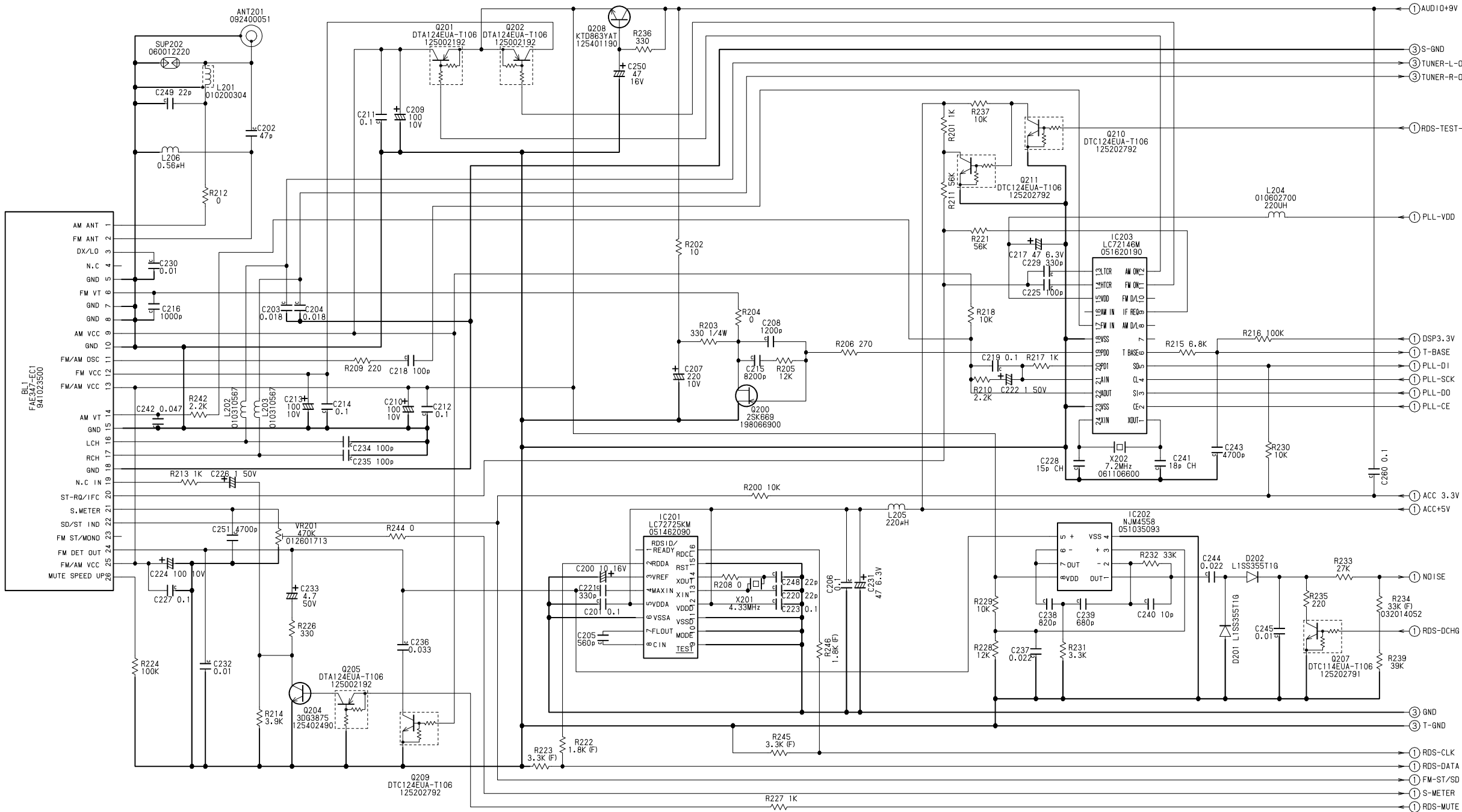


\*NOTE:  
 YAMATO PWB<PE-3156Y-A-CA-5/6>共通スル  
 BT PWB<PE-3156Y-A-CA-6/6>共通スル

SYM	DATE	DSGN	REVISION	APPR	NAME
		DWG	081212		CAL WT(G) MATERIAL
		DSGN	081212		CIRCUIT DIAGRAM
		CHK			DWG NO.
					PE-3154Y-A-CA-1/5
					SCALE FREE
					UNIT MM TOL

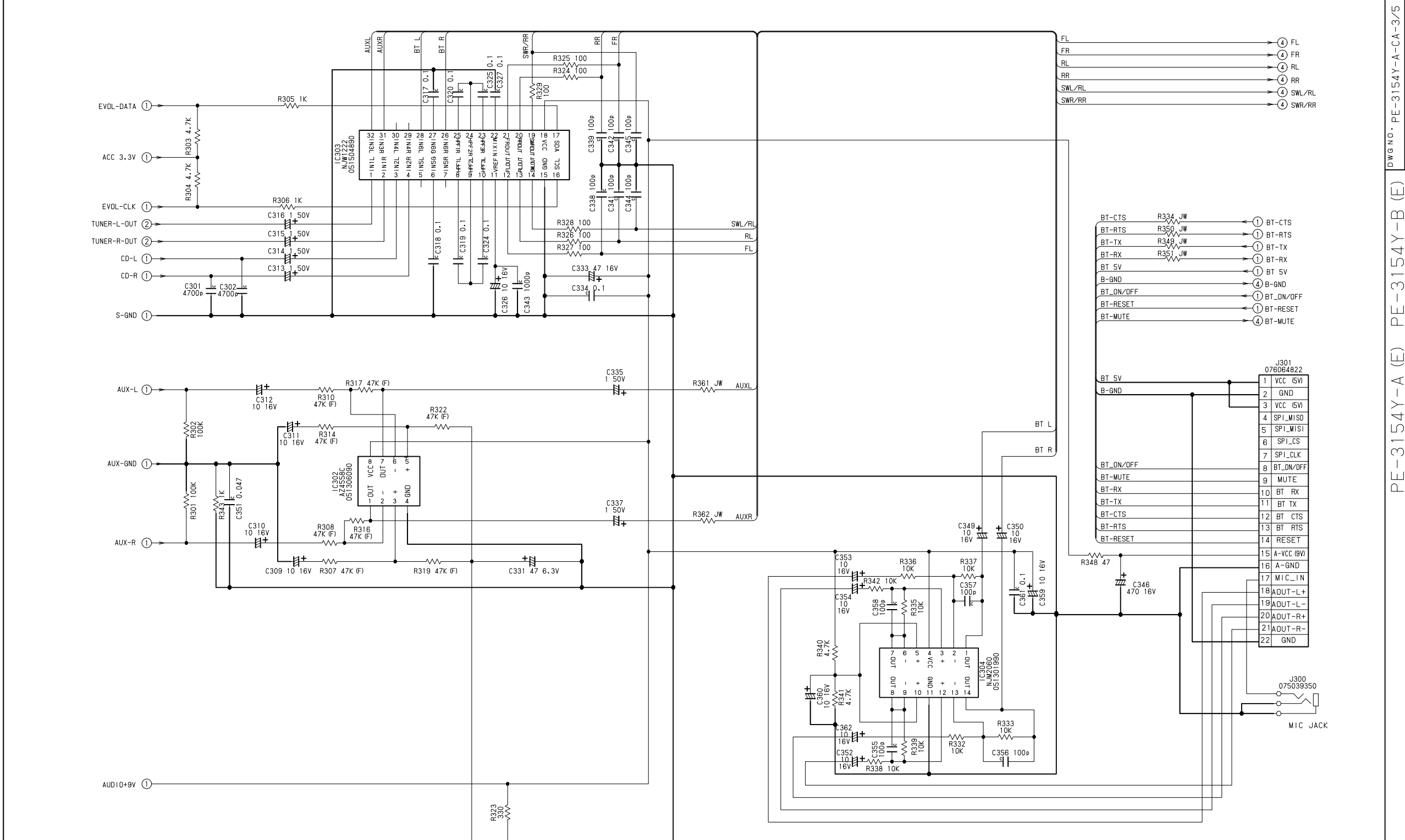
**Clarion Co.,Ltd.**



X

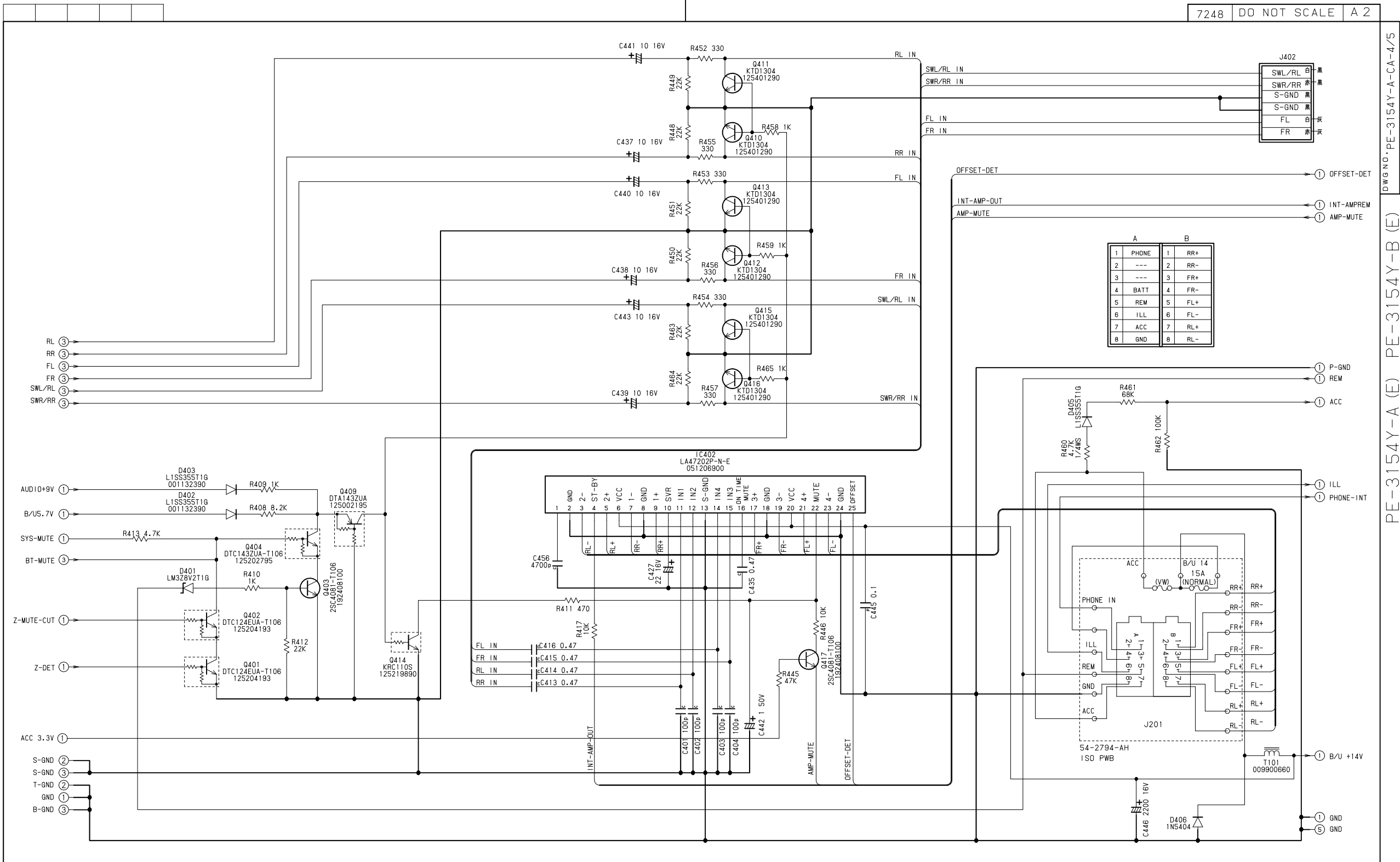
SYMBOL	DATE	DSGN	REVISION	APPR	DWG	李麗華	081212	CAL WT(g)	MATERIAL	NAME	CIRCUIT DIAGRAM
MODEL	PE-3154Y-A (E)	DATE	081212	APPR	DSGN	李麗華	081212	ACT WT(g)	FINISH	DWG NO.	PE-3154Y-A-CA-2/5
								SCALE	FREE	Clarion Co.,Ltd.	
								UNIT	MM	TOL	

DWG NO. PE-3154Y-A (E) PE-3154Y-B (E) PE-3154Y-A-CA-2/5



SYM	DATE	DSGN	REVISION	APPR	DWG	李麗華	081212	CAL WT(g)	MATERIAL	NAME
					DSGN	李麗華	081212			CIRCUIT DIAGRAM
					CHK			ACT WT(g)	FINISH	DWG NO.
					APPR					PE-3154Y-A-CA-3/5
MODEL					DATE		SCALE		FREE	
PE-3154Y-A (E)					081212		UNIT MM		TOL	
									<b>Clarion Co.,Ltd.</b>	

DWG NO. PE-3154Y-A-CA-3/5



- RL ③
- RR ③
- FL ③
- FR ③
- SWL/RL ③
- SWR/RR ③

- AUDIO+9V ①
- B/U5.7V ①
- SYS-MUTE ①
- BT-MUTE ③
- Z-MUTE-CUT ①
- Z-DET ①
- ACC 3.3V ①
- S-GND ②
- S-GND ③
- T-GND ②
- GND ①
- B-GND ③

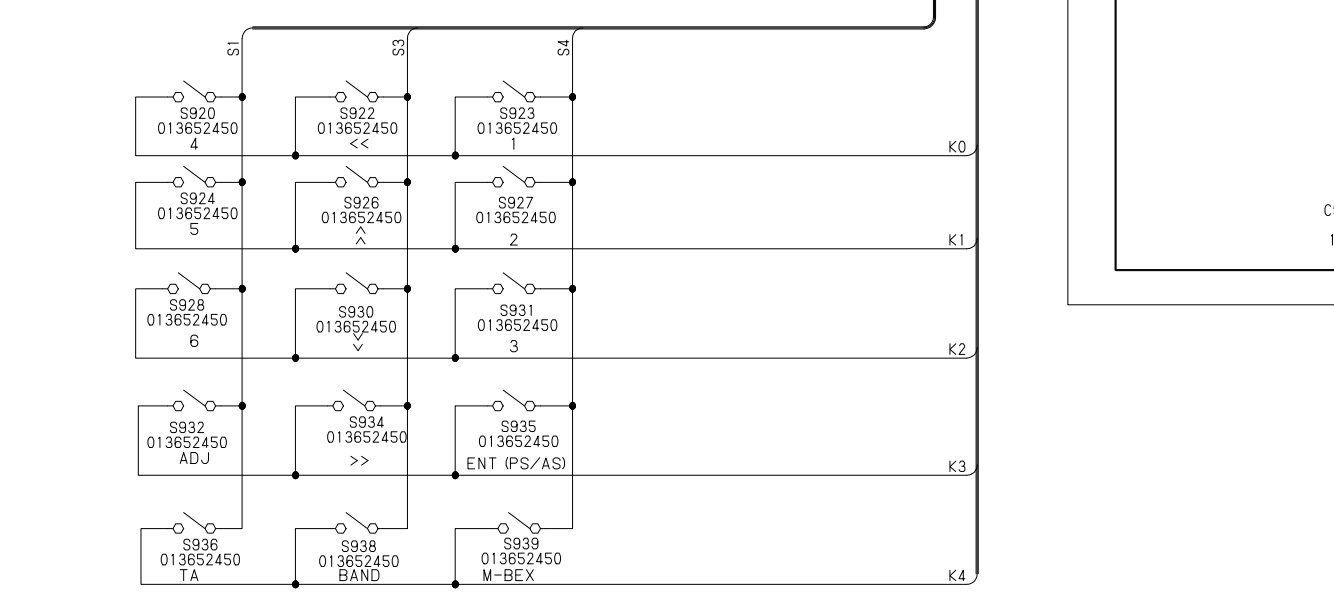
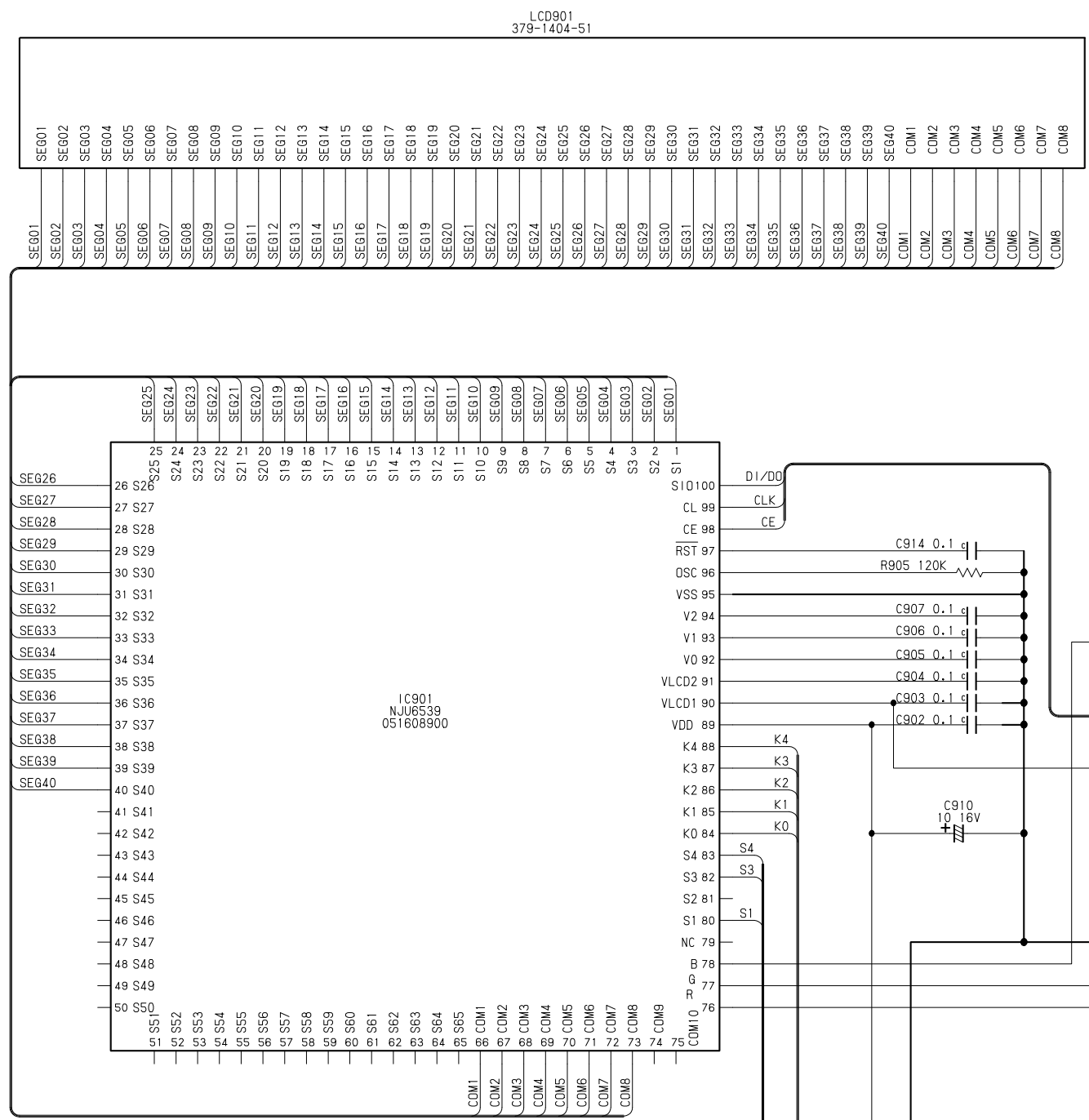
- OFFSET-DET ①
- INT-AMP-OUT ①
- AMP-MUTE ①
- P-GND ①
- REM ①
- ACC ①
- ILL ①
- PHONE-INT ①
- B/U+14V ①
- GND ①
- GND ⑤

A		B	
1	PHONE	1	RR+
2	---	2	RR-
3	---	3	FR+
4	BATT	4	FR-
5	REM	5	FL+
6	ILL	6	FL-
7	ACC	7	RL+
8	GND	8	RL-

DWG	李麗華	081212	CAL WT(g)	MATERIAL	NAME
DSGN	李麗華	081212	ACT WT(g)	FINISH	CIRCUIT DIAGRAM
CHK					DWG NO.
SYM	DATE	DSGN	REVISION	APPR	PE-3154Y-A-CA-4/5
MODEL	PE-3154Y-A (E)	DATE	081212	APPR	
				SCALE	FREE
				UNIT	MM TOL
					<b>Clarion Co.,Ltd.</b>

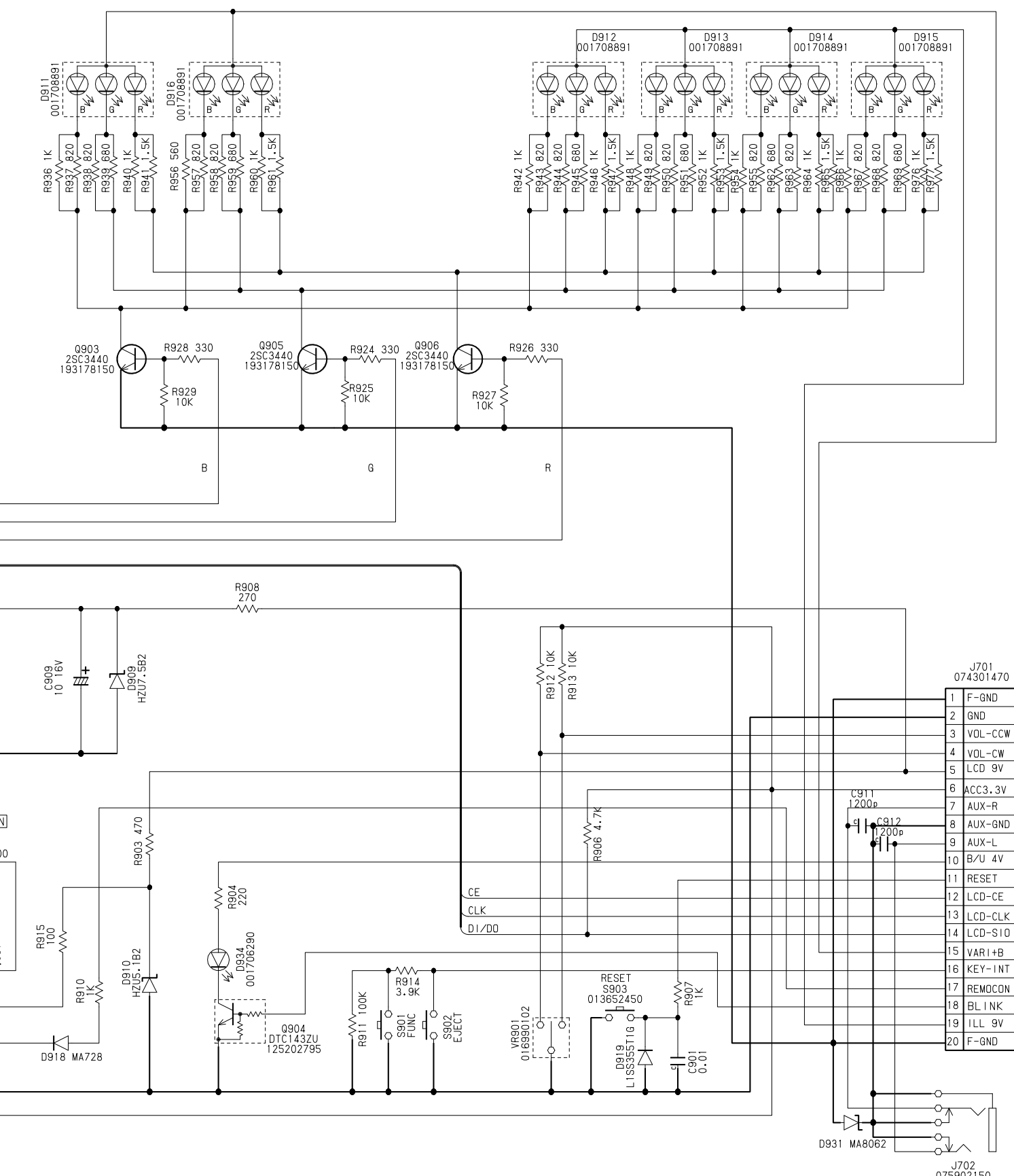
DWG NO. PE-3154Y-A-CA-4/5

PE-3154Y-A (E) PE-3154Y-B (E)



Variable Color Used in Back Light

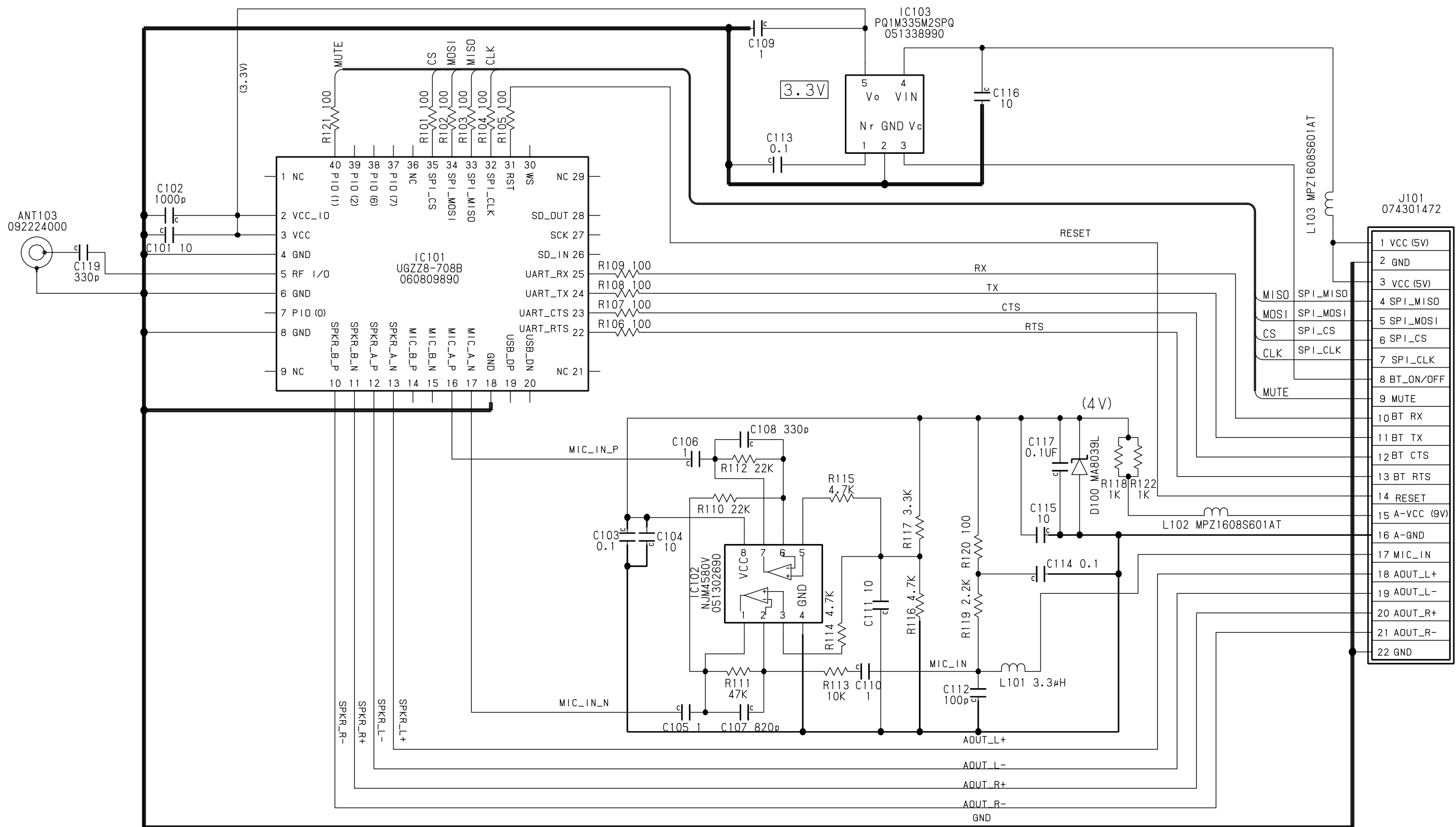
Variable Color Used in Key Light



DWG	張	081212	CAL WT(g)	MATERIAL	NAME
DSGN	張	081212	ACT WT(g)	FINISH	CIRCUIT DIAGRAM
CHK					DWG NO.
SYM	DATE	DSGN	REVISION	APPR	PE-3154Y-A-CA-5/5
MODEL	DATE	APPR			SCALE
PE-3154Y-A (E)	081212				FREE
					UNIT MM TOL
					<b>Clarion Co.,Ltd.</b>

PE-3154Y-A (U) PE-3195Y-A (U) PE-3195Y-B (U) PE-3195Y-C (U) PE-3195Y-D (U) PE-3154Y-B (E) PE-3154Y-A (E) DWG NO. PE-3154Y-A-CA-5/5





△					DWG	張	081212	CAL WT(g)	MATERIAL	NAME
△					DSGN	張	081212			CIRCUIT DIAGRAM
△					CHK			ACT WT(g)	FINISH	DWG NO.
SYM	DATE	DSGN	REVISION	APPR						PE-3156Y-A-CA-6/6
MODEL		DATE		APPR						Clarion Co.,Ltd.
PE-3156Y-A (E)		081212								
								SCALE	FREE	
								UNIT	MM	TOL

PE-3156Y-E (E) PE-3156Y-D (E) PE-3156Y-B (E) PE-3156Y-A (E) PE-3155Y-C (D) PE-3155Y-B (D) PE-3155Y-A (U) DWG NO. PE-3156Y-A-CA-6/6  
 PE-3154Y-B (E) PE-3154Y-A (E) PE-3195Y-D (U) PE-3195Y-C (D) PE-3195Y-B (D) PE-3195Y-A (U) PE-3156Y-F (E)