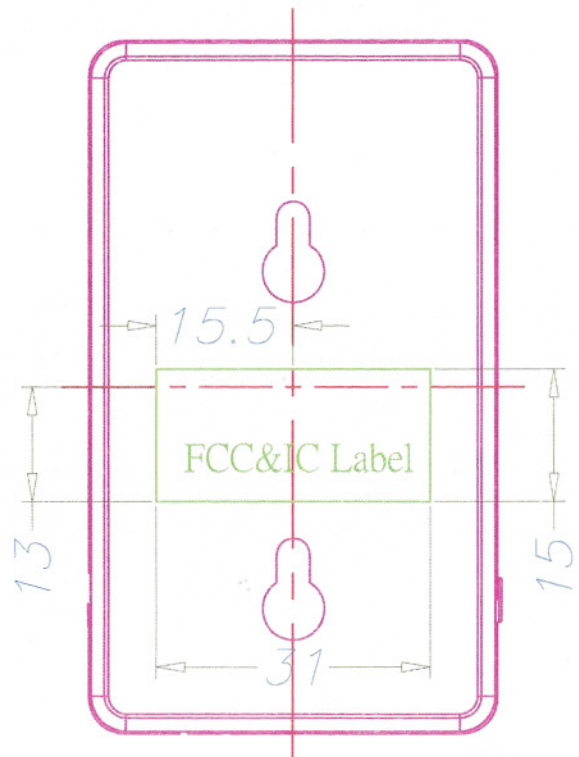




Label Location

CAPRICORN ELECTRONICS LTD.



Transmitter

Unit:mm

FCC & IC LABEL



Ross
Feb 24, 09.

FCC & IC LABEL – TX

SIZE: 15 x 31mm

INSITE WIPAN INSWTX IC: 1403B-INSWTX

FCC ID: WXL-INSWTX

This device complies with Part 15 of the FCC Rules. Operation is subject to the following two conditions: (1) This device may not cause harmful interference, and (2) This device must accept any interference received, including interference that may cause undesired operation.