

FL20S 125KHz/13.56MHz RFID Reader

1-wire Dual Frequency UID Reader

■ INTRODUCTION

FL20S is EM/Mifare UID Reader with 1-Wire and RS232 interface, designed to integrate with vehicle trackers and the other controllers. With 10~48VDC power input, it's convenient to install the reader in different vehicles. It aims to offer more flexibility to build solutions at affordable cost, can be used alternatively for iButton and get your solution working with low cost EM and Mifare cards.



■ FEATURES

- Frequency: 125KHz and 13.56MHz
- Read UID of H4001 / H4002 / EM4100/4102 EM card
- Read UID of ISO 14443A Mifare, DESFire card
- Support data Output 1-Wire, RS232
- Support the other 1-Wire input interface
- Available to install on metal surface
- Available to install on different vehicles
- Weather resistant

■ SPECIFICATIONS

OPERATING

Transmit Frequency	125KHz /13.56MHz Standard
Transponder	H4001 / H4002 / EM4100/4102 EM card ISO14443A Mifare, DESFire, Ultralight card
Reading distance	2~5 cm Typ
Interface	1-Wire / RS-232

ELECTRICAL

Power Input	10 to 48 VDC
Current Consumption	About 30 mA @12VDC

MECHANICAL

Dimensions	Length : 82.6 mm / Width : 47 mm / Height : 17 mm
Weight	110 gm (With Cable)
Cable Length	90 cm +/- 2cm

ENVIRONMENTAL

Temperature	Operating : -20 °C to 70 °C Storage : -30 °C to 80 °C
Humidity	Operating : 10 % to 90 % noncondensing Storage : Up to 90% noncondensing

LIMITED WARRANTY

Giga-Tms warrants that the products sold pursuant to this Agreement will perform in accordance with Giga-Tms's published specifications. This warranty shall be provided only for a period of **one year** from the date of the shipment of the product from Giga-Tms (the "Warranty Period"). This warranty shall apply only to the "Buyer" (the original purchaser, unless that entity resells the product as authorized by Giga-Tms, in which event this warranty shall apply only to the first re-purchaser).

During the Warranty Period, should this product fail to conform to Giga-Tms's specifications, Giga-Tms will, at its option, repair or replace this product at no additional charge except as set forth below. Repair parts and replacement products will be furnished on an exchange basis and will be either reconditioned or new. All replaced parts and products become the property of Giga-Tms. This limited warranty does not include service to repair damage to the product resulting from accident, disaster, unreasonable use, misuse, abuse, negligence, or modification of the product not authorized by Giga-Tms. Giga-Tms reserves the right to examine the alleged defective goods to determine whether the warranty is applicable.

Without limiting the generality of the foregoing, Giga-Tms specifically disclaims any liability or warranty for goods resold in other than Giga-Tms's original packages, and for goods modified, altered, or treated without authorization by Giga-Tms.

Service may be obtained by delivering the product during the warranty period to Giga-Tms (8F No. 31 Lane 169, Kang Ning Street, Hsi Chih Dist New Taipei City, Taiwan). If this product is delivered by mail or by an equivalent shipping carrier, the customer agrees to insure the product or assume the risk of loss or damage in transit, to prepay shipping charges to the warranty service location, and to use the original shipping container or equivalent. Giga-Tms will return the product, prepaid, via a three (3) day shipping service. A Return Material Authorization ("RMA") number must accompany all returns. Buyers may obtain an RMA number by contacting with sales@gigatms.com.tw

EACH BUYER UNDERSTANDS THAT THIS GIGA-TMS PRODUCT IS OFFERED AS IS. GIGA-TMS MAKES NO OTHER WARRANTY, EXPRESS OR IMPLIED, AND GIGA-TMS DISCLAIMS ANY WARRANTY OF ANY OTHER KIND, INCLUDING ANY WARRANTY OF MERCHANTABILITY OR FITNESS FOR A PARTICULAR PURPOSE.

IF THIS PRODUCT DOES NOT CONFORM TO GIGA-TMS'S SPECIFICATIONS, THE SOLE REMEDY SHALL BE REPAIR OR REPLACEMENT AS PROVIDED ABOVE. GIGA-TMS'S LIABILITY, IF ANY, SHALL IN NO EVENT EXCEED THE TOTAL AMOUNT PAID TO GIGA-TMS UNDER THIS AGREEMENT. IN NO EVENT WILL GIGA-TMS BE LIABLE TO THE BUYER FOR ANY DAMAGES, INCLUDING ANY LOST PROFITS, LOST SAVINGS, OR OTHER INCIDENTAL OR CONSEQUENTIAL DAMAGES ARISING OUT OF THE USE OF, OR INABILITY TO USE, SUCH PRODUCT, EVEN IF GIGA-TMS HAS BEEN ADVISED OF THE POSSIBILITY OF SUCH DAMAGES, OR FOR ANY CLAIM BY ANY OTHER PARTY.

LIMITATION ON LIABILITY

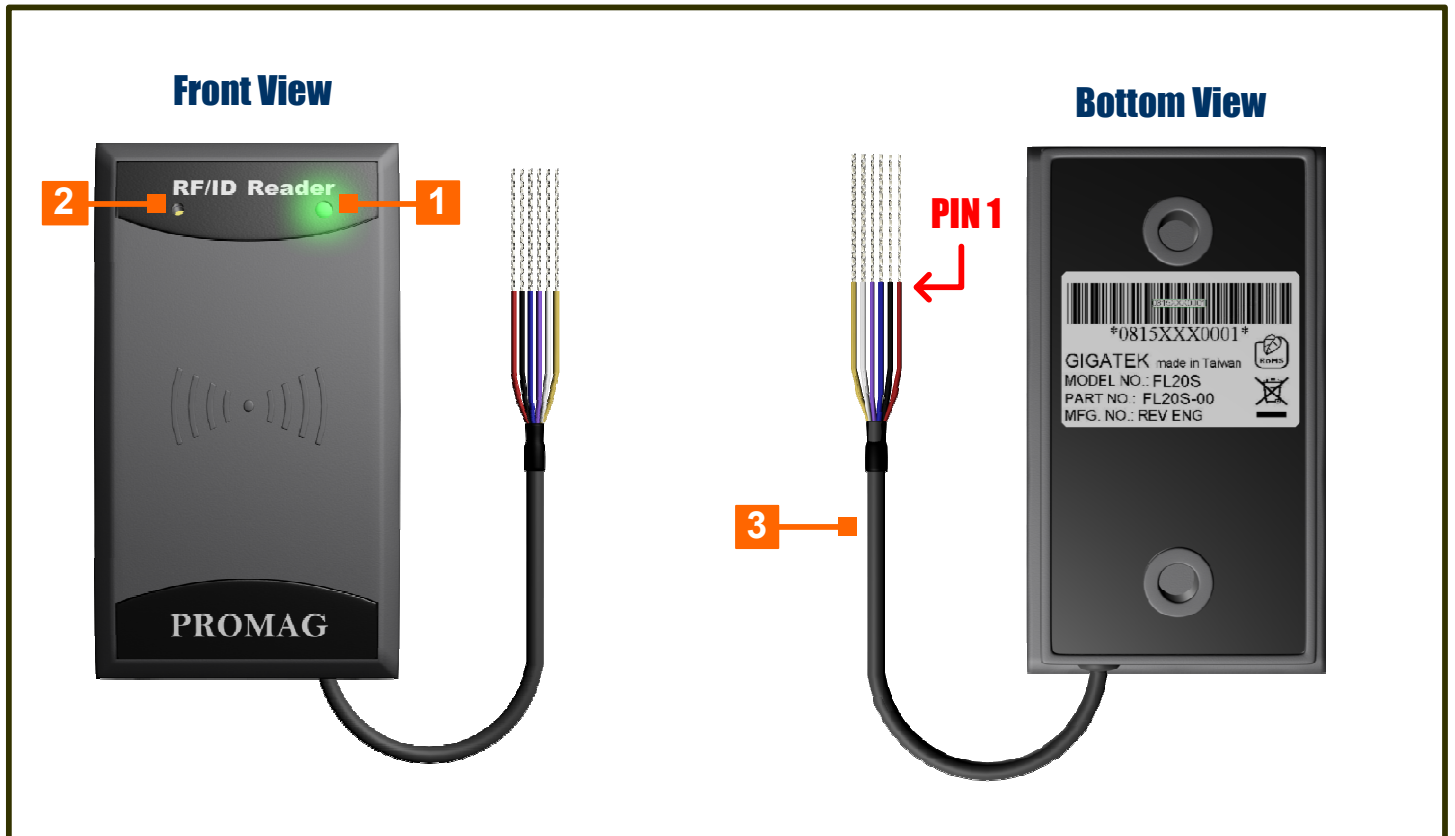
EXCEPT AS PROVIDED IN THE SECTIONS RELATING TO GIGA-TMS'S LIMITED WARRANTY, GIGA-TMS'S LIABILITY UNDER THIS AGREEMENT IS LIMITED TO THE CONTRACT PRICE OF THIS PRODUCT.

GIGA-TMS MAKES NO OTHER WARRANTIES WITH RESPECT TO THE PRODUCT, EXPRESSED OR IMPLIED, EXCEPT AS MAY BE STATED IN THIS AGREEMENT, AND GIGA-TMS DISCLAIMS ANY IMPLIED WARRANTY, INCLUDING WITHOUT LIMITATION ANY IMPLIED WARRANTY OF MERCHANTABILITY OR FITNESS FOR A PARTICULAR PURPOSE.

GIGA-TMS SHALL NOT BE LIABLE FOR CONTINGENT, INCIDENTAL, OR CONSEQUENTIAL DAMAGES TO PERSONS OR PROPERTY. GIGA-TMS FURTHER LIMITS ITS LIABILITY OF ANY KIND WITH RESPECT TO THE PRODUCT, INCLUDING ANY NEGLIGENCE ON ITS PART, TO THE CONTRACT PRICE FOR THE GOODS.

GIGA-TMS'S SOLE LIABILITY AND BUYER'S EXCLUSIVE REMEDIES ARE STATED IN THIS SECTION AND IN THE SECTION RELATING TO GIGA-TMS'S LIMITED WARRANTY.

■ TERMINAL / INDICATOR DESCRIPTIONS



1 LED Indicator

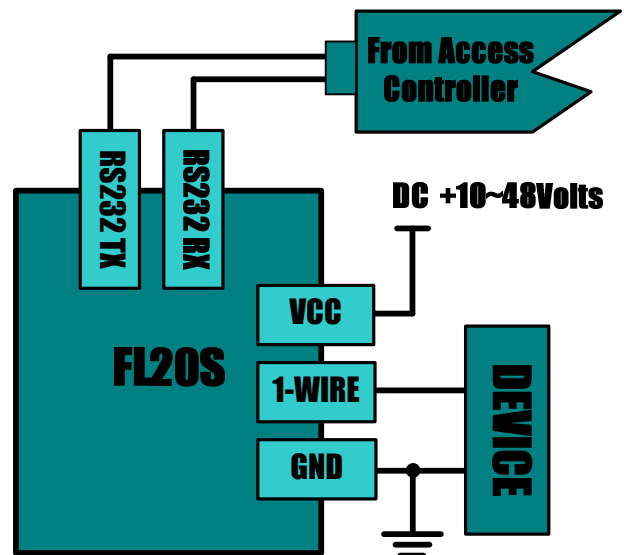
Green	Red	Description
On	Off	Standby
Blink	Off	Read OK
Off	Blink	Read Error
On	On	ISP Mode

2 Sound Indicator

Buzzer	Description
Bi-	Read OK
Bi-Bi-Bi	Read Error

3 6 Pin Terminal

Pin	Color	Signal	Description
1	Red	VCC	Power Input: 10~48 Volts
2	Black	GND	Power Ground
3	Blue	1-Wire	DATA In/Out
4	Purple	1-Wire	To Next Device
5	White	TX	RS232 TX (transmit)
6	Yellow	RX	RS232 RX (receive)



■ OUTPUT FORMAT

1-Wire Structure (Serial ASCII)

Baud Rate : 19200,N,8,1

CRC(2 HEX)	UNIQUE SERIALDATA(12 HEX)	Family Code(2 HEX)
------------	-----------------------------	--------------------

All 1-Wire devices, including iButton devices, contain an 8-byte unique registration number.

The computation begins with the MSB of the 64-bit,

This 1-Wire Data consists of an 8-bit CRC, a unique 48-bit serial number and an 8-bit family code.

RS232 Data Structure (Serial ASCII)

Baud Rate : 19200,N,8,1

STX(2 HEX)	DATA(8 or 10 HEX)	CR(2 HEX)	LF(2 HEX)	ETX(2 HEX)
------------	---------------------	-----------	-----------	------------

The start character is factory defined as an 'STX' (02 HEX). This is followed by 8 Hex characters of data for Mifare Card, 10 Hex characters of data for EM Card.

The CR/LF characters serve to bring the received screen text back to the left hand side and on the line below after the data bytes have been sent.

The 'ETX' (03 HEX) character denotes the end of the current transmission.

[Ex.]

Get Device Name

Host to FL20S

STX	"D"	CR
-----	-----	----

Host form FL20S

STX	"A"	","	"FL20s"	CR
-----	-----	-----	---------	----

Get Device Version

Host to FL20S

STX	"V"	CR
-----	-----	----

Host form FL20S

STX	"A"	","	"ROM-T1727"	","	"V1.00R1"	CR
-----	-----	-----	-------------	-----	-----------	----

INTERFACE OPTION

The default interface for FL20S is 1-Wire. For RS232 interface, please follow its pin assignment as below and use software to set up interface.

1. Connect the FL20S unit with your computer.



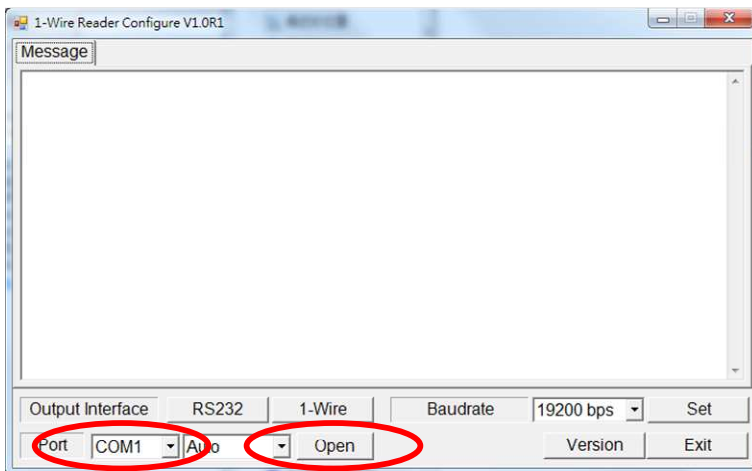
←→
RS232



RED	BLACK	WHITE	YELLOW
VDD	GND	TX	RX

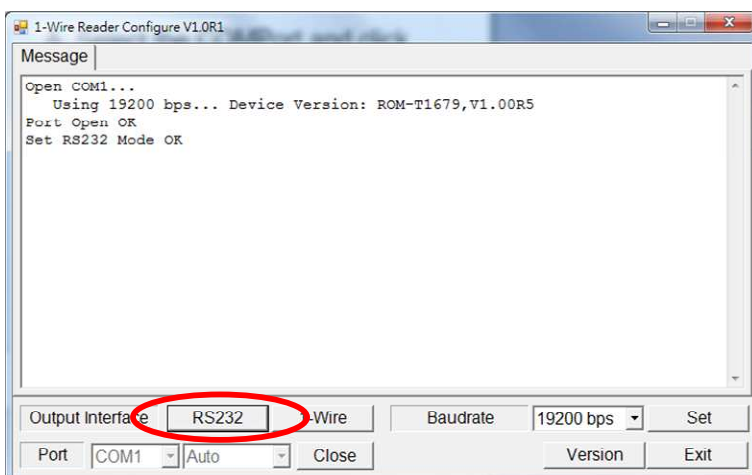
2. Download **1-Wire Reader Configure** software from below link for installation:

<http://ftp.gigatms.com.tw/disks/disk5478>



A. Select the COMPort and click the “open” to execute software.

B. Click the “RS232 Output” and “Exit”.





CAUTION:

The crossed out wheeled bin label that can be found on your product indicates that this product should not be disposed of via the normal household waste stream.

To prevent possible harm to the environment or human health please separate this product from other waste streams to ensure that it can be recycled in an environmentally sound manner.

For more details on available collection facilities please contact your local government office or the retailer where you purchased this product.

This information only applies to customers in the European Union.

For other countries, please contact your local government to investigate the possibility of recycling your product.

Federal Communication Commission Interference Statement

This equipment has been tested and found to comply with the limits for a Class B digital device, pursuant to Part 15 of the FCC Rules. These limits are designed to provide reasonable protection against harmful interference in a residential installation.

This equipment generates, uses and can radiate radio frequency energy and, if not installed and used in accordance with the instructions, may cause harmful interference to radio communications. However, there is no guarantee that interference will not occur in a particular installation. If this equipment does cause harmful interference to radio or television reception, which can be determined by turning the equipment off and on, the user is encouraged to try to correct the interference by one of the following measures:

- . Reorient or relocate the receiving antenna.
- . Increase the separation between the equipment and receiver.
- . Connect the equipment into an outlet on a circuit different from that to which the receiver is connected.
- . Consult the dealer or an experienced radio/TV technician for help.

FCC Caution: To assure continued compliance, any changes or modifications not expressly approved by the party responsible for compliance could void the user's authority to operate this equipment. (Example - use only shielded interface cables when connecting to computer or peripheral devices).

This device complies with Part 15 of the FCC Rules. Operation is subject to the following two conditions:

- (1) This device may not cause harmful interference, and
- (2) This device must accept any interference received, including interference that may cause undesired operation.