

# AC908A

# User's Manual

---

Published: 4/26/2023

Version 1.0.2

This document describes the AC908A product and relevant software operation supplied by GIGA-TMS INC. To check for more recent editions of this document, see <http://ftp.gigatms.com.tw/disks/DISK5497/>

GIGA-TMS INC.

## FEDERAL COMMUNICATIONS COMMISSION INTERFERENCE STATEMENT

This equipment has been tested and found to comply with the limits for a Class B digital device, pursuant to part 15 of the FCC Rules. These limits are designed to provide reasonable protection against harmful interference in a residential installation. This equipment generates, uses and can radiate radio frequency energy and, if not installed and used in accordance with the instructions, may cause harmful interference to radio communications. However, there is no guarantee that interference will not occur in a particular installation. If this equipment does cause harmful interference to radio or television reception, which can be determined by turning the equipment off and on, the user is encouraged to try to correct the interference by one or more of the following measures:

- Reorient or relocate the receiving antenna.
- Increase the separation between the equipment and receiver.
- Connect the equipment into an outlet on a circuit different from that to which the receiver is connected.
- Consult the dealer or an experienced radio/ TV technician for help.

### **CAUTION:**

Any changes or modifications not expressly approved by the grantee of this device could void the user's authority to operate the equipment.

### **RF exposure warning**

This equipment must be installed and operated in accordance with provided instructions and the antenna(s) used for this transmitter must be installed to provide a separation distance of at least 20 cm from all persons and must not be co-located or operating in conjunction with any other antenna or transmitter. End-users and installers must be provide with antenna installation instructions and transmitter operating conditions for satisfying RF exposure compliance.

### **Canada, Industry Canada (IC) Notices**

This device complies with Industry Canada's licence-exempt RSSs. Operation is subject to the following two conditions:

- (1) This device may not cause interference; and
- (2) This device must accept any interference, including interference that may cause undesired operation of the device.

### **Canada, avis d'Industry Canada (IC)**

Le présent appareil est conforme aux CNR d'Industrie Canada applicables aux appareils radio exempts de licence.

L'exploitation est autorisée aux deux conditions suivantes :

- (1) l'appareil ne doit pas produire de brouillage, et
- (2) l'utilisateur de l'appareil doit accepter tout brouillage radioélectrique subi, même si le brouillage est susceptible d'en compromettre le fonctionnement.

### **Radio Frequency (RF) Exposure Information**

The radiated output power of the Wireless Device is below the Industry Canada (IC) radio frequency exposure limits. The Wireless Device should be used in such a manner such that the potential for human contact during normal operation is minimized.

This device has also been evaluated and shown compliant with the IC RF Exposure limits under mobile exposure conditions. (antennas are greater than 20cm from a person's body).

## **Informations concernant l'exposition aux fréquences radio (RF)**

La puissance de sortie émise par l'appareil de sans fil est inférieure à la limite d'exposition aux fréquences radio d'Industry Canada (IC). Utilisez l'appareil de sans fil de façon à minimiser les contacts humains lors du fonctionnement normal.

Ce périphérique a également été évalué et démontré conforme aux limites d'exposition aux RF d'IC dans des conditions d'exposition à des appareils mobiles (antennes sont supérieures à 20 cm à partir du corps d'une personne).

## **DEMONSTRATION SOFTWARE LICENSE**

Please read this agreement carefully before you start to install this demonstration software. If you do not agree please stop the installation of the software.

Software developed by GITA-TMS INC is provided "AS IS" without warranty of any kind, either express or implied, including, but not limited to, the implied warranties of fitness for a purpose, or the warranty of non-infringement. Without limiting the forgoing GIGA-TMS INC makes no warranty that:

- The software will meet you requirements.
- The software will be uninterrupted, timely, secure or error-free.
- The results that may be obtained from the use of the software will be effective, accurate or reliable.
- The quality of the software will meet your expectations.
- Any errors in the software obtained from GIGA-TMS INC will be corrected.

The software and its documentation made available for test or demo purpose

- could include technical or other errors, GIGA-TMS INC may make changes to the software or documentation made available to shipped with the conjunction products
- may be out of date, and GIGA-TMS INC makes no responsibility to update such materials

In no event shall GIGA-TMS INC be liable to you or any third party for any special incidental, indirect or consequential damages of any kind, or any damages whatsoever, including, without limitation, those resulting from loss of use, data or profits, whether or not GIGA-TMS INC has been advised of the possibility of damage, and on any theory of liability, arising out of or in connection with the use of the software.

The installation of the software is done at your own consideration and risk and with agreement that you will be solely responsibility for any damage to your system or loss of data that results from such activities.

## LIMITED WARRANTY

GIGA-TMS warrants that the products sold pursuant to this Agreement will perform in accordance with GIGA-TMS's published specifications. This warranty shall be provided only for a period of **one year** from the date of the shipment of the product from GIGA-TMS (the "Warranty Period"). This warranty shall apply only to the "Buyer" (the original purchaser, unless that entity resells the product as authorized by GIGA-TMS, in which event this warranty shall apply only to the first re-purchaser).

During the Warranty Period, should this product fail to conform to GIGA-TMS's specifications, GIGA-TMS will, at its option, repair or replace this product at no additional charge except as set forth below. Repair parts and replacement products will be furnished on an exchange basis and will be either reconditioned or new. All replaced parts and products become the property of GIGA-TMS. This limited warranty does not include service to repair damage to the product resulting from accident, disaster, unreasonable use, misuse, abuse, negligence, or modification of the product not authorized by GIGA-TMS. GIGA-TMS reserves the right to examine the alleged defective goods to determine whether the warranty is applicable.

Without limiting the generality of the foregoing, GIGA-TMS specifically disclaims any liability or warranty for goods resold in other than GIGA-TMS's original packages, and for goods modified, altered, or treated without authorization by GIGA-TMS.

Service may be obtained by delivering the product during the warranty period to GIGA-TMS (8F No. 31 Lane 169, Kang Ning Street, Hsi Chih Dist New Taipei City, Taiwan). If this product is delivered by mail or by an equivalent shipping carrier, the customer agrees to insure the product or assume the risk of loss or damage in transit, to prepay shipping charges to the warranty service location, and to use the original shipping container or equivalent. GIGA-TMS will return the product, prepaid, via a three (3) day shipping service. A Return Material Authorization ("RMA") number must accompany all returns. Buyers may obtain an RMA number by contacting Technical Support at +886-2-26954214.

**EACH BUYER UNDERSTANDS THAT THIS GIGA-TMS PRODUCT IS OFFERED AS IS. GIGA-TMS MAKES NO OTHER WARRANTY, EXPRESS OR IMPLIED, AND GIGA-TMS DISCLAIMS ANY WARRANTY OF ANY OTHER KIND, INCLUDING ANY WARRANTY OF MERCHANTABILITY OR FITNESS FOR A PARTICULAR PURPOSE.**

IF THIS PRODUCT DOES NOT CONFORM TO GIGA-TMS'S SPECIFICATIONS, THE SOLE REMEDY SHALL BE REPAIR OR REPLACEMENT AS PROVIDED ABOVE. GIGA-TMS'S LIABILITY, IF ANY, SHALL IN NO EVENT EXCEED THE TOTAL AMOUNT PAID TO GIGA-TMS UNDER THIS AGREEMENT. IN NO EVENT WILL GIGA-TMS BE LIABLE TO THE BUYER FOR ANY DAMAGES, INCLUDING ANY LOST PROFITS, LOST SAVINGS, OR OTHER INCIDENTAL OR CONSEQUENTIAL DAMAGES ARISING OUT OF THE USE OF, OR INABILITY TO USE, SUCH PRODUCT, EVEN IF GIGA-TMS HAS BEEN ADVISED OF THE POSSIBILITY OF SUCH DAMAGES, OR FOR ANY CLAIM BY ANY OTHER PARTY.

## LIMITATION ON LIABILITY

EXCEPT AS PROVIDED IN THE SECTIONS RELATING TO GIGA-TMS'S LIMITED WARRANTY, GIGA-TMS'S LIABILITY UNDER THIS AGREEMENT IS LIMITED TO THE CONTRACT PRICE OF THIS PRODUCT.

GIGA-TMS MAKES NO OTHER WARRANTIES WITH RESPECT TO THE PRODUCT, EXPRESSED OR IMPLIED, EXCEPT AS MAY BE STATED IN THIS AGREEMENT, AND GIGA-TMS DISCLAIMS ANY IMPLIED WARRANTY, INCLUDING WITHOUT LIMITATION ANY IMPLIED WARRANTY OF MERCHANTABILITY OR FITNESS FOR A PARTICULAR PURPOSE.

GIGA-TMS SHALL NOT BE LIABLE FOR CONTINGENT, INCIDENTAL, OR CONSEQUENTIAL DAMAGES TO PERSONS OR PROPERTY. GIGA-TMS FURTHER LIMITS ITS LIABILITY OF ANY KIND WITH RESPECT TO THE PRODUCT, INCLUDING ANY NEGLIGENCE ON ITS PART, TO THE CONTRACT PRICE FOR THE GOODS.

GIGA-TMS'S SOLE LIABILITY AND BUYER'S EXCLUSIVE REMEDIES ARE STATED IN THIS SECTION AND IN THE SECTION RELATING TO GIGA-TMS'S LIMITED WARRANTY.

# Terminology

<b>HF</b>	High Frequency
<b>RF</b>	Radio frequency
<b>RFID</b>	Radio-frequency identification
<b>AC908A</b>	The wall-mount HF reader used for access control and payment system.
<b>Tag ID</b>	Tag-identification or Tag identifier, depending on context
<b>Tag Data</b>	The data stored in the tag memory.
<b>Blacklist</b>	A table defines a set of <b>Tag ID</b> that prohibit on using the reader.

# Contents

Terminology .....	5
Contents .....	6
Introduction .....	8
Hardware Features.....	9
Cable and Controls.....	9
RFID Reader.....	9
Cable .....	9
Status LED.....	11
Buzzer.....	11
Bluetooth (BLE) .....	11
Hardware Installation.....	12
Part Numbers .....	13
Specification.....	14
Model.....	15
Command Operations.....	15
Card Verification.....	15
Management Operation .....	16
Deduction Operation .....	16
Access Control Operation .....	17
Device Parameters .....	18
MID.....	18
FID .....	18
Card Type (CT).....	18
System Code.....	18
Advance (Overdraft).....	18
Pay Mode .....	19
Value.....	19
Delay Time.....	19
DO1: Period Time.....	19
LED Status.....	19
Black List.....	19
Card Information.....	21
User Card (V3).....	21
Settings Manager Card.....	21
Data/Time Manager Card .....	21
Data/Time Manager Card V2 .....	21
Black List Manager Card.....	21
Master Manager Card .....	21
Device Operations.....	22

Operation Status for Status LED and Buzzer .....	22
Transaction Log .....	22
Frequently Asked Questions .....	23
Update History .....	24

# Introduction

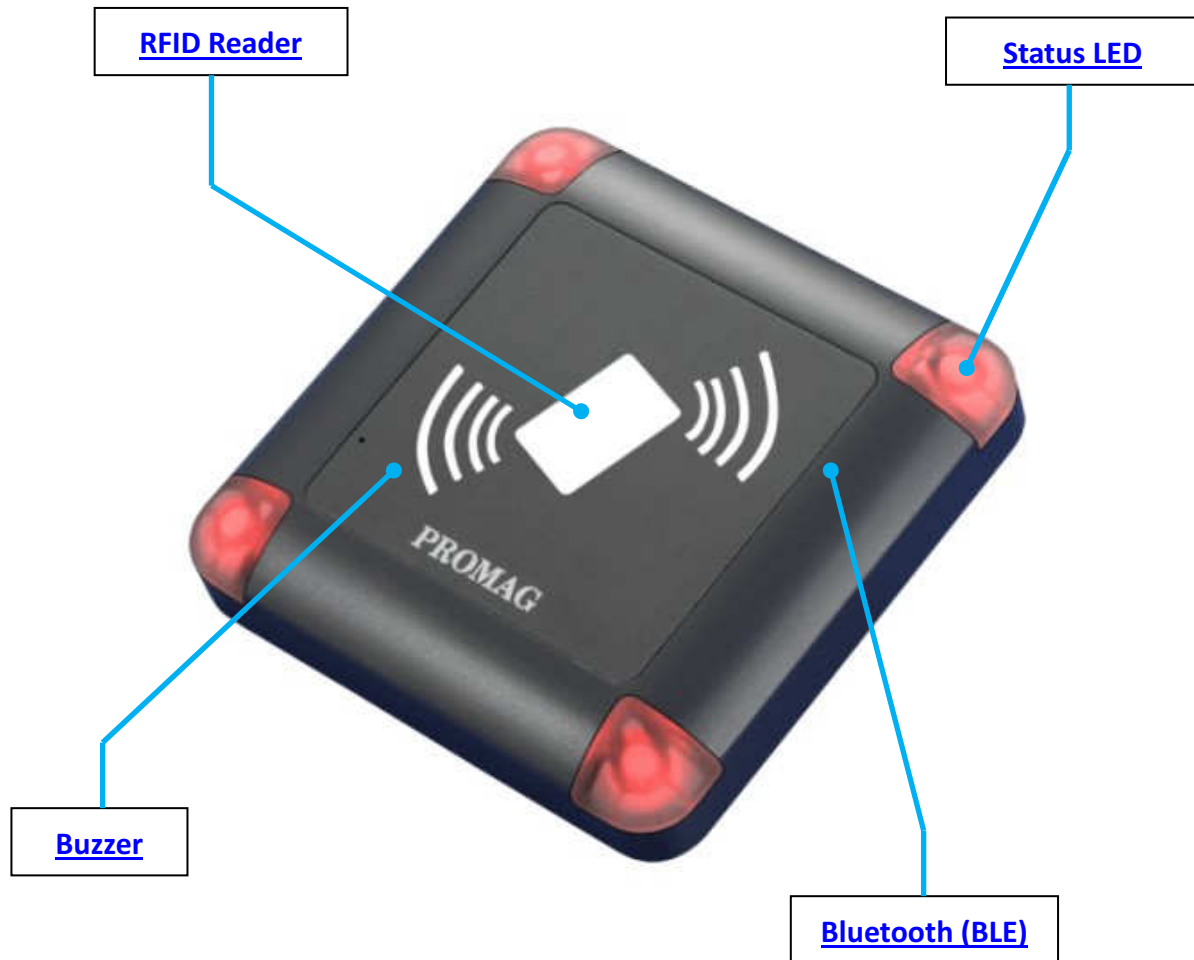
The Cash Card Payment System is designed for the application of proximity cards of 13.56 MHz compliant with ISO 14443A. The idea is that consumers pay for all consumption by card instead of cash. First the proximity card needs to be programmed and stored with values or amounts by a Read/Write Device (RWD) PRW106. Then consumers bring the programmed cash card with them to the Reader end, AC908A, for transaction. Whenever the cash card is read by AC908A, the preset decrement will be deducted from the card and the new value or amount will be rewritten to it.

This system can also be applied in Access Control purpose. Please refer to [Device Operations](#) topic for more details.



# Hardware Features

## Cable and Controls



## RFID Reader

The RFID reader can read and write the on card memory with the card type of **Mifare** MF1 standard cards 1K/4K bytes for **ISO14443A**.

The reading distance is about 2 ~ 4 cm. The format of the card data must obey the definitions.

You can direct to present the card on this area to make **AC908A** to access.

## Cable

The cable attached and fixed behind the **AC908A** device, includes the communicate data lines, I/O lines and power line.

## Wire Assignment

Color	Symbol	I/O	Description
Red	VCC	IN	Power Input: DC 9V ~ 24V (Max. DC 24V)
Yellow	TXD	OUT	RS232 TXD (To host RXD)
Blue	RXD	IN	RS232 RXD (To Host TXD)
Green	REV	IN	Stop Deduction Operation
White	NO	-	Relay, Normal Open
Light Blue	COM	-	Relay, Common
Brown	NC	-	Relay, Normal Close
Black	GND	IN	Power Ground
Purple	T-	OUT	RS485 Diff. Signal (-)
Gray	T+	IN	RS485 Diff. Signal (+)

## Relay Output Line

The **AC908A** device has one relay which outputs as lines in the [cable](#). The relay is rated for 3A/30VDC.

Line color	Function
White	Normal Open line
Light Blue	Common line
Brown	Normal Close line

## RS232 Data Line

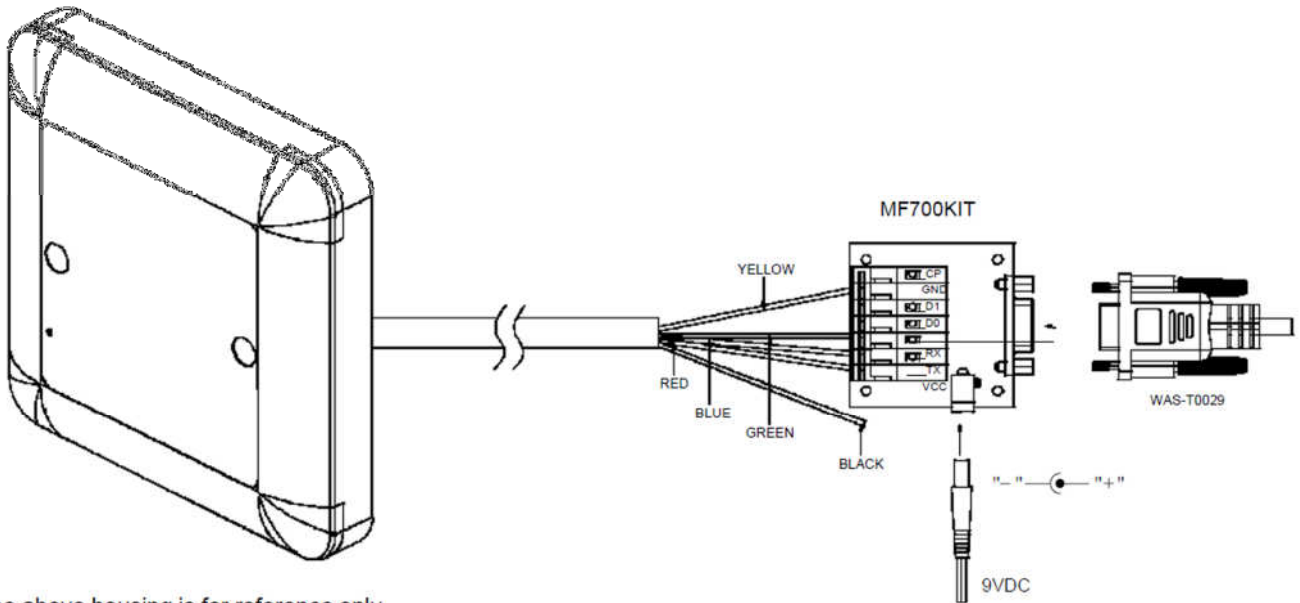
The **RS232** data lines are mainly used to 1) configure reader settings and 2) upload the firmware.

Data line color	Function
White	TXD data line
Gray	RXD data line

The handshaking for **RS232** data line:

- **Baud rate:** 19,200 bps
- **Parity check:** None
- **Data bits:** 8 bits
- **Stop bit:** 1 bit

You can connect RS232 data line to **MF700KIT**, then can connect reader to the computer.



The above housing is for reference only

## RS485 Data Line

The RS485 data lines support a multi-device connected network.

Data line color	Function
Purple	RS485 '-' pin (inverting pin) data line
Gray	RS485 '+' pin (non-inverting pin) data line

The handshaking for **RS485** data line:

- **Baud rate:** 38,400 bps
- **Parity check:** None
- **Data bits:** 8 bits
- **Stop bit:** 1 bit

## Status LED

The **Status LED** can light 2 colors – green and red, which is used to indicate [operation status or result](#).

## Buzzer

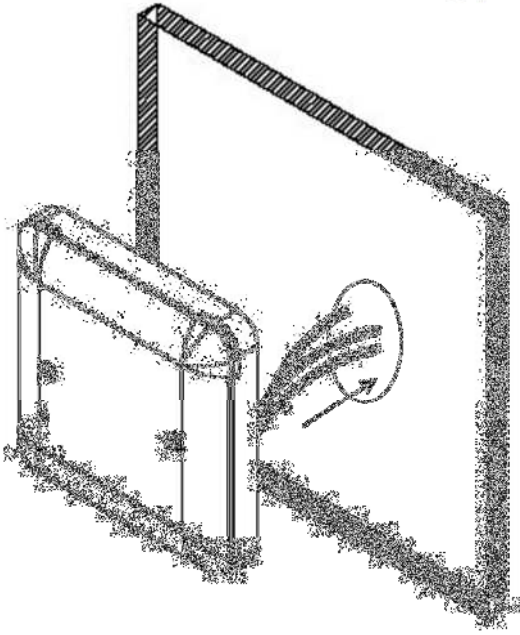
The buzzer is used to make beep sound to notify the user the [operation result](#).

## Bluetooth (BLE)

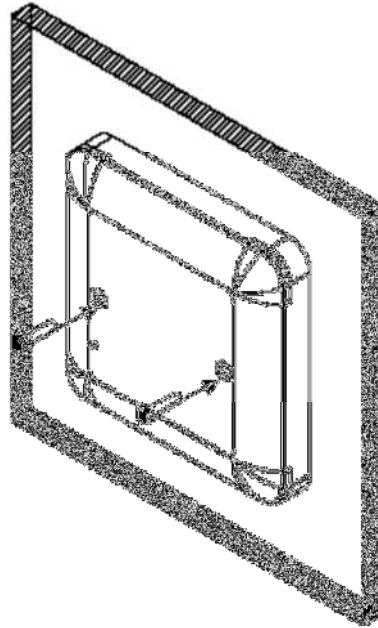
The Bluetooth module (BLE) provides wireless connectivity which makes **AC908A** can connect to BLE-enabled host, such as mobile device or laptop.

# Hardware Installation

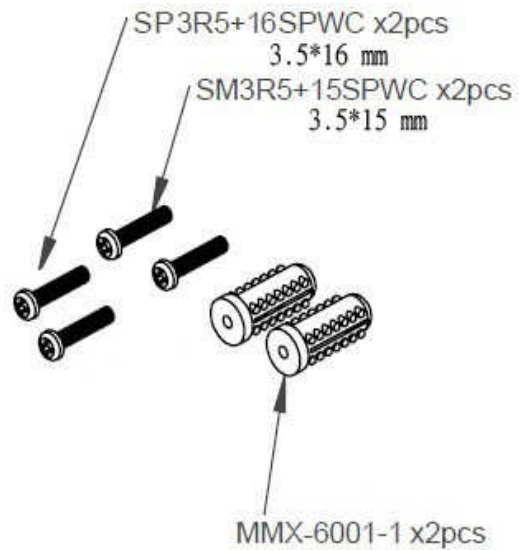
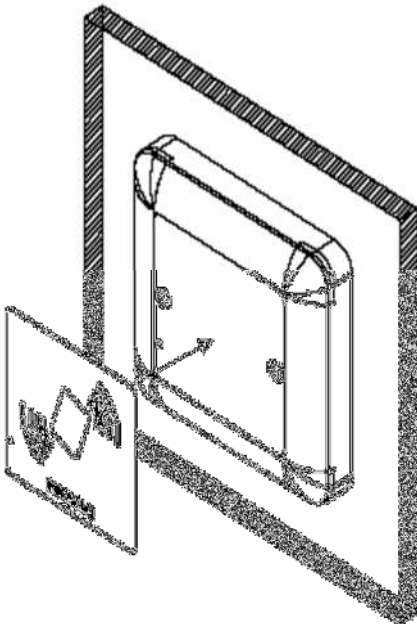
Step 1. Put all wires of AC908 through the hole of mounting place.



Step 2. Mount the AC908 by the screw.

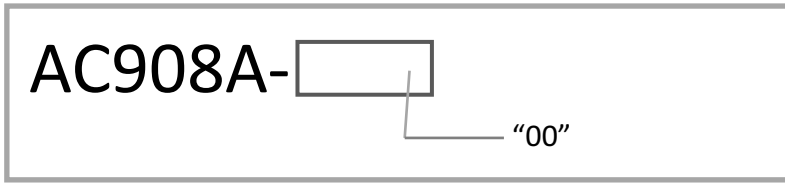


Step 3. Mount the PROMAG logo plate on AC908.



# Part Numbers

Device numbering scheme is as follows:



Part Number	Description
AC908A-00	The standard version.

# Specification

<b>Features</b>	
Card Type	Mifare MF1 standard cards 1K/4K bytes for ISO14443A
Read Range	2 ~ 4 cm
Number of Event Log	1,000
Number of Blacklist Card	1024
Status Indicator	4 RGB LEDs
Buzzer	1
Relay	1
RTC with backup battery	Yes (10 years)
Waterproof	Yes
<b>Communication</b>	
RS232 speed	19,200 bit/s
RS485 network speed	38,400 bit/s
Bluetooth	V4.0, Bluetooth Classic and Low Energy (BLE)
<b>Electrical</b>	
Input Voltage	9V~24V = 0.5A
RF Frequency	13.56 MHz
Relay - Rating Load	3A/30VDC
<b>Environment</b>	
Operating Temperature	0C ~ +50C
Storage Temperature	-10C ~ +60C
Humidity	10 ~ 90 relative
<b>Dimensions</b>	
Width	105 mm
Height	105 mm
Depth	20.74 mm

# Model

When AC908A stays in idle state, it will keep scanning card, once a card presented and detected, it will do the [Card Verification](#). If the verification is OK, then it will go to execute the [Command Operations](#). AC908A will stop scanning card during the period of relay opened or alarm sounding.

## Command Operations

The **Command Operations** is an action that is determined by the content of card memory. The **Command Operations** has 3 types, AC908A executes one of them according to the [Card Type](#) value that is reading from the card memory.

**Command Operations** contains following operation types:

- [Management Operation](#)
  - Application: Manage device parameter settings.
  - Card Type: [Settings Manage Card](#), [Date/Time Manager Card](#), [Blacklist Manager Card](#), [Master Card](#).
  - Function: Update device parameter settings.
- [Deduction Operation](#)
  - Application: Payment System.
  - Card Type: [User Card](#) (When AC908A's [Value](#) setting is larger than 0).
  - Function: Deduct the card's balance value, trigger relay, control I/O switch.
- [Access Control Operation](#)
  - Application: Access Control System
  - Card Type: [User Card](#) (When AC908A's [Value](#) setting is 0).
  - Function: Verify card UID (CSN), trigger relay control I/O switch.

## Card Verification

When AC908A detects a card, it will start verifying this card. If the verification result is OK, then AC908A will go to execute [Command Operations](#).

Following shows the [User Card](#) verification procedure:

1. Reads card UID and then check the card UID if is listed in the [Black List](#). If so, AC908A will show [an error beeps and LED light](#), then return to idle state.
2. Checks the AC908A's **anti-passback** setting. If is enabled, AC908A will check the last transaction time of this card by UID. If the elapsed time is over than defined anti-passback time, AC908A will show [an error beeps and LED light](#), then return to idle state.
3. Reads card's [System Code](#) setting. If is not identical to AC908A's system code. AC908A will show [an error beeps and LED light](#), then return to idle state.

4. Check the card's valid usage setting. If is expired or not yet take effect, AC908A will show [an error beeps and LED light](#), then return to idle state.

Following shows the **Manager Card** verification procedure:

1. Reads card's [System Code](#) setting. If is not identical to AC908A's system code. AC908A will show [an error beeps and LED light](#), then return to idle state.
2. Reads card's settings and search the sector setting's [FID](#) is identical to reader's [FID](#). If is not found, AC908A will show [an error beeps and LED light](#), then return to idle state. Step #2 is only for [Settings Manager Card](#).

**Manager Card** contains:

- [Settings Manager Card](#)
- [Date/Time Manager Card](#)
- [Black List Card](#)
- [Master Manager Card](#)

Once the card verification result is OK, AC908A will execute the [Command Operations](#).

## Management Operation

The **Management Operation** is the process of updating the settings stored in the **Manager Card** to AC908A. If you want to change AC908A settings without connecting it to computer, then using **Manager Card** will be a solution.

## Deduction Operation

When the AC908A's [Value](#) setting is larger than 0, then the application is used for payment system.

Before doing **Deduction Operation**, AC908A will confirm following conditions. If is OK, then it will deduct the [User Card](#)'s balance value, trigger the relay and control switch.

Following is the **Deduction Operation** procedure:

1. Reads card's log data. If the card memory is full and not allow overwrite the oldest log record, AC908A will show [an error beeps and LED light](#), then return to idle state.
2. Checks card's balance is enough or not (compare to AC908A's [Value](#) setting). If card balance is not enough, then check AC908A's [Overdraft](#) the setting (a draft in excess of the credit balance).
3. If #1 and #2 meet the requirement, then AC908A will deduct card's balance by AC908A's [Value](#) setting.
4. Save the log [Record](#) to card memory.
5. Save the log [Record](#) to AC908's internal memory.
6. Trigger relay for defined [Period Time](#). AC908A shows [success operation state](#) to notify user.
7. According to AC908A's [Pay Mode](#) to determine the method of deduction – By Count or By Time. If the



[Pay Mode](#) is By Count, AC908A will send Halt command to card, which means the card needs to remove form AC908A then can go for next deduction.

## Access Control Operation

When the AC908A's [Value](#) setting is equal or smaller than 0, then the application is used for access control system.

Before doing **Access Control Operation**, AC908A will confirm following conditions. If is OK, then it will trigger the relay to control the door lock or I/O switch.

Following is the **Access Control Operation** procedure:

1. Check the AC908A's MID if is listed in the card's **Door Access MID List** (this list can be set up by **Card Issue** program with using **PRW106** card writer).
2. Check the card if is Mater Card.
3. Check the AC908A's MID and RTC if is meet the requirement of card's **DAID Usage Period** setting (this settings can be set up by **Card Issue** program with using **PRW106** card writer).
4. If all of above #1, #2 and #3 condition is not meet the requirement, AC908A will show [an error beeps and LED light](#), then return to idle state.
5. AC908A sends Halt command to card, which means the card needs to remove form AC908A then can go for next operation.
6. AC908A triggers relay for defined [Period Time](#). AC908A shows [success operation state](#) to notify user.

# Device Parameters

## MID

Default: 0

Machine ID. This ID is AC908A identifier number. The MID value ranges from 1 to 255.

## FID

Default: 0

This is mainly for on-site setting of the device properties by Manager Card. Readers of the same functioning group or decrement can have the same function ID. Manager Card is a reserved function for future. The FID (Function ID) ranges from 1 to 255.

FID is used to [Management Operation](#).

## Card Type (CT)

The type of card usage. AC908A reads this setting to determine how to parse on card data.

Value	Description
1	<a href="#">Settings Manager Card</a>
2	<a href="#">Date/Time Manager Card</a>
3	<a href="#">Black List Manager Card</a>
5	<a href="#">User Card V3</a>
6	<a href="#">Date/Time Manager Card V2</a>
7	<a href="#">Master Manager Card</a>

## System Code

Default: 0

This code is to verify if the card and device are of the same system. If the system code of the card is different from that of device, the card cannot be accepted by device. The system code must be the same as that saved to programmer PRW106.

## Advance (Overdraft)

Default: Deny

Advance (Overdraft) Consumption is considered when the balance of the card is above zero but insufficient for a transaction. If it is allowed, device will accept the insufficient-valued card just once as last transaction.

## Pay Mode

Default: By Count

There are 2 kinds of pay mode for option, one is *By Count* and the other is *By Time*.

- By Count: When a card is read by device, this card will be halted and the next transaction is not allowed until preset period time is up.

- By Time: When a card is read by device, it must stay with device during the period time to continue the next transaction in a row.

## Value

Default: 0

Set the decrement value or amount required for using the device.

Set the value to 0 for access control application and no deduction will be made from the card.

## Delay Time

Default: 0

Set the duration that a card needs to be presented to device to complete the transaction.

This is to avoid accidental reading when a card is within the reading range yet not meant for transaction.

## DO1: Period Time

Default: 0

Set the activation duration of the device connected with DO1 (relay). When the time is up, the device will be terminated accordingly. °

## LED Status

Set the LED status of success. Set the green or red LED will be blink when the device has accepted a card.

## Black List

**Black List** defines a list of card UID (CSN) that are stored in the AC908A internal memory. If the presented

card UID is in the **Black List**, then AC908A will reject to execute the [Command Operations](#).

# Card Information

The card is issued by **Card Issue** program by using the **PRW106** card writer.

## User Card (V3)

**User Card** stores the balance and a list of [MID](#) number. This card can be used for Payment or Access Control System.

## Settings Manager Card

**Settings Manager Card** stores the AC908A settings. This card is used to update AC908A settings without connecting device to computer.

## Data/Time Manager Card

**Date/Time Manager Card** stores the date/time parameters that are used to update the AC908A RTC value.

## Data/Time Manager Card V2

**Date/Time Manager Card** stores the date/time parameters that are used to update the AC908A RTC value.

## Black List Manager Card

**Black List Manager Card** stores the Black List data that is used to update the Black List setting of AC908A.

## Master Manager Card

**Master Manager Card** stores access card key value that is used to update AC908A's card key value.

# Device Operations

## Operation Status for Status LED and Buzzer

Status	Buzzer	Status LED <sup>1</sup>
Power On/Idle	Long beep	Green light
Process OK	Long beep	Flash green light once
Read User Card Error	7 short beeps	Flash red light twice
Read Management Card Error	2 short beeps	Flash red light 7 times
Bluetooth Connected	3 very-short beeps	Quick-flash green light 3 times

Note:

1. The LED color can be configured by AC908A Utility program.

## Transaction Log

When AC908A deduct User Card's balance value, AC908A will save the transaction log to User Card memory and its own memory. You can download the log stored in card by **Card Issue** program, and use **AC908A Utility** to download the log stored in AC908A.

The record count is determined by the card memory size. For 1K memory, the maximum record count is 42.

Record Format	
Bytes	Description
0	MID (Machine ID)
1	FID (Function ID)
2~7	Date & Time (BCD Format, YY/MM/DD HH:MM:SS)
8~11	Value 1 (+/- Value)
12~15	Value 2 (Balance)

# Frequently Asked Questions

**Q: Can I use mobile phone to update the AC908A firmware via the Bluetooth connectivity? If so, how much time will it take to update the firmware?**

**A:** Yes, you can use the **Firmware Loader app** to update the firmware via the Bluetooth connectivity. The time to update the firmware is variant from the mobile OS you use. For Android, it will take about 4~5 minutes. For iOS, it will take about 10~11 minutes.

# Update History

2021/6/9 v1.0.2

- Added [Frequently Asked Questions](#).

2021/5/21 v1.0.1

- Corrected [Wire Assignment](#).