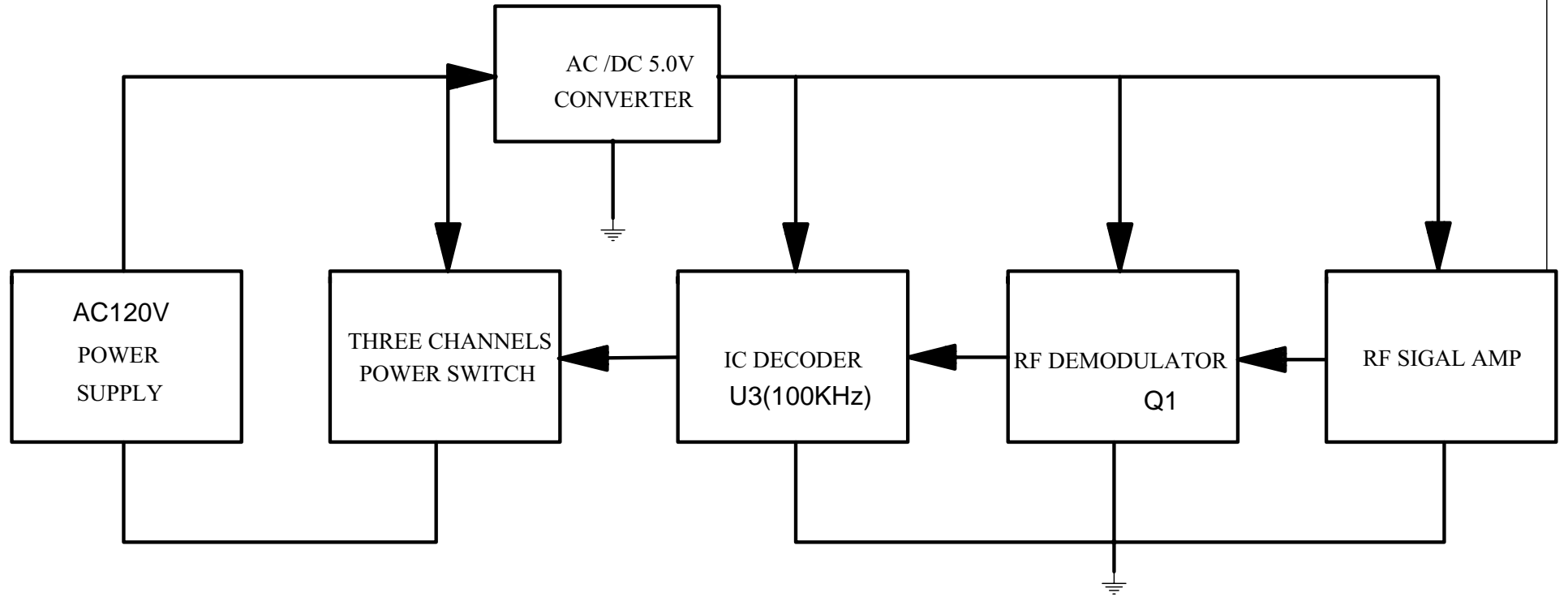


# AM 315MHz RECEIVER BLOCK DIAGRAM



Shezhen Aodee Electron Co.,Ltd			<b>PRODUCT NAME</b>		DOORLING AR255	
			<b>SCH NO.</b>		AR255V1.0	
<b>MATERIAL</b>	FR-4 1.0MM	<b>PAGE</b>	1 OF 1	<b>UNIT</b>	MM	
<b>DRAWN BY</b>	HUAMING YANG	<b>CHECKED BY</b>	HUAMING YANG	<b>APPROVED BY</b>	GUOHUA HUANG	