

# Wouxun

## Two Way Radio KG-805

Owner's Manual

### GMRS Radio



## KG-805

Thank you for buying the KG-805 transceiver. This radio offers a professional design, enhanced features, solid performance and easy accessibility. We think you will be pleased with its high quality and reliability for your short range radio communications. FCC ID: WVTWOUXUN16

### Important Information

**Caution:** Please read this manual before using, as it includes important instructions for the safe handling, use and operation of your radio.

**Compliance:** This device complies with Part 15 of the FCC Rules. Operation is subject to the following two conditions:  
(1) This device may not cause harmful interference, and  
(2) This device must accept any interference received, including interference that may cause undesired operation.  
WARNING: MODIFICATION OF THIS DEVICE TO RECEIVE CELLULAR RADIOTELEPHONE SERVICE SIGNALS IS PROHIBITED UNDER FCC RULES AND FEDERAL LAW.

**Radio Operation and EME Exposure:** Use only an antenna designed for use with this radio and its operating frequencies. Unauthorized modifications or attachments may damage the radio and violate FCC rules. DO NOT hold the antenna while the radio is in use. DO NOT attempt to use the radio with a damaged antenna.

**Safety and General Use:**  
DO NOT use external power connections or batteries not specifically designed for or approved for use with this radio.

DO NOT use the radio in potentially hazardous areas or where there are potentially explosive atmospheres (gas, dust, etc.).

DO NOT operate your radio while your vehicle is being refueled or parked at a gas station.

### FCC Licensing Information

The KG-805 operates on General Mobile Radio Service (GMRS) frequencies according to the Federal Communications Commission (FCC) Rules in the United States. As such, a GMRS license is required to transmit on these frequencies. To obtain an FCC license for the GMRS, please go to the FCC's web site at <https://www.fcc.gov/wireless/support/fcc-form-605> and request FCC Form 605.

### Unpacking and Checking Your Equipment

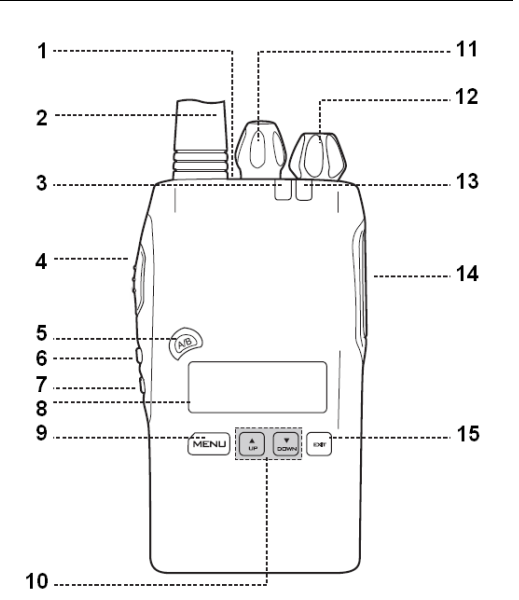
Carefully unpack the radio. We recommend that you identify the following items before discarding the packing material. If any items are missing or have been damaged during shipment, please notify your dealer immediately.

- Included Accessories:**
- 1 - KG-805 Radio
  - 1 - High Gain Antenna
  - 1 - Li-ion Battery Pack
  - 1 - Desktop Charger
  - 1 - Belt Clip
  - 1 - Hand Strap
  - 1 - Owner's Manual

### Description of Features

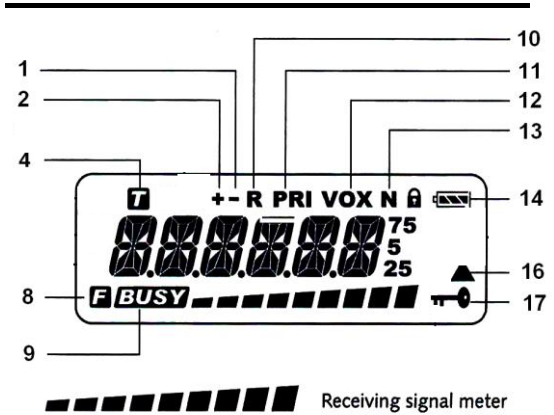
- 1. 30 GMRS Channels
- 2. Output Power: Up to 37.2dBm
- 3. VOX
- 4. Calling Ring Function
- 5. Voice Prompts
- 6. Three Color Backlight Display
- 7. Multi-Display Modes
- 8. Alarm Function
- 9. Multiple Scanning Modes
- 10. High Capacity Li-ion Battery Pack
- 11. Intelligent Charger
- 12. Busy Channel Lockout
- 13. Multiple Display Modes at Power On
- 14. Low Voltage Prompt
- 15. Transmit Overtime Prompt
- 16. Key Lock
- 17. Power Save
- 18. IP55 Waterproof

### Radio Controls



- 1. Alarm/PF2
- 2. Antenna
- 3. Transmit LED
- 4. PTT Button
- 5. A/B Button
- 6. PF1
- 7. Monitor Button
- 8. LCD Display
- 9. Menu Button
- 10. Up/Down Buttons
- 11. Channel Knob
- 12. Power/Volume Knob
- 13. Receive LED
- 14. Audio/Accessory Port
- 15. Exit Button

### LCD Display



- 1. Split (N/A)
- 2. Split (N/A)
- 4. DTMF (N/A)
- 8. Menu Setting Mode

- 9. BCL
- 10. Reverse Frequency (N/A)
- 11. Priority Scan
- 12. VOX Transmit
- 13. Bandwidth Indicator
- 14. Battery Status
- 16. With Memory Channel
- 17. Key Lock

### Getting Started

**Waterproof**  
The KG-805 is waterproof to IP55 standards. It is dust resistant and rated to withstand water projected by a nozzle (6.3 mm) against enclosure from any direction for a limited period. This radio is resistant to dust and water only while the battery is properly installed and locked in place with no gaps and the accessory port is completely sealed with the accessory port cover. Use of a headset or other accessory will negate the dust and waterproofing features of this radio. The KG-805 is NOT submersible. Do not attempt to operate this radio if it has been submerged.

The radio charger is NOT dust or waterproof. Charge the radio only under dry conditions. DO NOT charge the radio when it is wet. DO NOT expose the radio and charger to wet environments when charging.

**Installing the battery**  
To install the Lithium-ion battery pack:  
1. Be sure the radio is off.  
2. Slide the battery pack down the back off the radio until the three tabs on the bottom of the battery slide into the slots at the bottom of the radio.  
3. Push forward on the battery until it is securely locked in place on both sides.

**Removing the battery**  
To remove the battery pack:  
1. With your thumb and forefinger, slide down the latches on each side of the battery near the top of the battery pack simultaneously  
2. While holding down the latches, pull the battery pack away from the radio.

**Installing the antenna**  
The KG-805 includes an antenna with an SMA female connector that is tuned for the GMRS frequency range of your radio. After market antennas may be used, provided they are tuned for the GMRS.  
**Warning:** To avoid injury, DO NOT attempt to operate your radio if the antenna is damaged or defective.

DO NOT attempt to operate your radio without an antenna connected to the radio. Transmitting without an antenna or a correctly tuned antenna directly and properly connected

to the radio may damage the radio and void the warranty.

**Belt Clip**  
The belt clip attaches to the back of the battery pack on the radio.

To install the belt clip, simply slide it down onto the back of the battery until it snaps in place.

To remove the battery, depress the lock release on the back of the belt clip, and while holding it down, slide the belt clip up and away from the battery.

**Turning the Radio On and Off**  
Turn the radio on, turn the power/volume knob clockwise until it clicks and the radio powers on. To turn the radio off, turn the power/volume knob counter-clockwise until it clicks and stops.

**Adjusting the Volume**  
Turn the power/volume knob to adjust the volume to the desired level.

**Changing Channels**  
To change the channel, turn the channel knob or press the UP/DOWN buttons to go to the desired channel.

### Basic Operation

**Transmitting and Receiving**  
Note: to effectively communicate between your stations or members of your group, all the connecting radios must be using the same channel and privacy code.  
1. To transmit, press and hold down the PTT button on the side of the radio.  
2. When transmission is finished, release the PTT button to receive.

For best performance and clarity of transmission, hold the radio upright with the front of the radio facing you, hold it several inches from your mouth and speak directly into the microphone during transmission.

**Scanning Channels**  
To activate Channel Scan, press and hold the A/B button for two seconds until you hear "Scan Begin". To stop the scan, press and hold the A/B button for two seconds until you hear "Scan Stop" and the channel number on which it stopped.

**Backlight**  
Press the A/B button to turn the LCD and key backlight on and off.

### Menu Options

**Setting Squelch Level (SQL-LE) – MENU 1**  
The squelch level function allows you to set the threshold of the signal strength received. The

lower squelch settings allow a weaker signal to be heard, a higher setting blocks out noise and allows only stronger signals to be heard.

The squelch levels are adjustable from 0-9. Setting it to 0 turns off squelch, while 9 is full squelch. The default squelch level setting is 5.

**Power Save (SAVE) – MENU 2**  
To reduce battery consumption, the SAVE function cuts off power to the receiver momentarily, then re-activates it to detect signals. If a signal is detected, the radio will be activated immediately and exit from SAVE mode.

To activate the SAVE function, Press MENU and the UP/DOWN buttons to navigate to SAVE (3) and press MENU to access the function. Then press UP/DOWN to choose ON, and press MENU to confirm. Press the EXIT button to exit the menu.

**Roger Beep (ROGER) – MENU 3**  
The KG-805 allows you to set a tone prompt at the start of your transmission, at the end of transmission, or both. The menu choices are Beginning of Transmission (BOT), End of Transmission (EOT), Both (BOTH) or None (OFF).

With the radio in Standby, Press MENU and the UP/DOWN buttons and navigate to ROGER (menu item 3). Press MENU, then press the UP/DOWN buttons to choose Beginning of Transmission (BOT), End of Transmission (EOT), Both (BOTH) or None (OFF). Press MENU to confirm, then press EXIT to return to standby mode.

**Timeout Timer (TOT) – MENU 4**  
To reduce battery consumption and protect the radio from over transmission, the Timeout Timer ends the transmission when the transmission has exceeded a predetermined time limit, after which the transmission is interrupted. The timer can be set in 40 levels between 15 and 600 seconds, in 15 second increments.

In standby, Press MENU and the UP/DOWN buttons and navigate to TOT (menu item 4). Press MENU to enter, and press the UP/DOWN buttons to select the desired transmission level from 15 to 6000. Press MENU to confirm your choice, then press EXIT to return to standby mode.

**VOX Function (VOX) – MENU 5**  
Voice Operated Transmit (VOX) automatically activates transmission when the radio detects a voice or other noise. It allows for hands-free operation when transmitting without physically pushing the Push-To-Talk (PTT) switch to do so. The KG-805 has 10 levels of sensitivity to detect sound, from 1 (most sensitive) to 10 (least sensitive). The higher the level, the more sound is needed to activate VOX.

To activate VOX, press MENU and the UP/DOWN buttons and navigate to VOX (menu item 5). Press MENU to enter, and press the UP/DOWN buttons to select the desired transmission level from 1 to 10. Press MENU to confirm your choice, then press EXIT to return to standby mode.

To deactivate VOX, press MENU and the UP/DOWN buttons and navigate to VOX (menu item 5). Press MENU to enter, and press the UP/DOWN buttons to select OFF. Press MENU to confirm your choice, then press EXIT to return to standby mode.

#### **Transmit Overtime Alarm (TOA) – MENU 6**

You can set the KG-805 to display a prompt to warn you when the transmit time limit set in the Timeout Timer (TOT) is about to be exceeded. The alarm has 10 levels, from 1 to 10.

To activate the Transmit Overtime Alarm, press MENU and the UP/DOWN buttons and navigate to TOA (menu item 6). Press MENU to enter, and press the UP/DOWN buttons to select the desired transmission level from 1 to 10. Press MENU to confirm your choice, then press EXIT to return to standby mode. The default level is 5.

To deactivate the Transmit Overtime Alarm, press MENU and the UP/DOWN buttons and navigate to TOA (menu item 6). Press MENU to enter, and press the UP/DOWN buttons to select OFF. Press MENU to confirm your choice, then press EXIT to return to standby mode.

#### **Voice Prompt (VOICE) – MENU 7**

The KG-805 supports voice prompts in English and Chinese languages. The default is English.

To choose the language, press MENU and the UP/DOWN buttons and navigate to VOICE (menu item 7). Press MENU to enter, and press the UP/DOWN buttons to select English or Chinese. Press MENU to confirm your choice, then press EXIT to return to standby mode.

#### **Beep Prompt (BEEP) – MENU 8**

To activate or deactivate the Beep prompt, press MENU and the UP/DOWN buttons and navigate to BEEP (menu item 8). Press MENU to enter, and press the UP/DOWN buttons to select ON or OFF. Press MENU to confirm your choice, then press EXIT to return to standby mode. The default is ON.

#### **Power On Message (PONMSG) – MENU 9**

The KG-805 displays an initial message on the screen for several seconds when powered on. You can choose from three message options. OFF flashes the full screen display, BATT-V displays the battery voltage, and MSG displays the message “WELCOM”. The default is OFF.

To choose the Power On message, press MENU and the UP/DOWN buttons and navigate to PONMSG (menu item 9). Press MENU to enter,

and press the UP/DOWN buttons to select OFF, BATT-V or MSG. Press MENU to confirm your choice, then press EXIT to return to standby mode.

#### **Busy Channel Lockout (BCL) – MENU 10**

To prevent interference, The KG-805 can sound an alarm if another radio is already transmitting on same channel when the PTT is pressed. The default is OFF.

**Note: This item is available in the menu for display only. It can be modified through optional programming software.**

#### **Key Lock (AUTOLK) – MENU 11**

The buttons on the KG-805 can be automatically locked to prevent them from being accidentally pressed. When the automatic key lock is enabled, the buttons on the radio will automatically locked within 15 seconds if there is no operation while in standby. The default is OFF.

To activate or deactivate the Automatic Key Lock, press MENU and the UP/DOWN buttons and navigate to AUTOLCK (menu item 11). Press MENU to enter, and press the UP/DOWN buttons to select ON or OFF. Press MENU to confirm your choice, then press EXIT to return to standby mode. The default is OFF.

#### **Setting Function Key 1 (PF1) – MENU 17**

The KG-805 has two function keys, one on the side of the radio and one on top, both of which are configurable in the menu.

To choose the function of the PF1 key, press MENU and the UP/DOWN buttons and navigate to PF1 (menu item 17). Press MENU to enter, and press the UP/DOWN buttons to choose.

To deactivate the PF1 key, press MENU and the UP/DOWN buttons and navigate to PF1 (menu item 17). Press MENU to enter, and press the UP/DOWN buttons to select OFF. Press MENU to confirm your choice, then press EXIT to return to standby mode.

#### **Setting Alarm Button (PF2) – MENU 18**

Programmable Function Key 2 (PF2) is an Alarm button and is configured to sound an alarm when pressed. This key can be disabled in the radio.

To enable or disable the PF2 alarm button, press MENU and the UP/DOWN buttons and navigate to PF2 (menu item 18). Press MENU to enter, and press the UP/DOWN buttons to choose ALARM or OFF. Press MENU to confirm your choice, then press EXIT to return to standby mode.

#### **Setting Display Mode (CH-MDF) – MENU 19**

The KG-805 allows you to choose how to display the label for each channel. You can select to display the channel name (NAME), channel number (CH), or the actual GMRS frequency for the active channel (FREQ). The default is NAME.

To choose the display mode, press MENU and the UP/DOWN buttons and navigate to CH-MDF (menu item 19). Press MENU to enter, and press the UP/DOWN buttons to choose CH, FREQ, or NAME. Press MENU to confirm your choice, then press EXIT to return to standby mode.

#### **Set Standby Backlight (WT-LED) MENU 20**

The KG-805 allows you to select one of three customizable backlight colors. When the backlight is activated while the radio is in standby, the display backlight will activate in color you choose. The choices are blue (BLUE), purple (PURPLE) or orange (ORANGE). You can also turn the backlight off when receiving a call.

To choose the receiving backlight color, press MENU and the UP/DOWN buttons and navigate to WT-LED (menu item 20). Press MENU to enter, and press the UP/DOWN buttons to choose BLUE, PURPLE, ORANGE, or OFF. Press MENU to confirm your choice, then press EXIT to return to standby mode.

#### **Setting Receive Backlight (RX-LED) MENU 21**

The KG-805 allows you to select one of three customizable backlight colors during receive. When the radio receives a signal, the display backlight will activate in color you choose. The choices are blue (BLUE), purple (PURPLE) or orange (ORANGE). You can also turn the backlight off when receiving a call.

To choose the receiving backlight color, press MENU and the UP/DOWN buttons and navigate to WT-LED (menu item 21). Press MENU to enter, and press the UP/DOWN buttons to choose BLUE, PURPLE, ORANGE, or OFF. Press MENU to confirm your choice, then press EXIT to return to standby mode.

#### **Setting Transmit Backlight (TX-LED) MENU 22**

The KG-805 allows you to select one of three customizable backlight colors during transmit. When the radio transmits a signal, the display backlight will activate in color you choose. The choices are blue (BLUE), purple (PURPLE) or orange (ORANGE). You can also turn the backlight off when receiving a call.

To choose the receiving backlight color, press MENU and the UP/DOWN buttons and navigate to WT-LED (menu item 22). Press MENU to enter, and press the UP/DOWN buttons to choose BLUE, PURPLE, ORANGE, or OFF. Press MENU to confirm your choice, then press EXIT to return to standby mode.

#### **Editing Channel Name (CHNAME) – MENU 23**

The KG-805 allows you to customize the name of each channel. The channel name can consist of 26 letters (A to Z) and 10 numerals (0-9) with a maximum length of 6 characters. Selecting the (-) symbol will leave a blank character (space).

To edit a channel name, press MENU and the UP/DOWN buttons and navigate to CHNAME (menu item 23). Press MENU to enter, press EXIT to browse the channels, and press the UP/DOWN buttons to choose the channel to edit. Press the UP button to search and select the desired letter or numeral you want to change, then press the DOWN button to move to the next character place and use the UP button to search and select the desired letter or numeral. Repeat the process until the sixth character is edited. Press MENU to confirm your choice, then press EXIT to return to standby mode.

<b>462MHz main channels</b>			
<b>Channel No.</b>	<b>Channel Frequency (MHz)</b>	<b>Channel No.</b>	<b>Channel Frequency (MHz)</b>
1	462.5500	2	462.5750
3	462.6000	4	462.6250
5	462.6500	6	462.6750
7	462.7000	8	462.7250

<b>462MHz interstitial channels</b>			
<b>Channel No.</b>	<b>Channel Frequency (MHz)</b>	<b>Channel No.</b>	<b>Channel Frequency (MHz)</b>
1	462.5625	2	462.5875
3	462.6125	4	462.6375
5	462.6625	6	462.6875
7	462.7125	8	/

<b>467MHz interstitial channels</b>			
<b>Channel No.</b>	<b>Channel Frequency (MHz)</b>	<b>Channel No.</b>	<b>Channel Frequency (MHz)</b>
1	467.5675	2	467.5875
3	467.6125	4	467.6375
5	467.6625	6	467.6875
7	467.7125	8	/

**FCC Warning:**

Any Changes or modifications not expressly approved by the party responsible for compliance could void the user's authority to operate the equipment.

SAR tests are conducted using standard operating positions accepted by the FCC with the device transmitting at its highest certified power level in all tested frequency bands, although the SAR is determined at the highest certified power level, the actual SAR level of the device while operating can be well below the maximum value. Before a new model is available for sale to the public, it must be tested and certified to the FCC that it does not exceed the exposure limit established by the FCC. Tests on each product are performed in positions and locations as required by the FCC.

For body worn operation, this device has been tested and meets the FCC RF exposure guidelines when used with an accessory designated for this product or when used with an accessory that contains no metal.

To maintain compliance with the FCC's RF exposure guidelines, hold the transmitter at least 2.5cm from your face and speak in a normal voice, with the antenna pointed up and away from the face.

This equipment complies with FCC radiation exposure limits set forth for an uncontrolled environment. In order to comply with the FCC RF exposure requirements, the antenna installation must comply with following:

Users must be fully aware of the hazards of the exposure and able to exercise control over their RF exposure to qualify for the higher exposure limits.

Your wireless hand-held portable transceiver contains a low power transmitter. This product sends out radio frequency (RF) signals when the Push-to-Talk (PTT) button is pressed.

The device is authorized to operate at a duty factor not to exceed 50%.