

# VeriLock® Security Sensor Application

for Andersen® A-Series, 400 Series and Complementary Casement Windows and A-Series and 400 Series Awning Windows

**Thank you for choosing Andersen. /**

For questions call 1-888-888-7020. For more information and/or guides visit [andersenwindows.com](http://andersenwindows.com).

**Please leave this guide with building owner.**

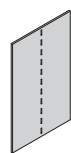
- ▶ **Read guide from beginning to end before starting installation. Read all warnings and cautions during unit installation.**
- ▶ **Check with your local building code official to identify and confirm compliance with local building code requirements.**

**Tools Needed /**

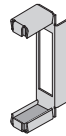
- Safety Glasses /
- Thin Blade Putty Knife /
- Phillips Screwdriver /
- Drill/Driver /

**Parts Included /**

- (5) VeriLock Bezel /
- (1) VeriLock Sensor /
- (3) VeriLock Insect Screen Strike /
- (1) Sash Magnet /
- (1) Lock Handle Magnet /
- (1) Magnet Placement Template /
- (1) CR-2025 Battery /
- (1) Battery Cap /
- (1) Cleaning Wipe /



Magnet Placement Template



Lock Handle Magnet



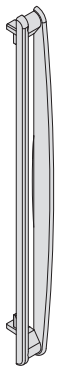
Sash Magnet



CR-2025 Battery



Battery Cap

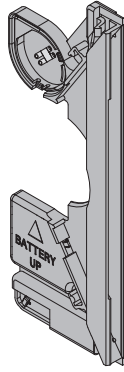


VeriLock Bezel  
(Casement Window)

Or/



VeriLock Bezel  
(Awning Window)



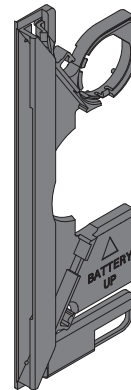
VeriLock® Sensor



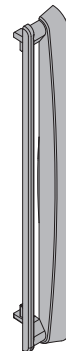
VeriLock Insect Screen Strike

**Additional Parts for Awning Windows Only (Sold Separately)**

- (1) VeriLock Dummy Sensor/
- (5) VeriLock Bezel (Awning Window) /
- (3) VeriLock Insect Screen Strike /



VeriLock Dummy Sensor



VeriLock Bezel  
(Awning Window)



VeriLock Insect Screen Strike

**⚠ WARNING /**

Use caution when working at elevated heights and around unit openings. Follow manufacturers' instructions for ladders and/or scaffolding. Failure to do so may result in injury or death.

**⚠ WARNING /**

Follow manufacturers' instructions for hand or power tools. Always wear safety glasses. Failure to do so may result in injury and/or product damage.

**⚠ WARNING /**

Batteries carry the risk of fire, explosion and burns. Do not recharge, disassemble, heat above 212 degrees F (100 degrees C) or incinerate. Dispose of used batteries promptly and properly. Keep away from children.

**⚠ WARNING /**

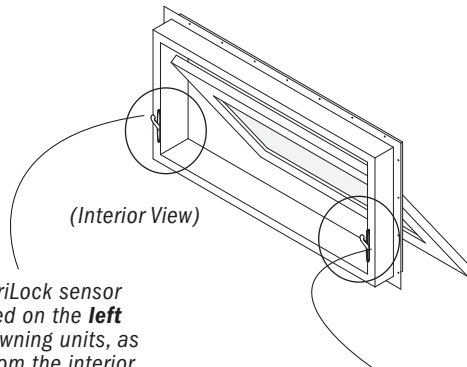
Magnets are small parts and, if swallowed, could pose a choking hazard to young children.

**⚠ WARNING /**

Magnetic field can be harmful to implanted medical device wearers. Keep magnets away from devices.

**IMPORTANT /**

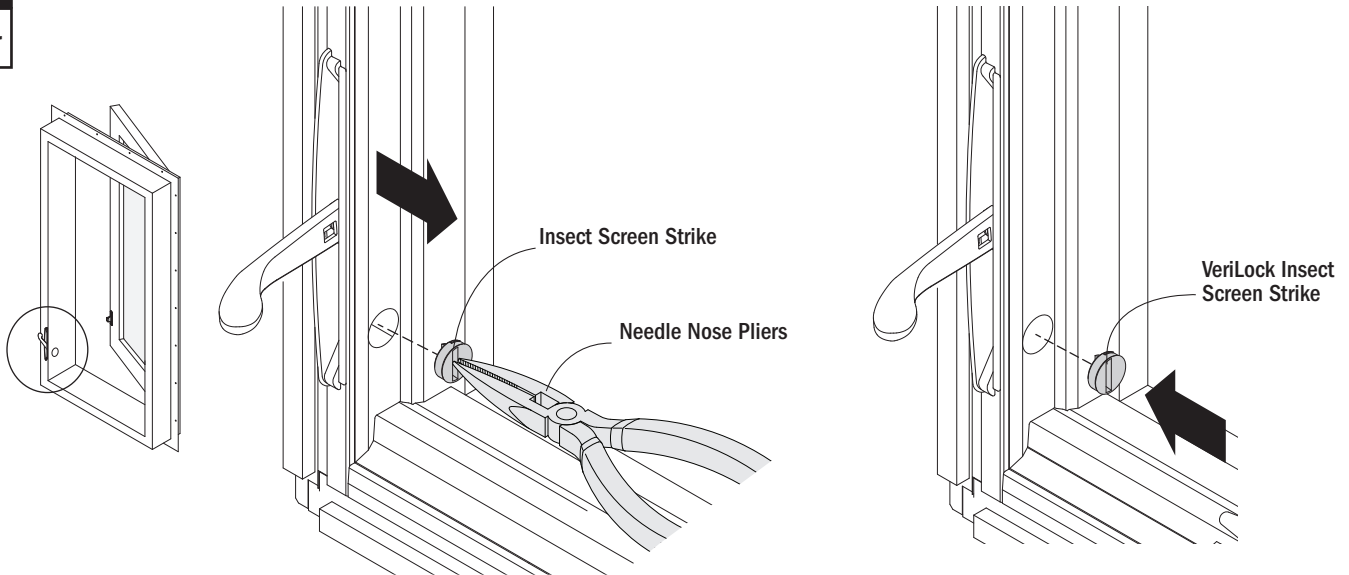
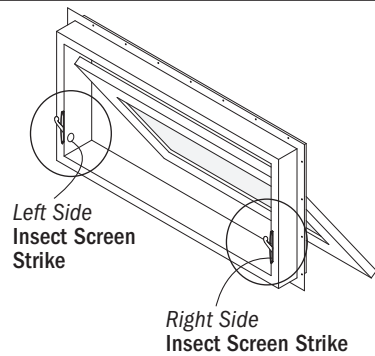
**For Awning Units /**



**NOTE:** VeriLock sensor is installed on the **left** lock on awning units, as viewed from the interior.

**NOTE:** VeriLock dummy sensor is installed on the **right** lock on awning units, as viewed from the interior. (sold separately)

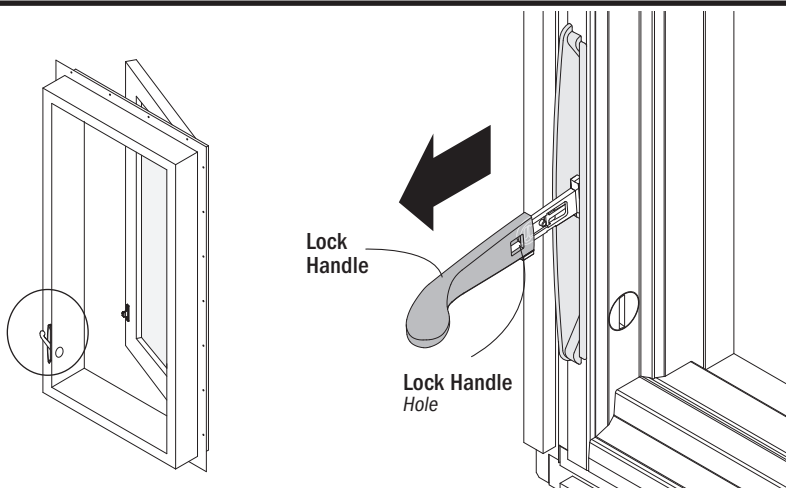
► Left handed casement unit shown in guide. Steps are similar for awning units, unless otherwise noted.

**1****Interior****For Awning Units /**

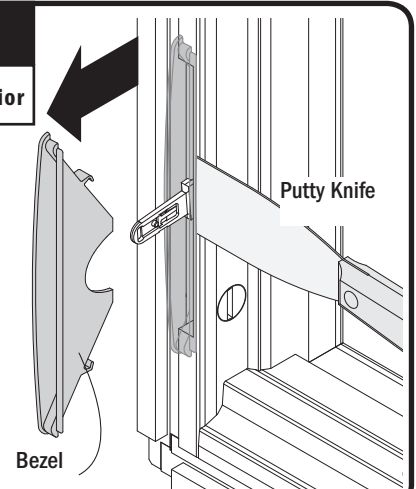
**NOTE:** For Awning units, remove and replace the insect screen strike on the left side, as viewed from the interior.

Remove and replace insect screen strike on right side **only** if dummy kit is purchased.

Remove insect screen (if present). If insect screen strike is located near the lock handle as shown, remove insect screen strike from casement lock side or awning left lock side and dispose of properly. Insert preferred color VeriLock insect screen strike into same hole. Press firmly into place.

**2****Interior**

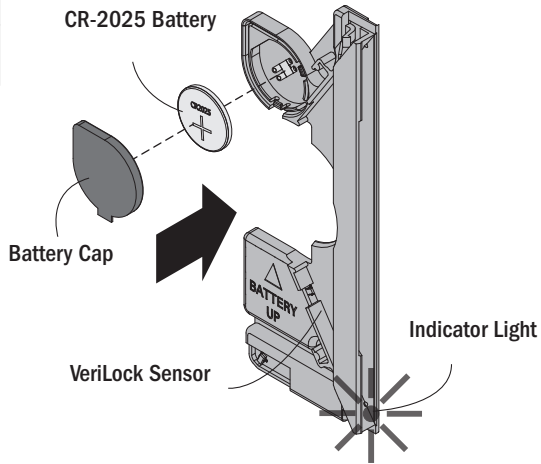
Position lock handle as shown. Remove lock handle by pressing clip through hole. Save for reuse.

**3****Interior**

Remove bezel using a thin blade putty knife. Dispose of properly.

4

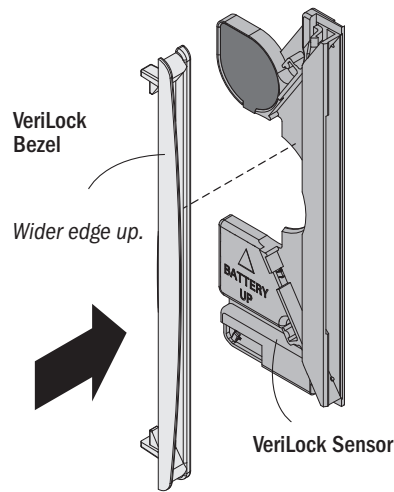
Interior



Install battery with (+) facing out as shown. Indicator light will illuminate for one (1) second when battery is installed correctly. Position battery cap over battery with edges tightly sealed. Make sure all cap edges are sealed around the battery ring.

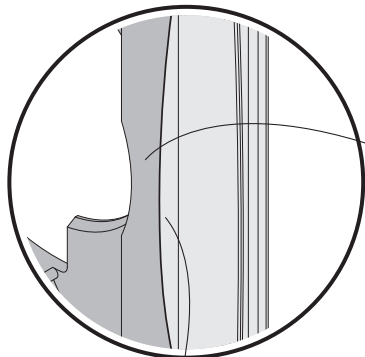
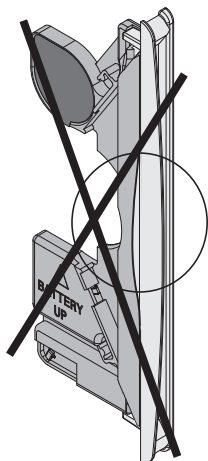
5

Interior



**Incorrect /**

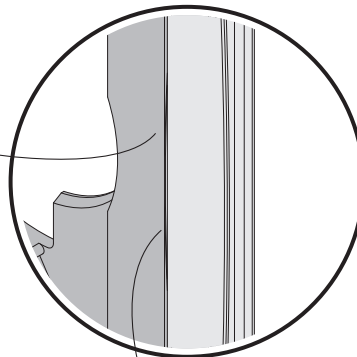
**Correct /**



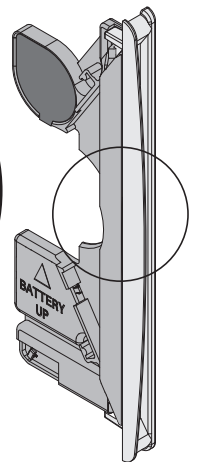
**VeriLock Bezel NOT Seated Properly**  
(VeriLock bezel lip on outside)

VeriLock Assembly

*Gently flex the plastic VeriLock sensor wall to outside of the VeriLock bezel lip as shown.*



**VeriLock Bezel Seated Properly**  
(VeriLock bezel lip on inside)



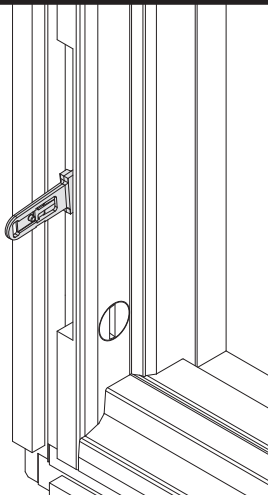
Select preferred VeriLock bezel color and attach to VeriLock sensor as shown. Make sure the plastic sensor wall is on the outside of the VeriLock bezel lip as shown.

6

Interior

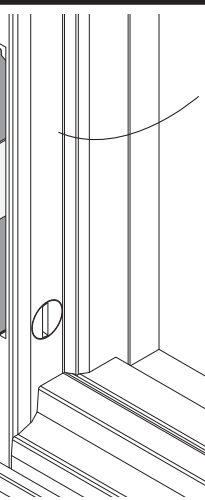
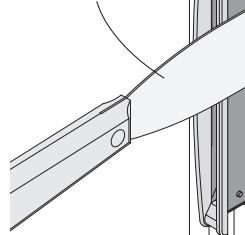
VeriLock Assembly

Wider edge of VeriLock bezel toward side jamb.



Thin Blade Putty Knife

Trim Stop



Gently pry trim stop and insert VeriLock assembly into the cavity. VeriLock assembly will click into place when installed correctly.

### Magnet Application/

#### ⚠ WARNING /

Magnets are small parts and, if swallowed, could pose a choking hazard to young children.

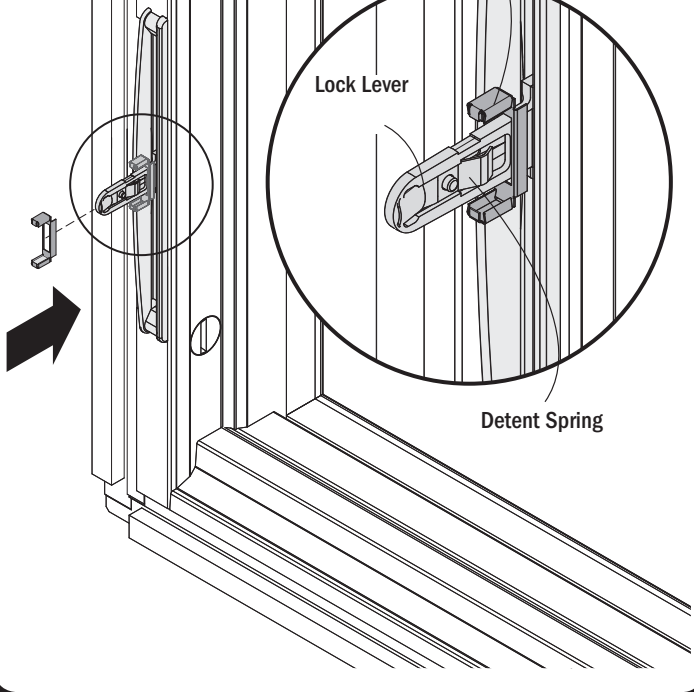
7

Interior

Lock Handle Magnet

Lock Lever

Detent Spring



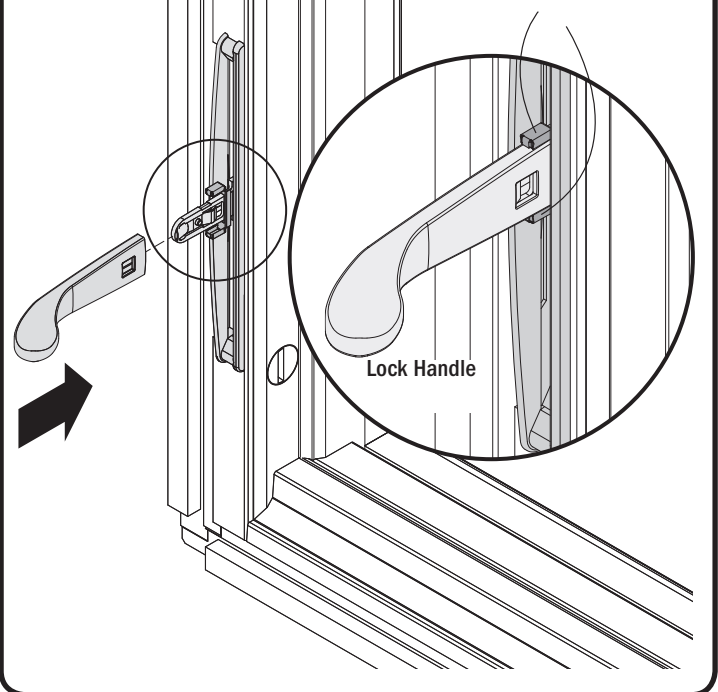
Position lock handle magnet on lock lever and slide past the detent spring.

8

Interior

Lock Handle Magnet  
Position around lock handle as shown.

Lock Handle



Slide lock handle on lock lever until clip engages and magnets are positioned around the lock handle as shown.

## Magnet Application/

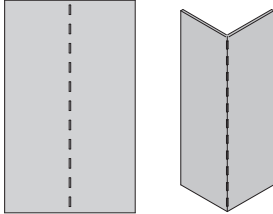
### ⚠ WARNING /

Magnets are small parts and, if swallowed, could pose a choking hazard to young children.

9

Interior

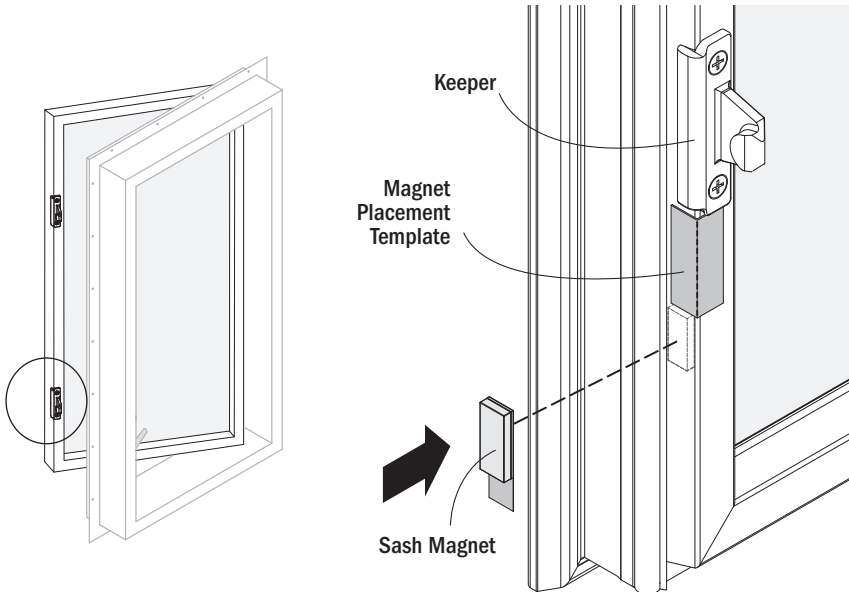
#### Magnet Placement Template



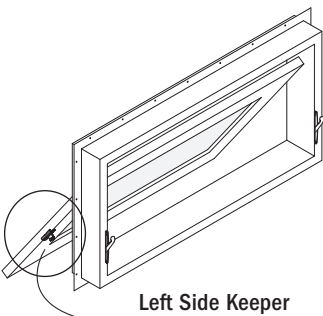
*Bend magnet placement template 90° at perforation and position on sash under keeper as shown.*

#### IMPORTANT /

Press and hold sash magnet in place for 20-30 seconds when applying to sash. Do not fully close sash until adhesive tape is completely bonded. (allow 10-15 minutes for adhesive to bond).

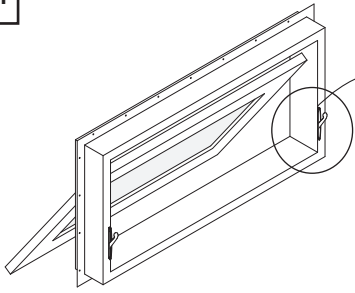


#### For Awning Units /

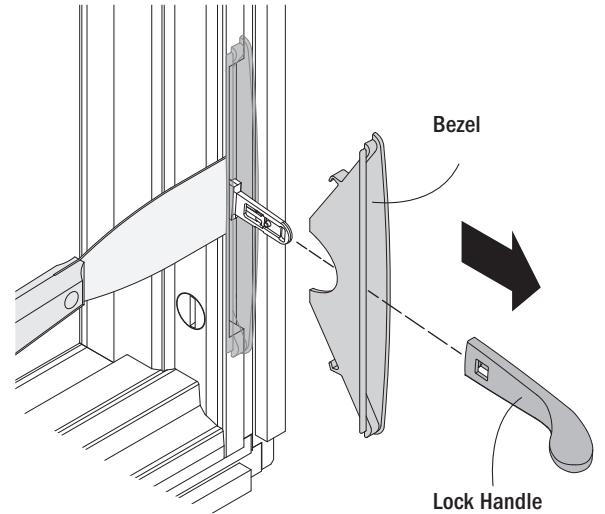


**NOTE:** Sash magnet is installed on sash below the **left side** keeper on awning units, as viewed from the interior.

Clean area on sash to receive magnet with cleaning wipe provided. Position template tight to bottom of keeper as shown. Remove adhesive liner on sash magnet and position tight to bottom edge of magnet placement template as shown. Press firmly in place.

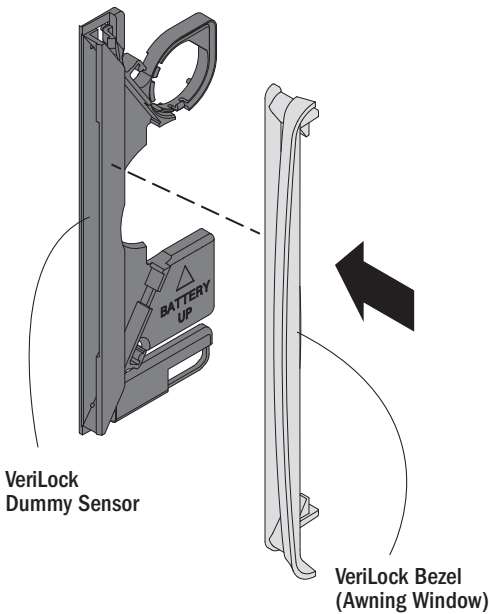


**NOTE:**  
VeriLock dummy sensor (sold separately) is installed on the **right** lock on awning units, as viewed from the interior.



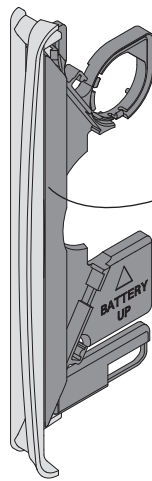
Bezel

Lock Handle



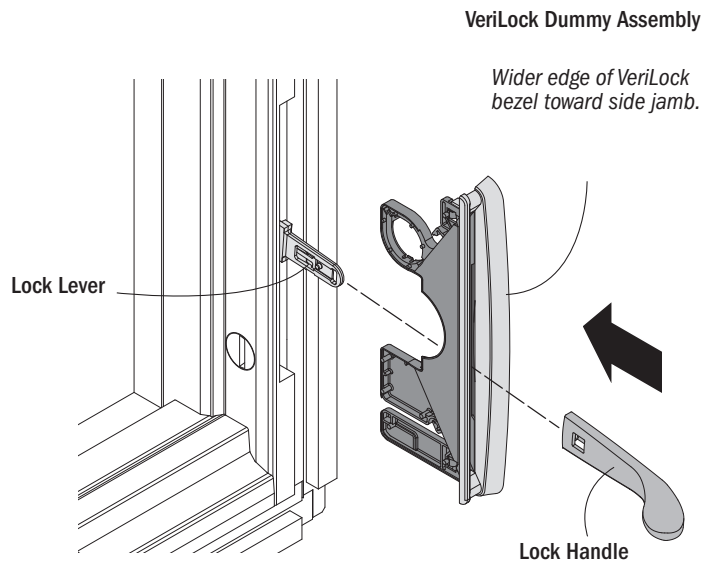
VeriLock Dummy Sensor

VeriLock Bezel (Awning Window)



VeriLock Dummy Assembly

VeriLock Bezel seated properly (VeriLock dummy sensor wall on outside of VeriLock bezel lip)



VeriLock Dummy Assembly

Wider edge of VeriLock bezel toward side jamb.

Lock Lever

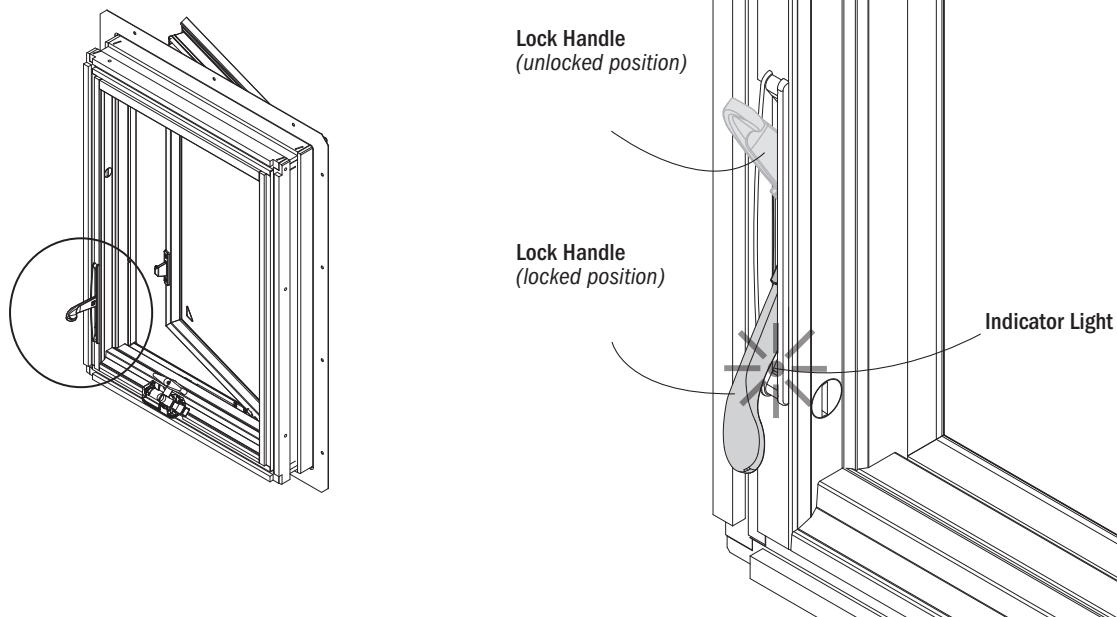
Lock Handle

VeriLock dummy sensor (sold separately)/

Remove lock handle and bezel from the right lock as viewed from the interior and dispose of bezel properly. Attach the awning window VeriLock bezel to the VeriLock dummy sensor and insert the VeriLock dummy assembly tight into lock cavity as shown. Slide lock handle on lock lever until clip engages.

11

Interior



1. Lock window. Indicator light will illuminate for one (1) second.
2. Unlock window. Indicator light will illuminate for one (1) second.
3. Open sash. Indicator light will illuminate for one (1) second.
4. Close sash. Indicator light will illuminate for one (1) second.

Verify VeriLock sensor function. If indicator light does not respond as described, verify sensor application and magnet placement.

► Procedure is complete.

Refer to monitoring system of your choice for sensor enrollment. /

For maintenance information, please visit <http://www.andersenwindows.com/verilock> and consult with the VeriLock user guide.



## **Federal Communications Commission (FCC) Part 15 Statement**

This device complies with FCC Rules Part 15. Operation is subject to the following two conditions: (1) This device may not cause harmful interference. (2) This device must accept any interference that may be received, including interference that may cause undesired operation.

## **Industry Canada (IC) RSS Statement**

This device complies with Industry Canada license-exempt RSS standard(s). Operation is subject to the following two conditions: (1) This device may not cause interference, and (2) This device must accept any interference, including interference that may cause undesired operation of the device.

Le présent appareil est conforme aux CNR d'Industrie Canada applicables aux appareils radio exempts de licence. L'exploitation est autorisée aux deux conditions suivantes: (1) l'appareil ne doit pas produire de brouillage; (2) l'utilisateur de l'appareil doit accepter tout brouillage radioélectrique subi, même si le brouillage est susceptible d'en compromettre le fonctionnement.

Changes or modifications not expressly approved by Andersen may void the user's authority to operate the equipment.

This page has been intentionally left blank.