

VeriLock® Security Sensor Application

for Andersen® A-Series Frenchwood Hinged Inswing & Outswing, 400 Series Frenchwood® Hinged Inswing & Outswing and Hinged Inswing & Outswing Entry Doors

Thank you for choosing Andersen. /

For questions call 1-888-888-7020. For more information and/or guides visit andersenwindows.com.

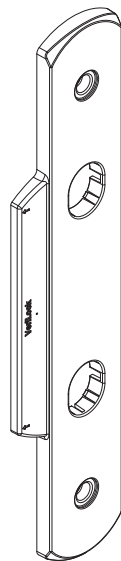
Please leave this guide with building owner.

- ▶ **Read guide from beginning to end before starting installation. Read all warnings and cautions during unit installation.**
- ▶ **Check with your local building code official to identify and confirm compliance with local building code requirements.**

Parts Included /

- (1) Instruction Guide /
- (4) VeriLock Face Plate /
- (1) VeriLock Sensor /
- (1) Actuator /
- (2) CR-2032 Battery /
- (1) Cylinder Magnet /
- (1) Block Magnet /
- (2) Cylinder Magnet Cap /
- (2) Block Magnet Cap /
- (2) Screw Standoff /
- (1) 4-1/4" Spindle /

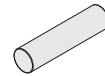
- (4) #8 x 1-3/4" Bolt (2 white, 2 stone)
(Tribeca® Hardware Only) /



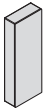
VeriLock®
Face Plate



Actuator



Cylinder
Magnet

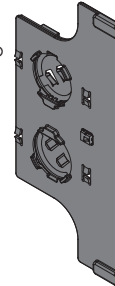


Block
Magnet

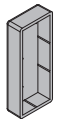


CR-2032
Battery

VeriLock®
Sensor



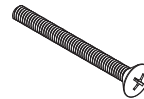
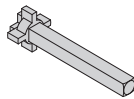
Cylinder
Magnet Cap



Block
Magnet Cap

Additional Parts Required for Entry Doors Only (Ordered Separately)

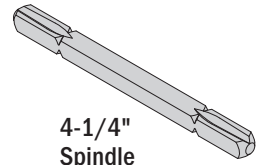
- (1) Extended Lock Actuator /



#8 x 1-3/4" Bolt
(Tribeca Hardware Only)



Screw Standoff



4-1/4"
Spindle

Tools Needed /

- Safety Glasses /
- Phillips Screwdriver /
- 1/8" Hex Key /
- Drill/Driver /
- 5/16" Drill Bit /
- Tape Measure /
- Drop Cloth /

Depending on individual installation requirements, some parts may not be used.

⚠ WARNING

Use caution when working at elevated heights and around unit openings. Follow manufacturers' instructions for ladders and/or scaffolding. Failure to do so may result in injury or death.

⚠ WARNING

Follow manufacturers' instructions for hand or power tools. Always wear safety glasses. Failure to do so may result in injury and/or product damage.

⚠ WARNING

Batteries carry the risk of fire, explosion and burns. Do not recharge, disassemble, heat above 212 degrees F (100 degrees C) or incinerate. Dispose of used batteries promptly and properly. Keep away from children.

⚠ WARNING

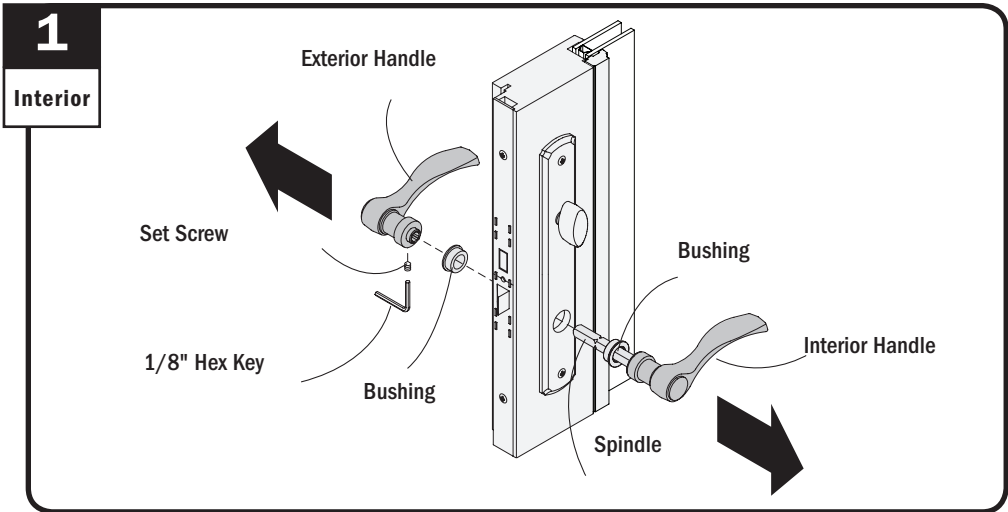
Magnetic field can be harmful to implanted medical device wearers. Keep magnets away from devices.

⚠ WARNING

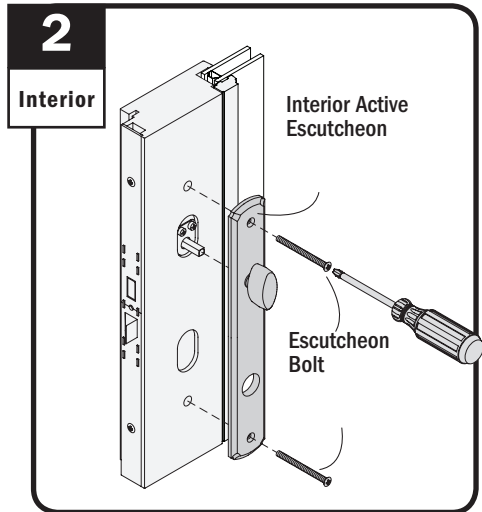
Batteries are small parts and, if swallowed, could pose a choking hazard to young children.

⚠ WARNING

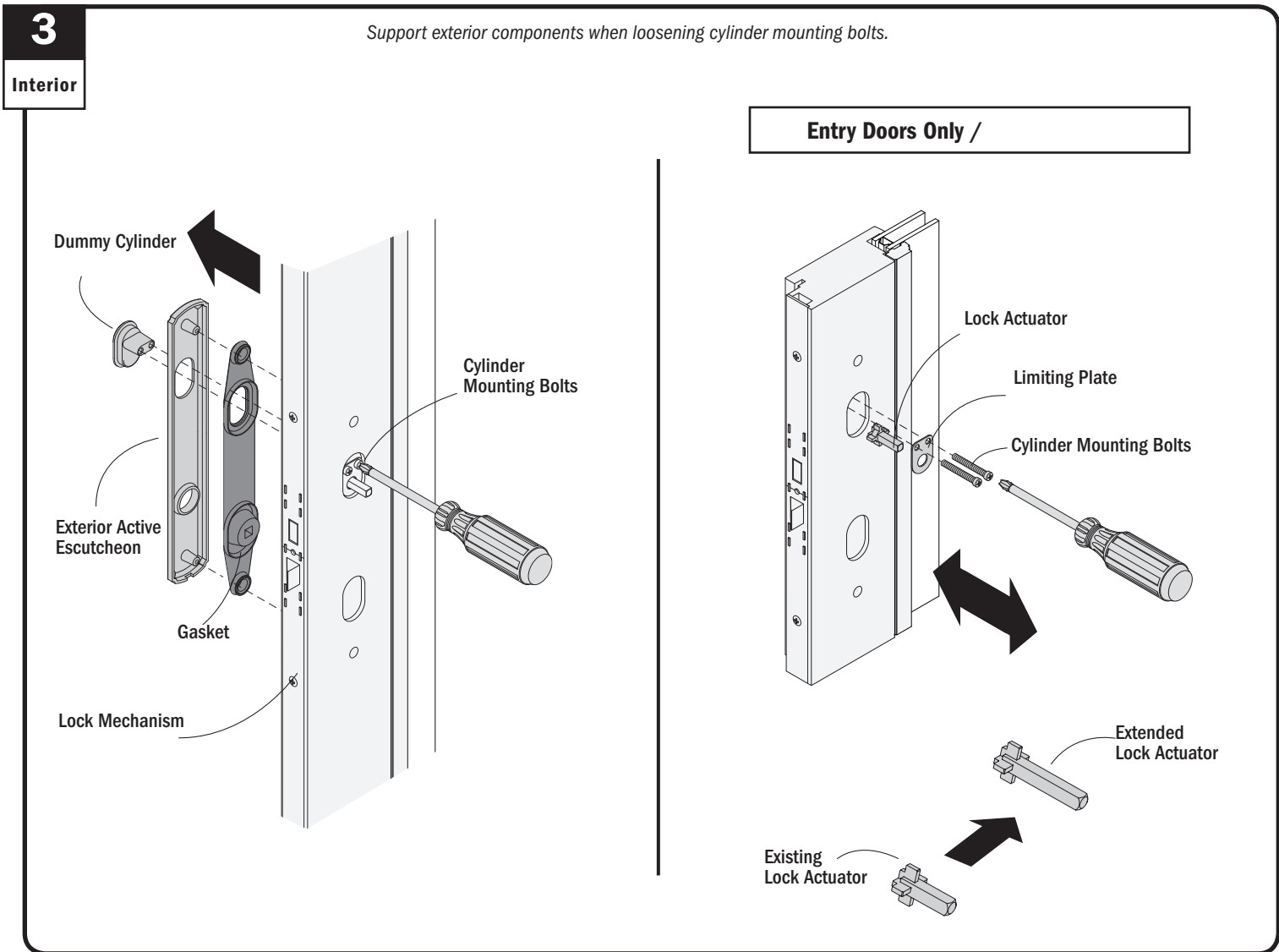
Magnets are small parts and, if swallowed, could pose a choking hazard to young children.



Lay a drop cloth down to prevent losing parts. Unlock and open active door panel. Loosen set screw on exterior handle using 1/8" hex key. Remove handles and set aside for reuse.



Remove escutcheon bolts and interior active escutcheon. Set aside for reuse.



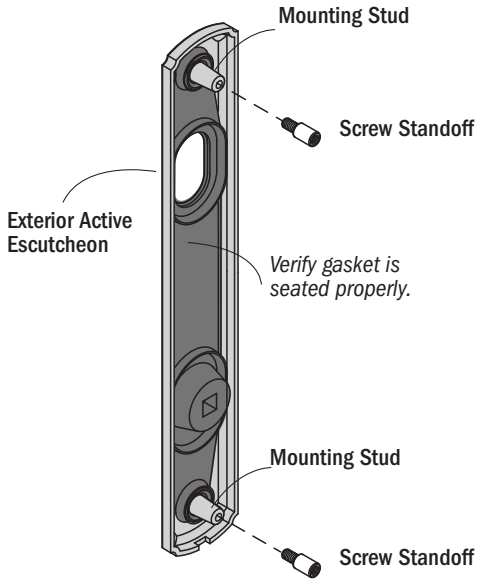
Support exterior components when loosening cylinder mounting bolts.

Loosen cylinder mounting bolts until exterior components can be removed. Set exterior components aside for reuse.

For Entry Doors only, remove cylinder mounting bolts, limiting plate and lock actuator. Replace existing lock actuator with extended lock actuator. Reapply parts as shown, do not fully tighten bolts.

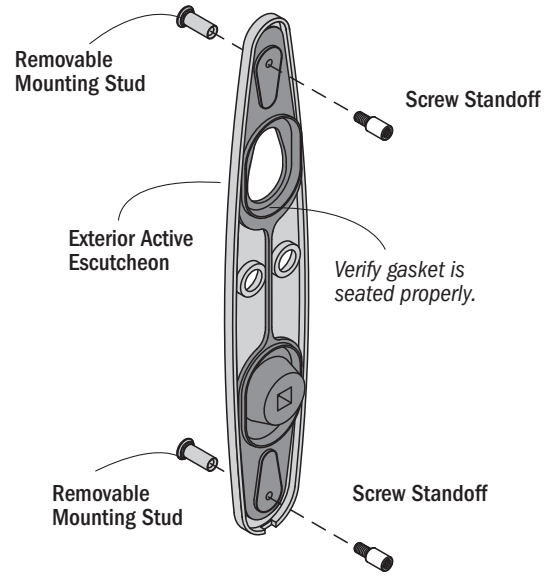
4

Interior



Apply screw standoffs to mounting studs on back side of exterior escutcheon as shown.

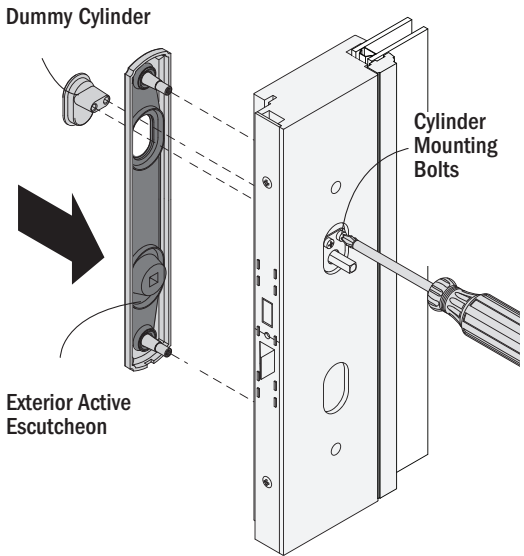
Tribeca® Hardware Only



For Tribeca hardware only, apply removable mounting studs as shown, then apply screw standoffs to mounting studs on back side of exterior escutcheon as shown.

5

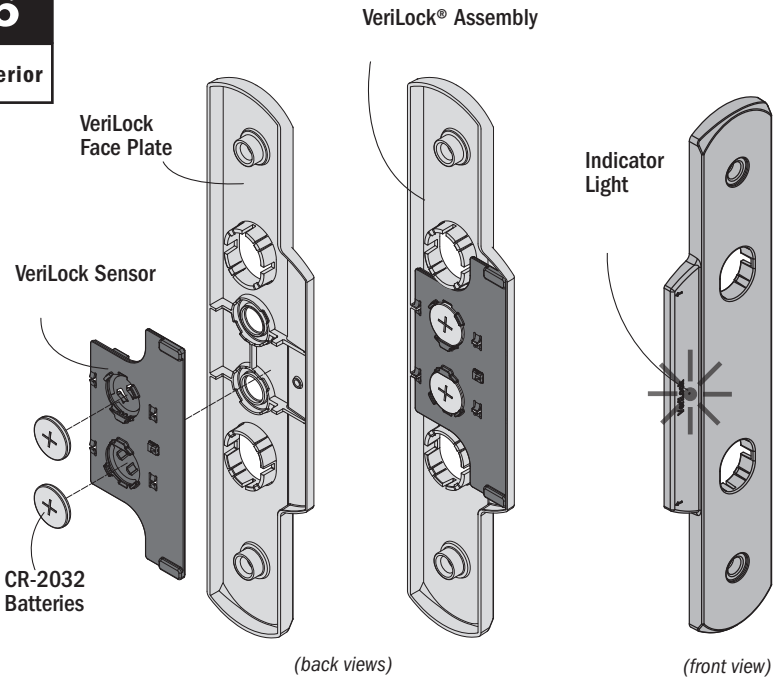
Interior



Re-apply exterior components and tighten cylinder mounting bolts.

6

Interior

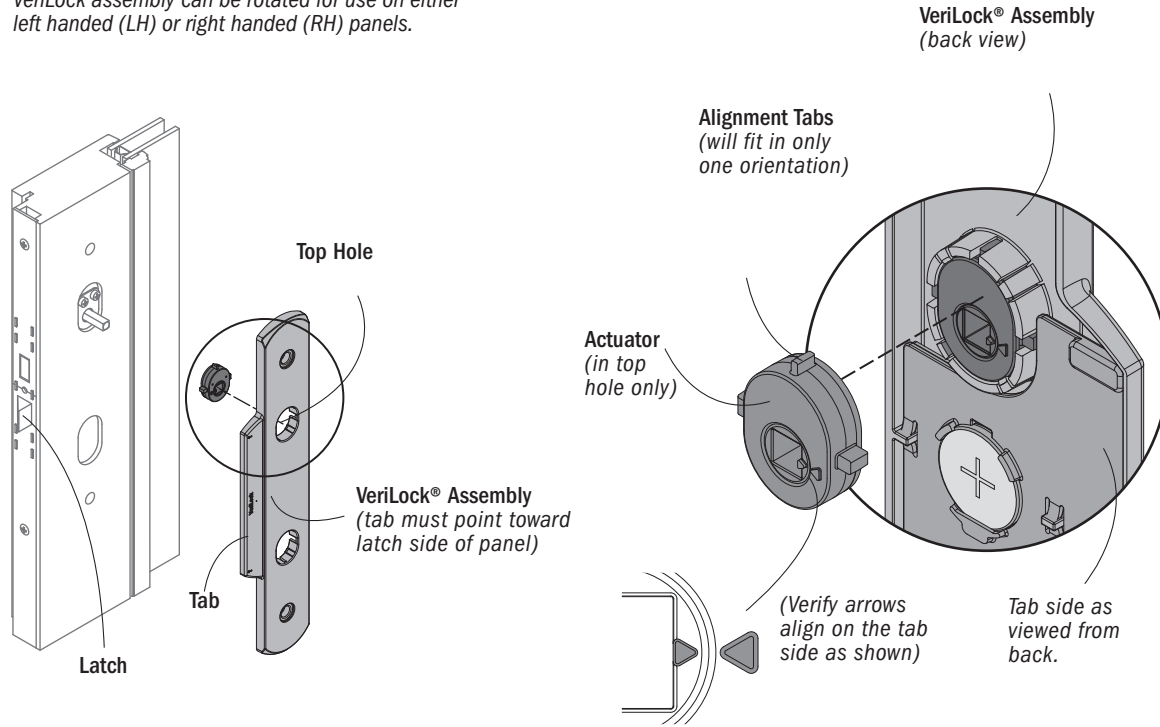


Select preferred color VeriLock face plate. Press sensor into back side of face plate and install batteries with (+) facing out as shown. Indicator light will illuminate for one (1) second when batteries are installed correctly.

7

Interior

VeriLock assembly can be rotated for use on either left handed (LH) or right handed (RH) panels.



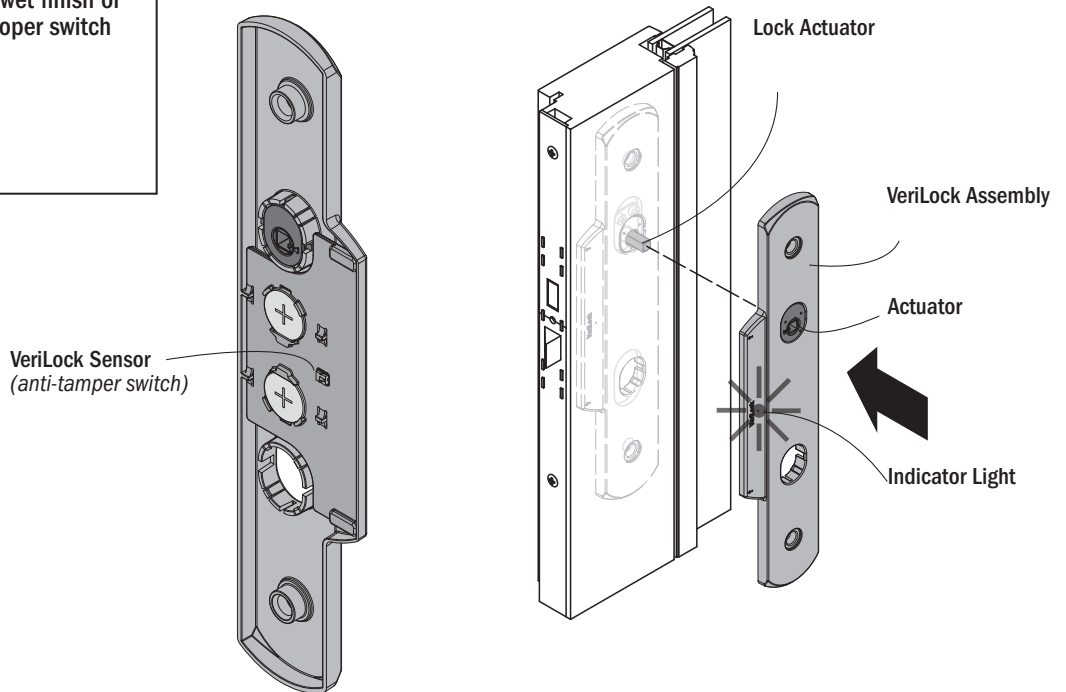
Rotate VeriLock assembly to the correct orientation (tab side must point toward the latch side of panel). Insert actuator into top hole of VeriLock assembly from back side as shown.

8

Interior

CAUTION/PRECAUCIÓN

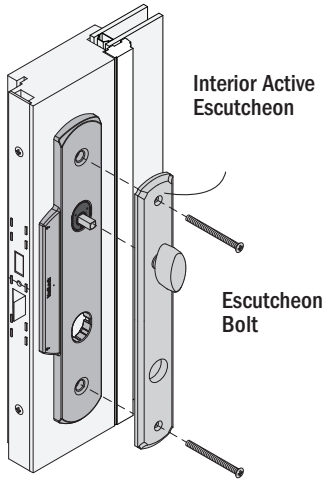
Sensor contains an anti-tamper switch. Do not apply sensor over wet finish or rough/dirty surface. Improper switch function may result.



Verify panel surface is clean and dry. Position VeriLock assembly on the panel over the lock actuator as shown. The indicator will illuminate for one (1) second when the sensor is applied to the panel as the anti-tamper switch is depressed.

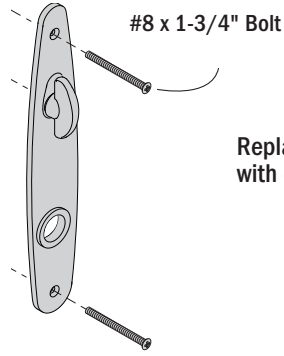
9

Interior



IMPORTANT

Tribeca® Hardware Only

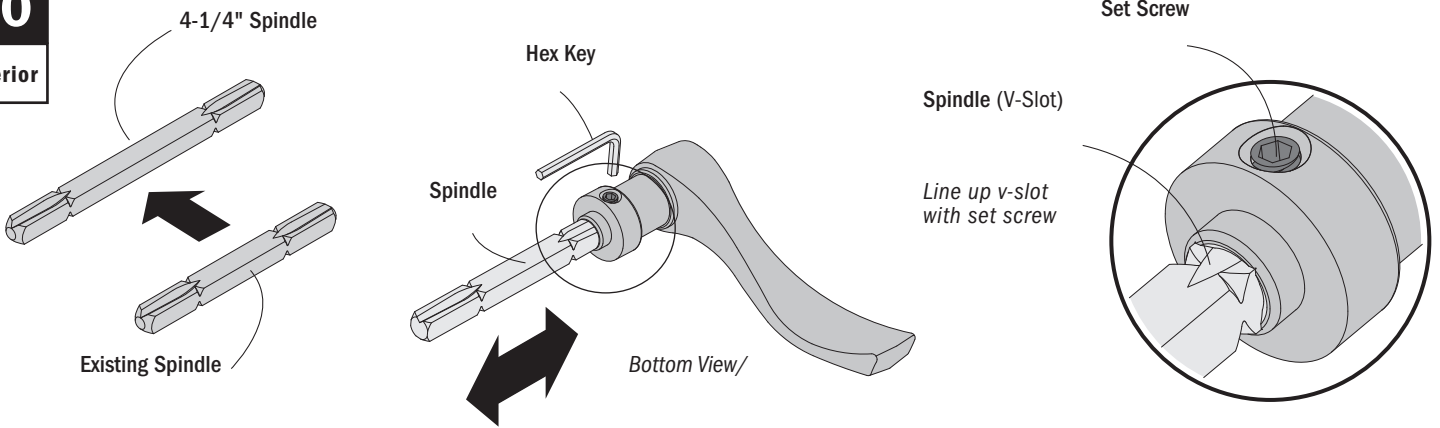


Replace existing bolts with #8 x 1-3/4" bolts.

Position interior escutcheon on panel as shown and fasten bolts (do not fully tighten until handles have been installed).

10

Interior

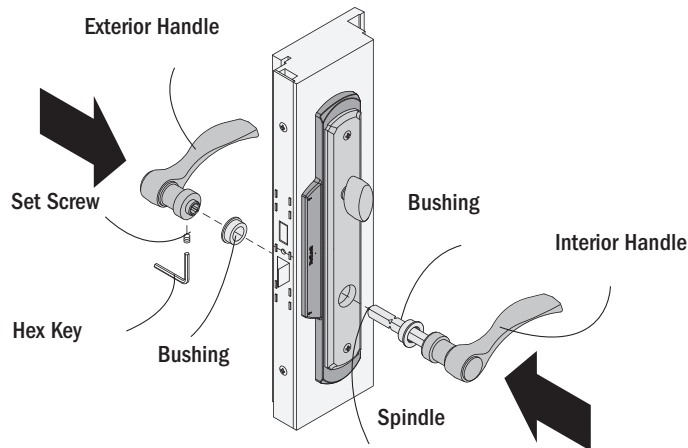


Loosen set screw on handle and remove spindle. Replace existing spindle with 4-1/4" spindle and tighten set screw. Set screw must enter v-slot in spindle when securing the handle.

11

Interior

Handles must point toward the glass with set screw on the bottom.



Slide handles and bushings together tightly. Insert set screw in exterior handle and tighten using hex key. Finish tightening escutcheon bolts.

Magnet Application/

⚠ WARNING ,

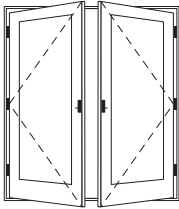
Magnets are small parts and, if swallowed, could pose a choking hazard to young children.

12

CAUTION

Selection of the correct door configuration is critical for magnet application. Wrong configuration selection will result in improper magnet application and product damage.

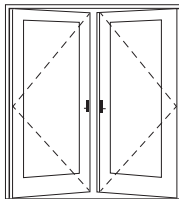
As viewed from
the exterior.



► For **DOUBLE** operating, **OUTSWING** doors, go to **Step 12a**.

Or

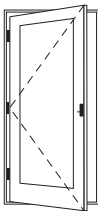
As viewed from
the exterior.



► For **DOUBLE** operating, **INSWING** doors, go to **Step 12b**.

Or

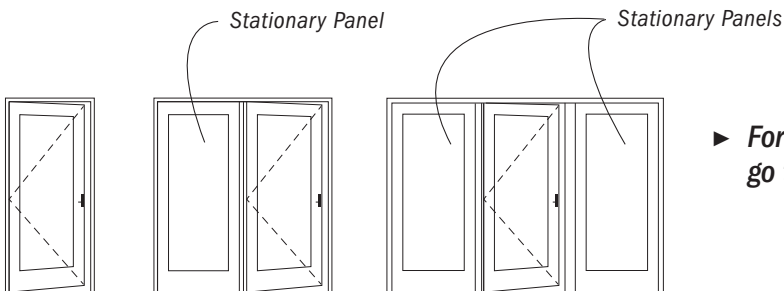
As viewed from
the exterior.



► For **SINGLE** operating, **OUTSWING** doors, go to **Step 12c**.

Or

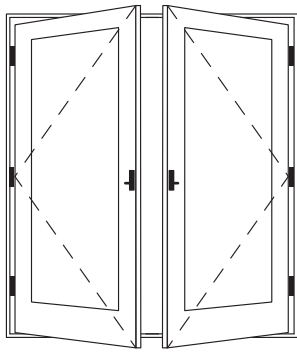
As viewed from
the exterior.



► For **SINGLE** operating, **INSWING** doors,
go to **Step 12d**.

Determine door your configuration and proceed to appropriate section for magnet installation.

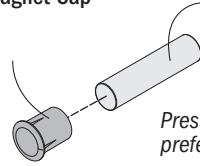
For DOUBLE Operating, OUTSWING Doors Only



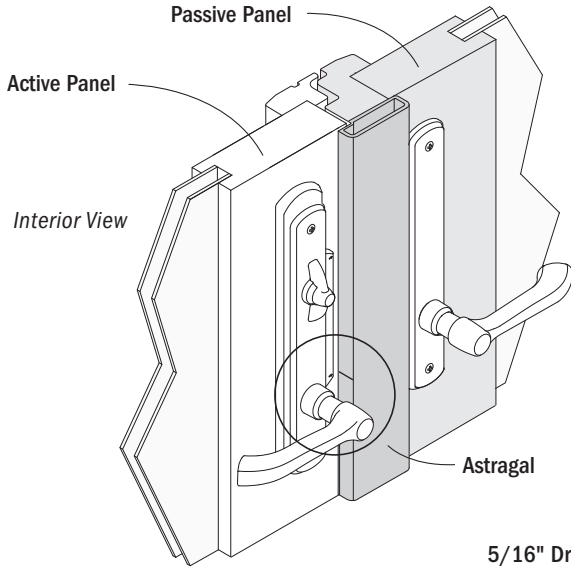
As viewed from the exterior.

Cylinder Magnet Cap

Cylinder Magnet



Press cylinder magnet firmly into preferred color cylinder magnet cap.

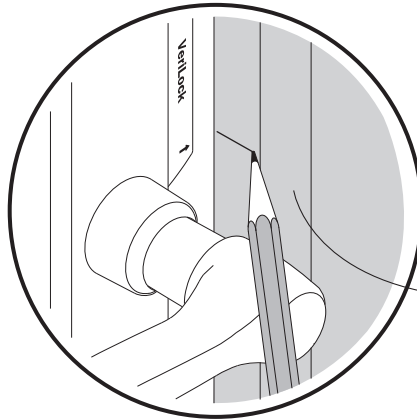


Active Panel

Passive Panel

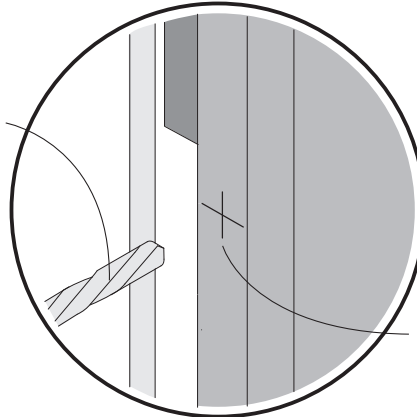
Interior View

Astragal



Close doors and lightly mark magnet location across from bottom arrow on VeriLock face plate, as shown.

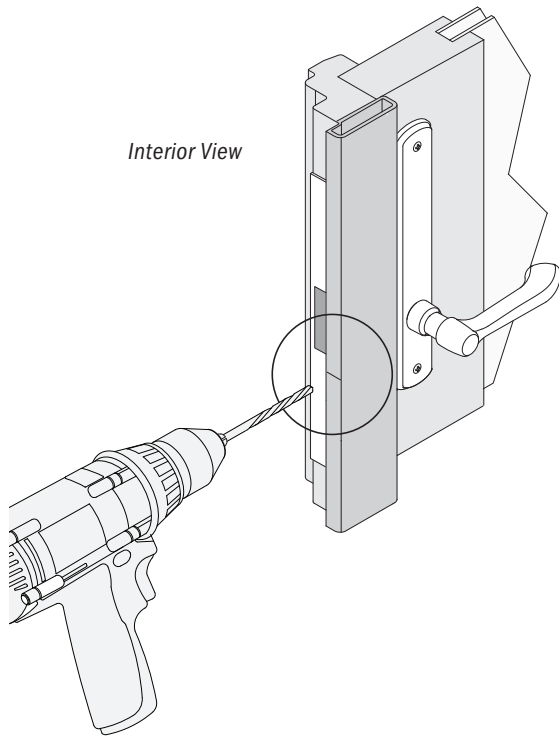
Astragal



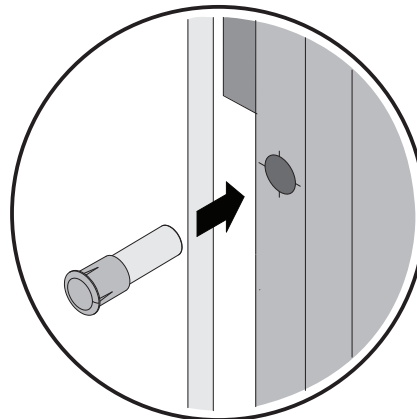
5/16" Drill Bit

Open active panel and drill 5/16" hole at marked location in center of astragal side, as shown.

Center of astragal side.



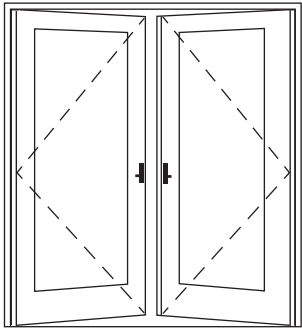
Interior View



Insert cylinder magnet with cap into drilled hole.

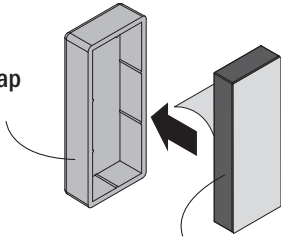
Install magnet on your DOUBLE operating, OUTSWING, door as shown.

For DOUBLE Operating, INSWING Doors Only



As viewed from the exterior.

Block Magnet Cap

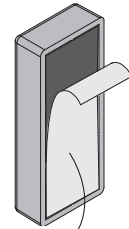


Block Magnet

Remove adhesive liner from one side of block magnet and press firmly into preferred color block magnet cap.

Edge of Passive Panel

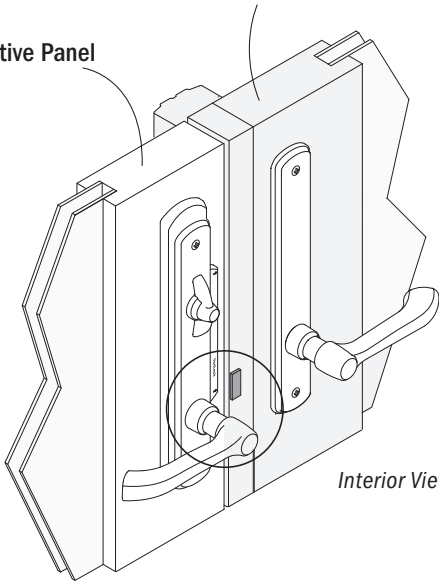
Bottom Arrow



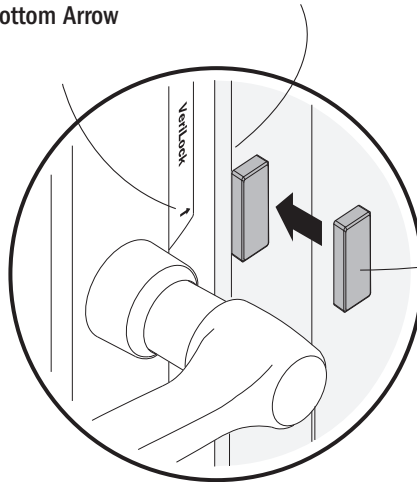
Remove second adhesive liner from block magnet with cap.

Active Panel

Passive Panel

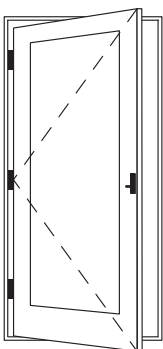


Interior View



Position block magnet with cap to front surface of passive panel, flush to edge, and centered across from bottom arrow on VeriLock face plate.

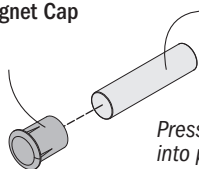
Install magnet on your DOUBLE operating, INSWING, door as shown.



As viewed from the exterior.

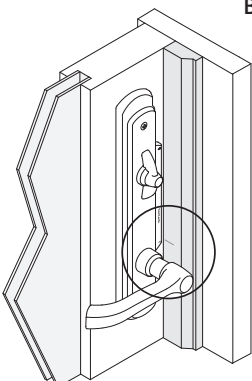
Cylinder Magnet Cap

Cylinder Magnet



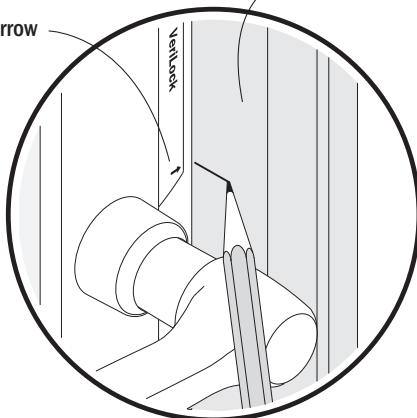
Press cylinder magnet firmly into preferred color cylinder magnet cap.

Interior View



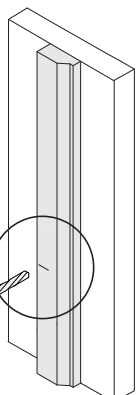
Bottom Arrow

Panel Stop

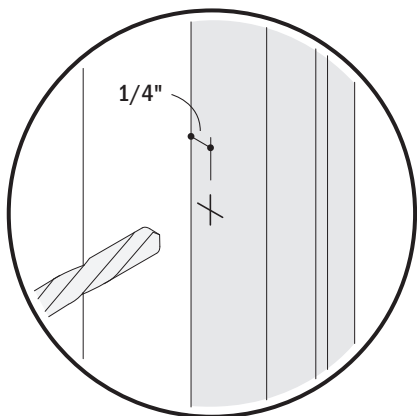
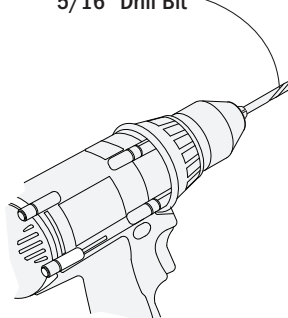


Lightly mark magnet location on panel stop across from bottom arrow on VeriLock face plate, as shown.

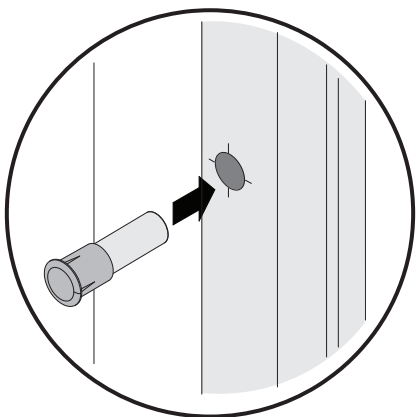
Interior View



5/16" Drill Bit

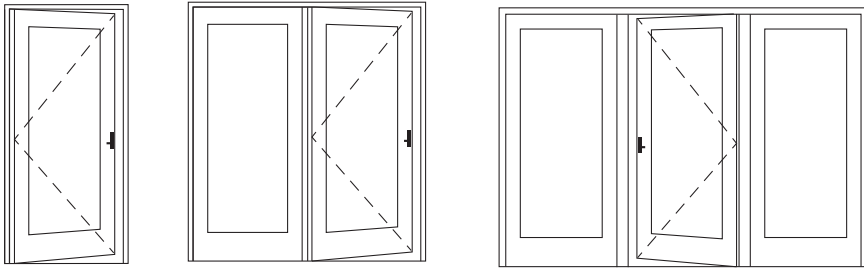


Open door and drill 5/16" hole, 1" deep, 1/4" from panel stop edge.



Insert cylinder magnet with cap into drilled hole.

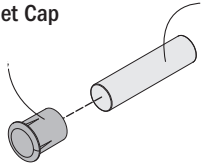
Install magnet on your SINGLE operating, OUTSWING, door as shown.



As viewed from the exterior.

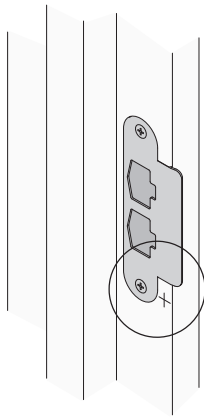
Cylinder Magnet Cap

Cylinder Magnet



Press cylinder magnet firmly into preferred color cylinder magnet cap.

Interior View



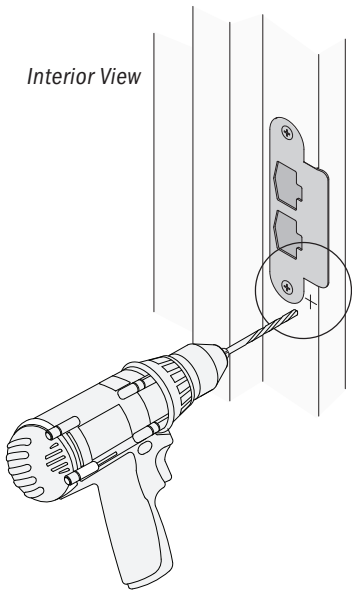
Strike Plate

Jamb

Edge of jamb.

Open door and mark magnet location on jamb (even with bottom strike plate screw and centered in the area between the strike plate and jamb edge).

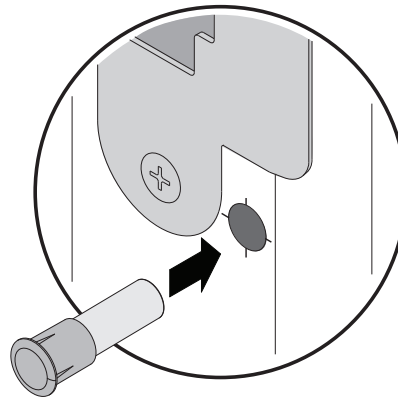
Interior View



5/16" Drill Bit

Drill 5/16" hole, 1" deep, at marked location.

Insert cylinder magnet with cap into drilled hole.

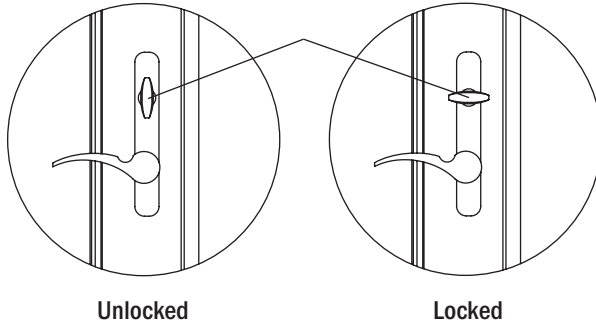


Install magnet on your SINGLE operating, INSWING, door as shown.

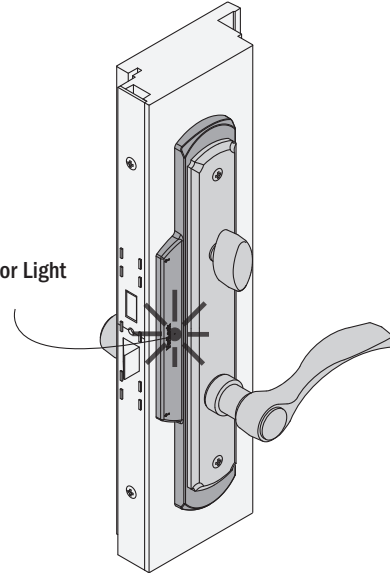
13

Interior

Thumb Turn Latch



Indicator Light



1. Close door without locking. Indicator light will illuminate for one (1) second.
2. Engage all upper, middle and lower hooks and lock door with dead bolt. Indicator light will illuminate for one (1) second. Verify door is locked.
3. Unlock door with dead bolt. Indicator light will illuminate for one (1) second.
4. Open door. Indicator light will illuminate for one (1) second.

Verify VeriLock® sensor function. If indicator light does not respond as described, verify sensor application and magnet placement.

► Procedure is complete.

Refer to monitoring system of your choice for sensor enrollment. /

For maintenance information, please visit <http://www.andersenwindows.com/verilock> and consult with the VeriLock user guide.

Federal Communications Commission (FCC) Part 15 Statement

This device complies with FCC Rules Part 15. Operation is subject to the following two conditions: (1) This device may not cause harmful interference. (2) This device must accept any interference that may be received, including interference that may cause undesired operation.

Industry Canada (IC) RSS Statement

This device complies with Industry Canada license-exempt RSS standard(s). Operation is subject to the following two conditions: (1) This device may not cause interference, and (2) This device must accept any interference, including interference that may cause undesired operation of the device.

Le présent appareil est conforme aux CNR d'Industrie Canada applicables aux appareils radio exempts de licence. L'exploitation est autorisée aux deux conditions suivantes: (1) l'appareil ne doit pas produire de brouillage; (2) l'utilisateur de l'appareil doit accepter tout brouillage radioélectrique subi, même si le brouillage est susceptible d'en compromettre le fonctionnement.

Changes or modifications not expressly approved by Andersen may void the user's authority to operate the equipment.