

VeriLock® Security Sensor Application

for Andersen® A-Series Double-Hung Windows

Thank you for choosing Andersen. /

For questions call 1-888-888-7020. For more information and/or guides visit andersenwindows.com.

Please leave this guide with building owner.

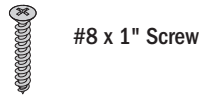
- ▶ Read guide from beginning to end before starting installation. Read all warnings and cautions during unit installation.
- ▶ Check with your local building code official to identify and confirm compliance with local building code requirements.

Tools Needed /

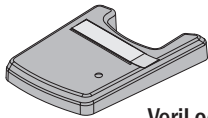
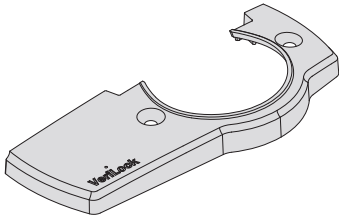
- Safety Glasses /
- Phillips Screwdriver /

Parts Included /

- (1) VeriLock Sensor /
- (4) VeriLock Active Cover /
- (4) Lock Magnet /
- (1) Keeper Magnet /
- (1) CR-2025 Battery /
- (1) Battery Cap /
- (8) #8 x 1" Screw (color matched) /

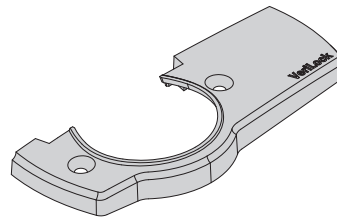


- (1) Cleaning Wipe /

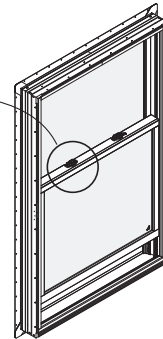


Additional Parts Required for Units with Two Locks

- (4) VeriLock Dummy Cover /
- (8) #8 x 1" Screw (color matched) /



NOTE: VeriLock dummy cover is installed on the **left** lock of units with two locks, as viewed from the interior.



⚠ WARNING /

Use caution when working at elevated heights and around unit openings. Follow manufacturers' instructions for ladders and/or scaffolding. Failure to do so may result in injury or death.

⚠ WARNING /

Follow manufacturers' instructions for hand or power tools. Always wear safety glasses. Failure to do so may result in injury and/or product damage.

⚠ WARNING ,

Batteries carry the risk of fire, explosion and burns. Do not recharge, disassemble, heat above 212 degrees F (100 degrees C) or incinerate. Dispose of used batteries promptly and properly. Keep away from children.

⚠ WARNING ,

Magnetic field can be harmful to implanted medical device wearers. Keep magnets away from devices.

⚠ WARNING ,

Batteries are small parts and, if swallowed, could pose a choking hazard to young children.

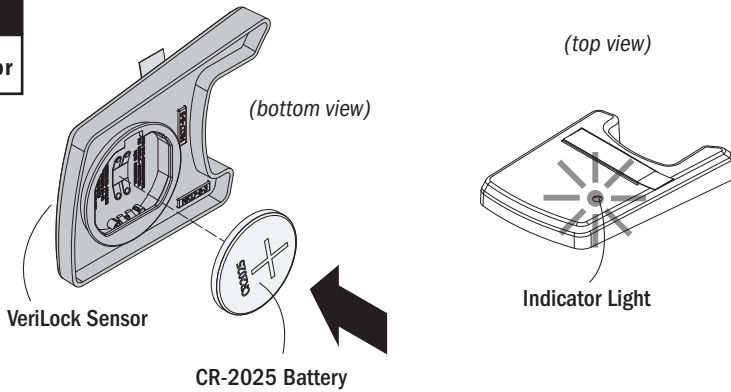
Las baterías son partes pequeñas que, en caso de ingesta, pueden representar un riesgo de asfixia para niños pequeños.

⚠ WARNING ,

Magnets are small parts and, if swallowed, could pose a choking hazard to young children.

1

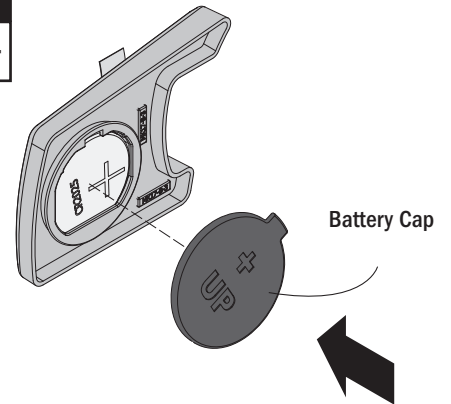
Interior



Insert battery into VeriLock sensor (+) facing out. Indicator light will illuminate for one (1) second when battery is installed correctly.

2

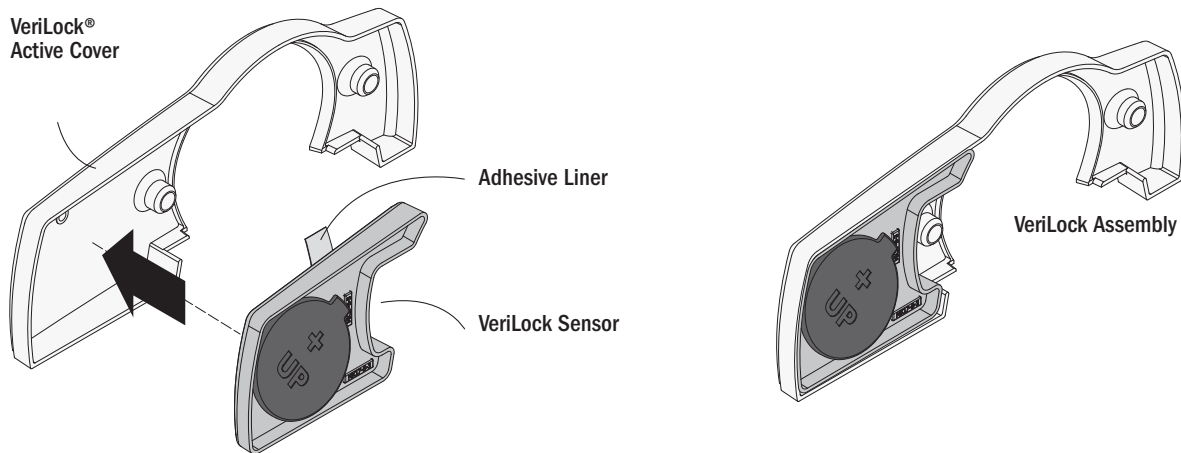
Interior



Position battery cap over battery with edges tightly sealed. Make sure all cap edges are sealed around the battery ring.

3

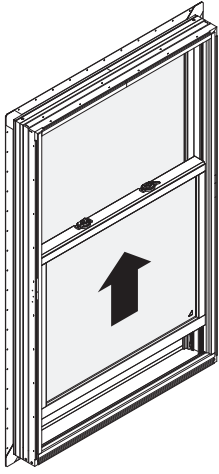
Interior



Select preferred color VeriLock active cover. Remove adhesive liner from sensor and press sensor firmly into backside of VeriLock active cover as shown.

4

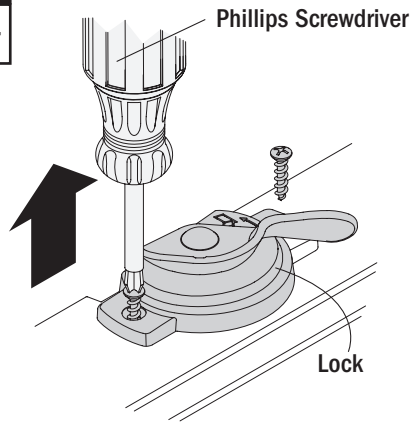
Interior



Unlock and open bottom sash.

5

Interior

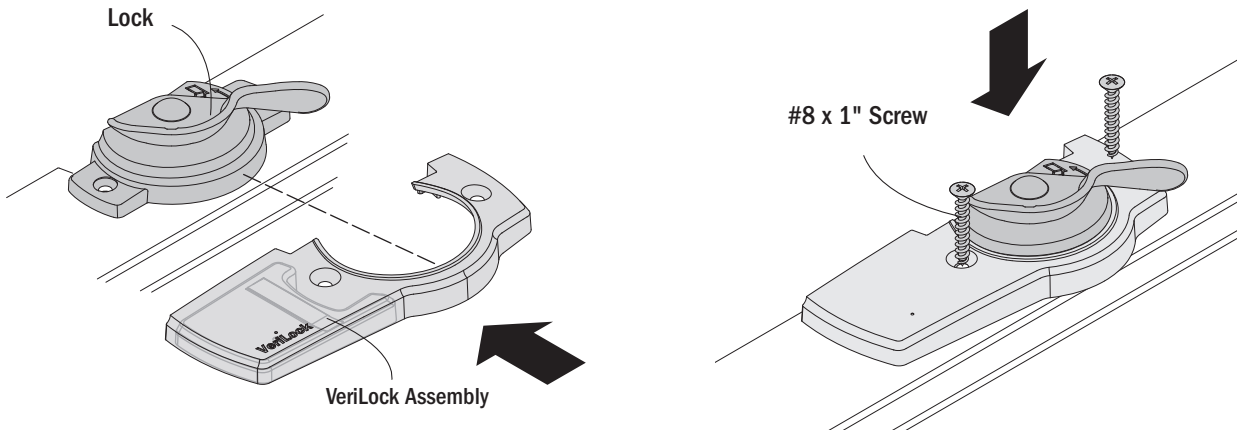


NOTE: VeriLock sensor is installed on the **right** lock of units with two locks, as viewed from the interior.

Remove screws from lock and dispose of properly. Do not remove or lift lock after unscrewing.

6

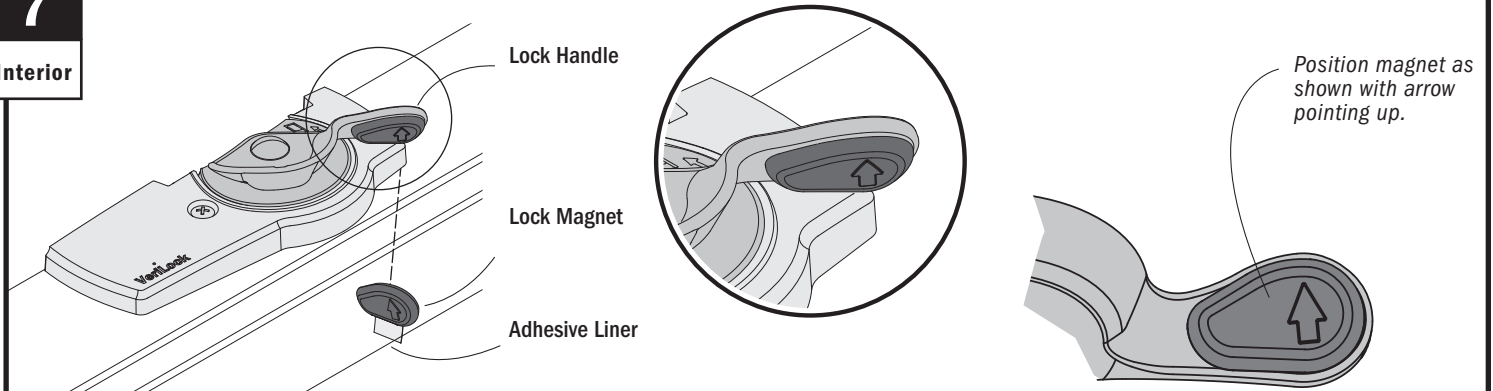
Interior



Position VeriLock assembly around lock as shown. Fasten using #8 x 1" color matched screws provided. Do not over tighten screws.

7

Interior

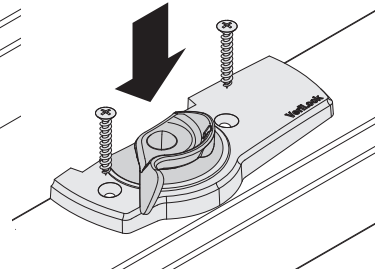
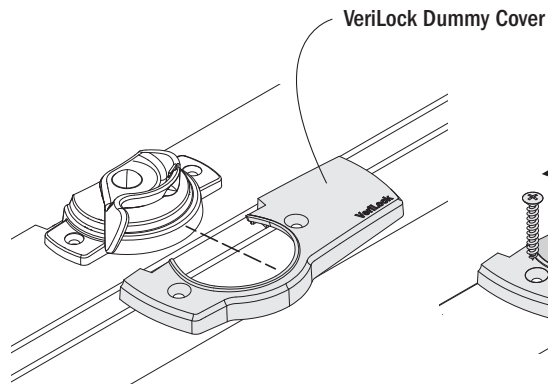
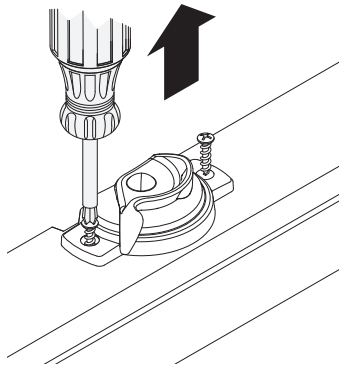
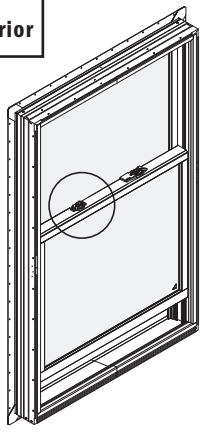


Clean area on lock handle to receive lock magnet with cleaning wipe provided. Remove adhesive liner press magnet firmly on lock handle with arrow pointing up as shown.

8

For Units with Two Locks Only /

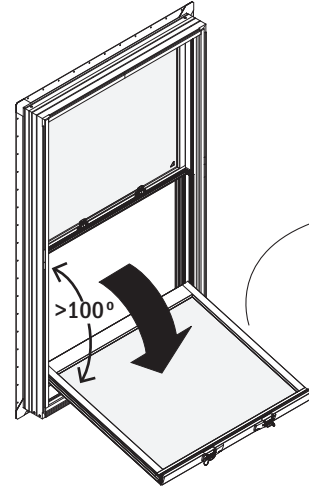
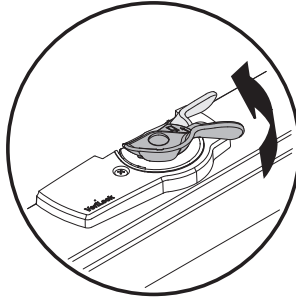
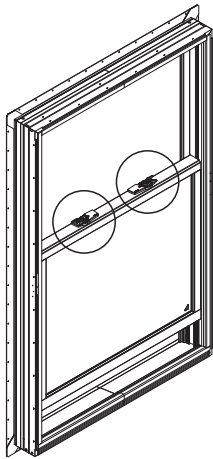
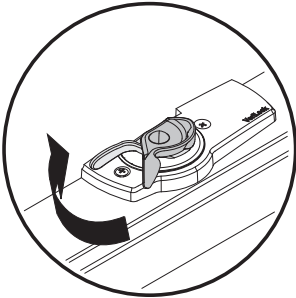
Interior



Remove screws from left lock and dispose of properly. Do not remove lock. Position VeriLock dummy cover around left lock and fasten using #8 x 1" color matched screws provided. Do not over tighten screws.

9

Interior

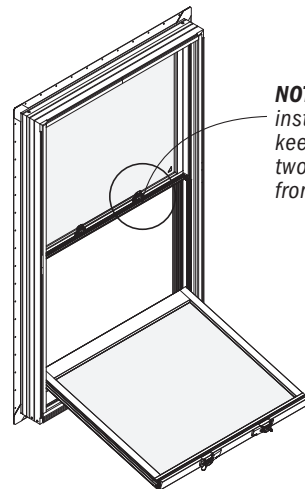
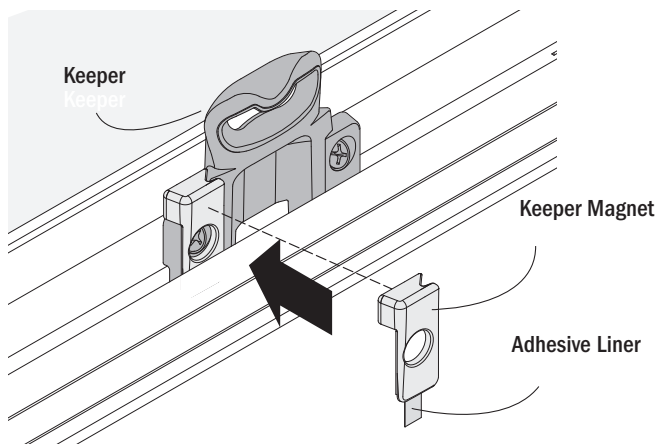


NOTE: Set window on a support object at an angle greater than 100 degrees.

Retract tilt latches by pushing lock handle(s) outward. Tilt bottom sash in and support.

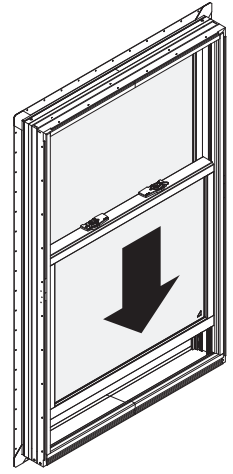
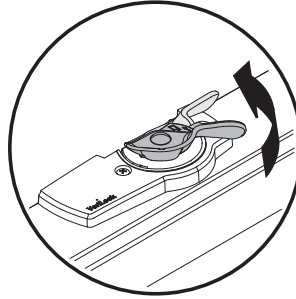
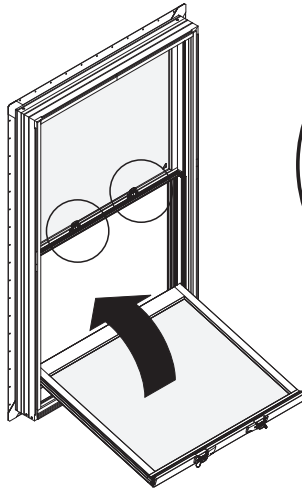
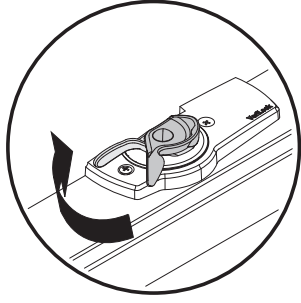
10

Interior



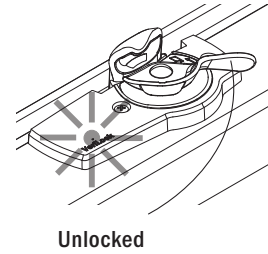
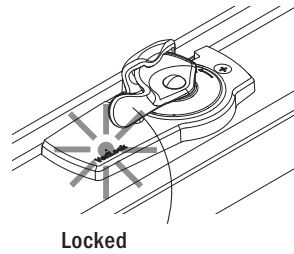
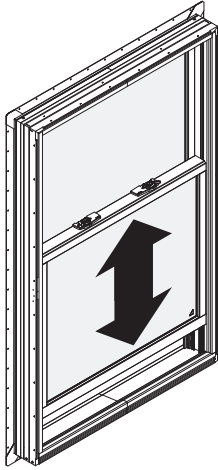
NOTE: Magnet is installed on the right keeper of units with two locks, as viewed from the interior.

Clean area on keeper to receive magnet with cleaning wipe provided. Remove adhesive liner and position keeper magnet as shown. Press firmly in place.

11**Interior**

Retract tilt latches by pushing lock handle(s) outward and tilt sash up. Close and lock sash.

Verify VeriLock Sensor Function /

12**Interior**

1. Raise lower sash from closed position. Indicator light will illuminate for one (1) second.
2. Close lower sash so the lock aligns with the keeper. Indicator light will illuminate for one (1) second.
3. Lock window. Indicator light will illuminate for one (1) second.
4. Unlock window. Indicator light will illuminate for one (1) second.

Verify VeriLock sensor function. If indicator light does not respond as described, verify sensor application and magnet placement.

► Procedure is complete.

Refer to monitoring system of your choice for sensor enrollment.

For maintenance information, please visit <http://www.andersenwindows.com/verilock> and consult with the VeriLock user guide.

Federal Communications Commission (FCC) Part 15 Statement

This device complies with FCC Rules Part 15. Operation is subject to the following two conditions: (1) This device may not cause harmful interference. (2) This device must accept any interference that may be received, including interference that may cause undesired operation.

Industry Canada (IC) RSS Statement

This device complies with Industry Canada license-exempt RSS standard(s). Operation is subject to the following two conditions: (1) This device may not cause interference, and (2) This device must accept any interference, including interference that may cause undesired operation of the device.

Le présent appareil est conforme aux CNR d'Industrie Canada applicables aux appareils radio exempts de licence. L'exploitation est autorisée aux deux conditions suivantes: (1) l'appareil ne doit pas produire de brouillage; (2) l'utilisateur de l'appareil doit accepter tout brouillage radioélectrique subi, même si le brouillage est susceptible d'en compromettre le fonctionnement.

Changes or modifications not expressly approved by Andersen may void the user's authority to operate the equipment.