

VeriLock® Security Sensor Lock Application

for Andersen® 400 Series Tilt-Wash, 400 Series Woodwright, and Renewal by Andersen Double-Hung Windows

Thank you for choosing Andersen. /

For questions call 1-888-888-7020. For more information and/or guides visit andersenwindows.com.

Please leave this guide with building owner.

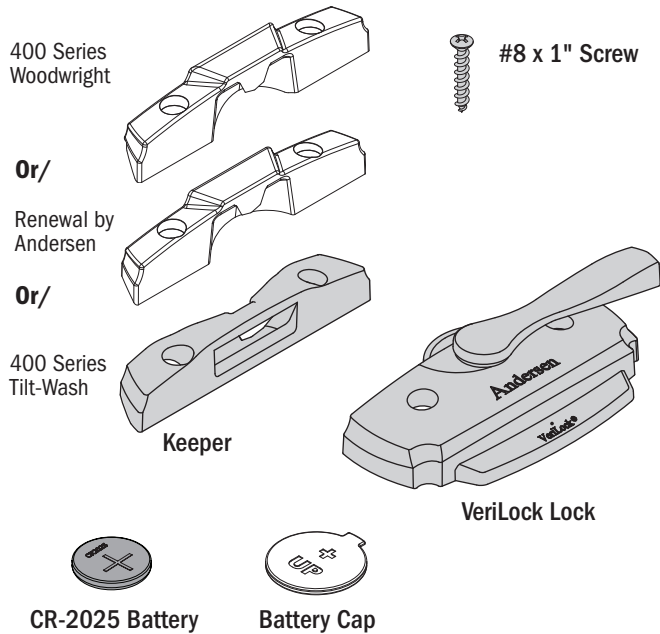
- ▶ **Read guide from beginning to end before starting installation. Read all warnings and cautions during unit installation.**
- ▶ **Check with your local building code official to identify and confirm compliance with local building code requirements.**

Tools Needed

- Safety Glasses /
- Phillips Screwdriver /

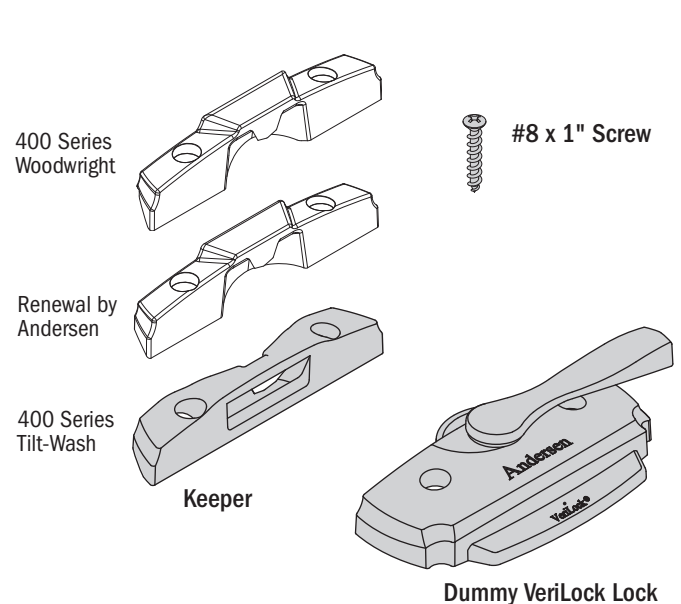
Parts Included /

- (1) VeriLock Lock /
- (1) Keeper /
- (4) #8 x 1" Screw (color matched) /
- (1) CR-2025 Battery /
- (1) Battery Cap /



Additional Parts Required for Units with Two Locks

- (1) Dummy VeriLock Lock /
- (3) Keeper /
- (4) #8 x 1" Screw (color matched) /



⚠ WARNING

Use caution when working at elevated heights and around unit openings. Follow manufacturers' instructions for ladders and/or scaffolding. Failure to do so may result in injury or death.

⚠ WARNING /

Follow manufacturers' instructions for hand or power tools. Always wear safety glasses. Failure to do so may result in injury and/or product damage.

⚠ WARNING /

Batteries carry the risk of fire, explosion and burns. Do not recharge, disassemble, heat above 212 degrees F (100 degrees C) or incinerate. Dispose of used batteries promptly and properly. Keep away from children.

⚠ WARNING /

Magnetic field can be harmful to implanted medical device wearers. Keep magnets away from devices.

⚠ WARNING /

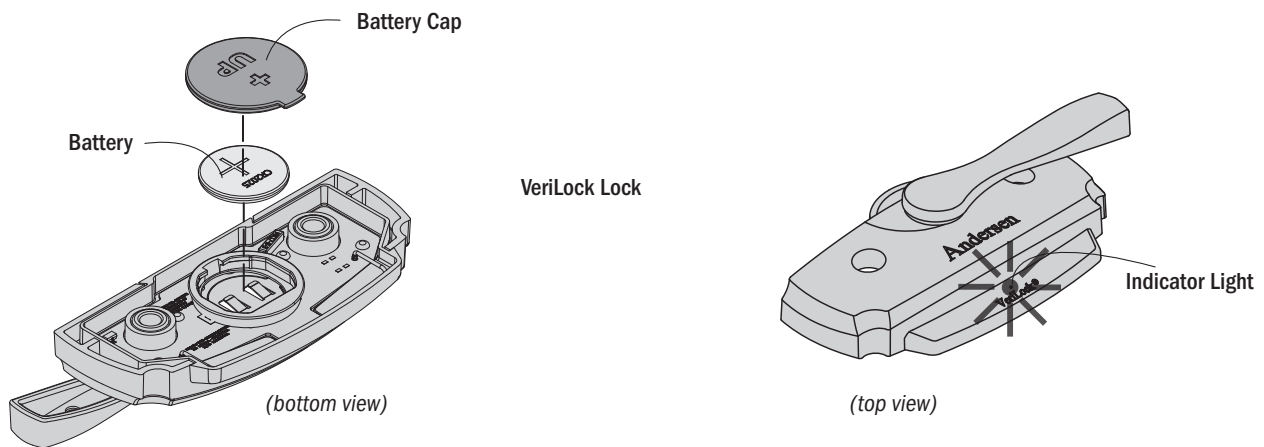
Batteries are small parts and, if swallowed, could pose a choking hazard to young children.

⚠ WARNING /

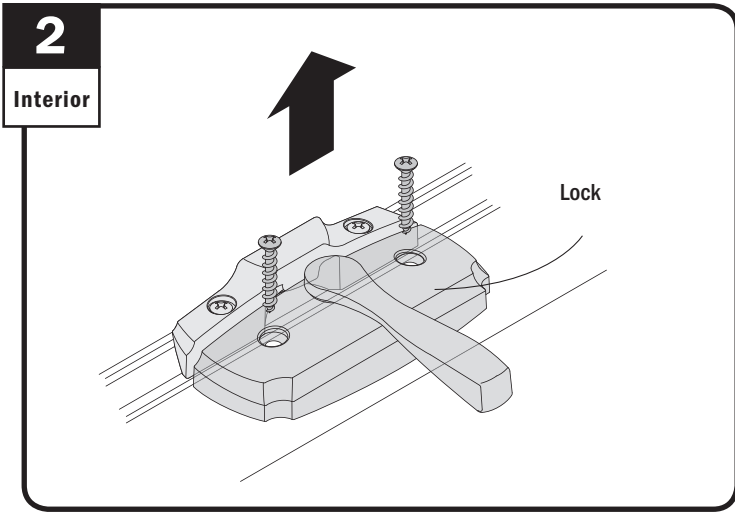
Magnets are small parts and, if swallowed, could pose a choking hazard to young children.

1

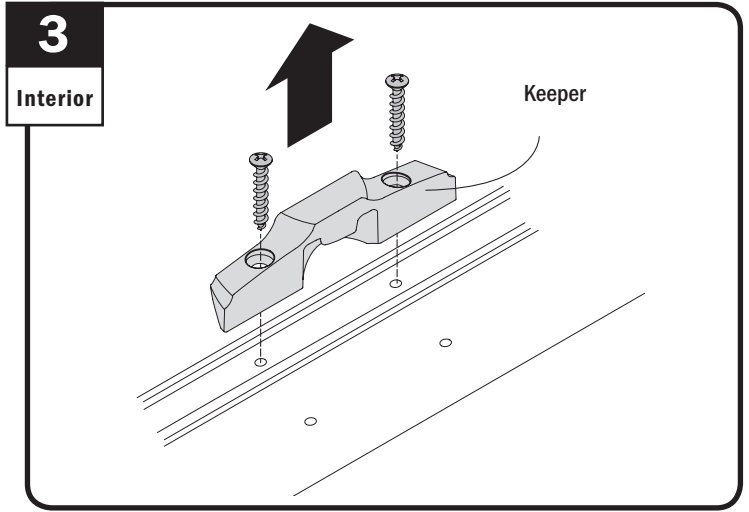
Interior



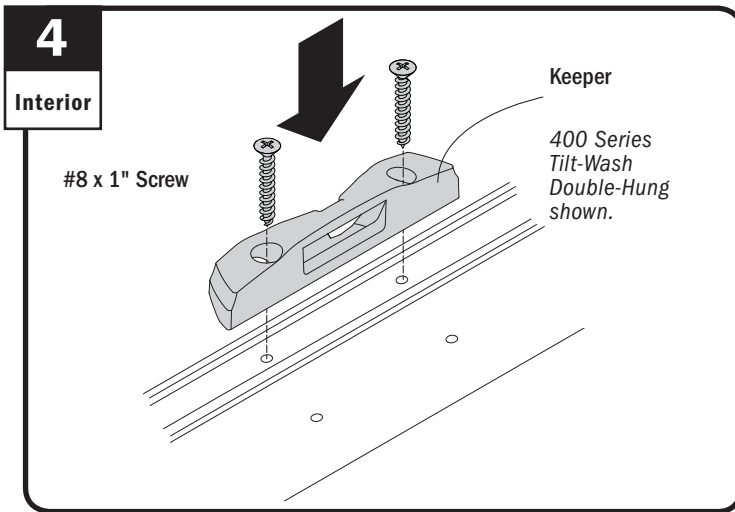
Insert battery into VeriLock lock (+) facing out as shown. Indicator light will illuminate for one (1) second when battery is installed correctly. Position battery cap over battery with edges tightly sealed. Make sure all cap edges are sealed around the battery ring.



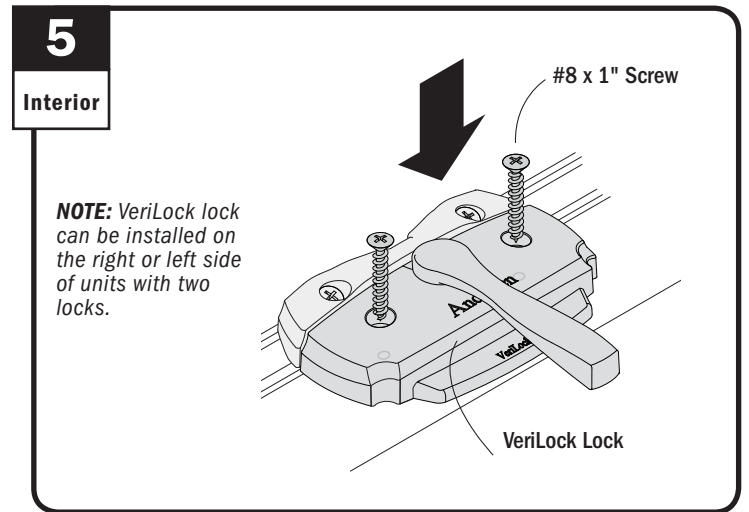
Remove existing lock(s).



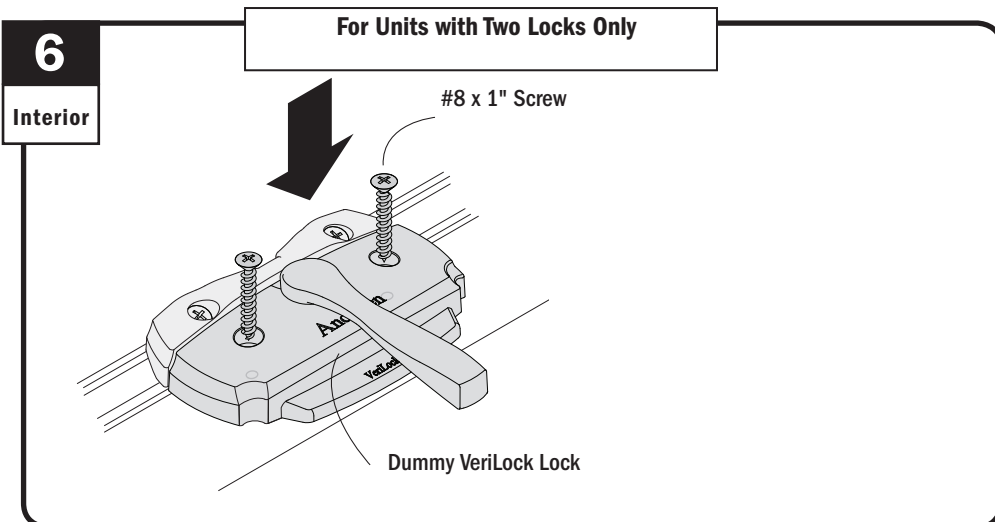
Remove existing keeper(s).



Position new keeper(s) over existing holes and fasten using #8 x 1" color matched screws provided. Do not over tighten.



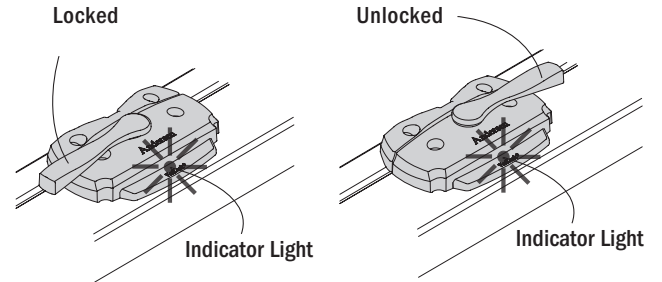
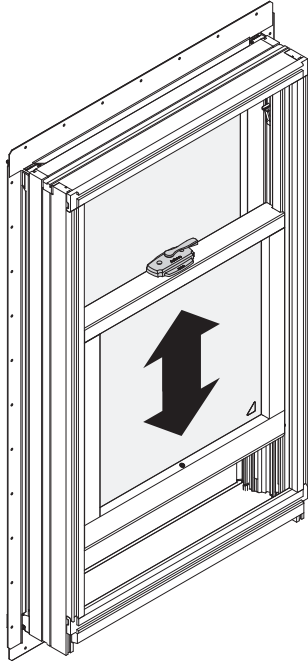
Position VeriLock lock over existing holes and fasten using #8 x 1" color matched screws provided. Do not over tighten.



Position dummy VeriLock lock on opposite side and fasten using #8 x 1" color matched screws provided. Do not over tighten.

7

Interior



1. Raise lower sash. Indicator light will illuminate for one (1) second.
2. Close lower sash so the lock aligns with the keeper. Indicator light will illuminate for one (1) second.
3. Lock window. Indicator light will illuminate for one (1) second.
4. Unlock window. Indicator light will illuminate for one (1) second.

Verify VeriLock sensor function. If indicator light does not respond as described, verify sensor application.

► Procedure is complete.

Refer to monitoring system of your choice for sensor enrollment.

For maintenance information, please visit <http://www.andersenwindows.com/verilock> and consult with the VeriLock® user guide.

Federal Communications Commission (FCC) Part 15 Statement

This device complies with FCC Rules Part 15. Operation is subject to the following two conditions: (1) This device may not cause harmful interference. (2) This device must accept any interference that may be received, including interference that may cause undesired operation.

Industry Canada (IC) RSS Statement

This device complies with Industry Canada license-exempt RSS standard(s). Operation is subject to the following two conditions: (1) This device may not cause interference, and (2) This device must accept any interference, including interference that may cause undesired operation of the device.

Le présent appareil est conforme aux CNR d'Industrie Canada applicables aux appareils radio exempts de licence. L'exploitation est autorisée aux deux conditions suivantes: (1) l'appareil ne doit pas produire de brouillage; (2) l'utilisateur de l'appareil doit accepter tout brouillage radioélectrique subi, même si le brouillage est susceptible d'en compromettre le fonctionnement.

Changes or modifications not expressly approved by Andersen may void the user's authority to operate the equipment.