

**Power Window Control System
Installation and Programming Guide**
**Power Window Control System
Installation and Programming Guide**

Table of Contents

- Power Window Control System Window Preparation**
 - Existing Window or New Window 3-XX

- Power Window Control System Installation**
 - New Construction. 5-11
 - Existing Construction 12-19

- Power Window Control System Programming**
 - Console Programming 21-22
 - Remote Control Programming. 23-24

- Power Window Control System Operation. 25**

- Power Window Control System Wiring Diagram 26**

- Power Window Control System Operation Codes 27**

- Trouble Shooting. 28-30**

- Regulatory Compliance. 31**

- Warranty 32-33**

Power Window Control System Window Preparation

Power Window Control System Window Preparation

⚠ WARNING / ADVERTENCIA

XX

Power Window Control System Installation Guide

Power Window Control System Installation Guide

for Andersen® Awning Windows with Power Windows
 for Andersen® Awning Windows with Power Windows



Thank you for choosing Andersen. / Gracias por elegir

For questions call 1-888-888-7020. For more information

Please leave this guide with building owner.

Si tiene alguna pregunta llame al 1-888-888-7020. Para

Deje esta guía con el dueño de la construcción.

- ▶ **Read guide from beginning to end before starting installation. Read all warnings and cautions during unit installation.**
Lea completamente la guía antes de comenzar la instalación. Lea y respete todas las advertencias y precauciones durante la instalación de la unidad.
- ▶ **Check with your local building code official to identify and confirm compliance with local building code requirements.**
Consulte los códigos locales de construcción para identificar y confirmar que se cumplan los requisitos del código de construcción.

Parts Included / Parts Included

- (1) Power Box Components / Power Box Components
- (1) Key Pad / Key Pad
- (1) Mounting Ring / Mounting Ring
- (7) 1/2" Screws / 1/2" Screws
- (1) Installation Instructions / Installation Instructions

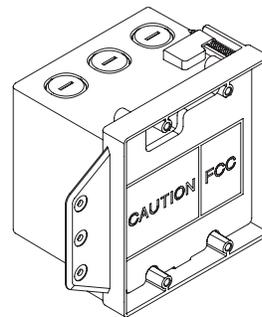
Tools Needed / Tools Needed

- Safety glasses / Safety glasses
- Tape measure / Tape measure
- Drill/Driver / Drill/Driver
- Wire Cutter / Wire Cutter
- Wire Stripper / Wire Stripper
- Phillips Head Screw Driver / Phillips Head Screw Driver
- 1/2" Spade Bit / 1/2" Spade Bit
- Tape Measure / Tape Measure
- Hammer / Hammer
- Paper Clip / Paper Clip
- 3/8" Drill Bit / 3/8" Drill Bit

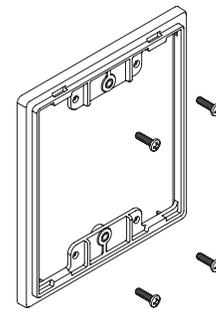
Supplies Needed / Supplies Needed

- 18-3 Conductor Wire / 18-3 Strand Conductor Wire
- 14-2(min) High Voltage Wire / 14-2(min) High Voltage Wire
- 1-5/8" Drywall Screws / 1-5/8" Drywall Screws
- Outlet Box Cable Clamps / Outlet Box Cable Clamps
- Wire Staples / Wire Staples
- Drywall Saw / Drywall Saw

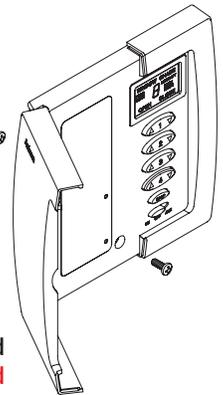
- ▶ **For installation in new construction, see page 5.**
- ▶ **For installation in new construction, see page 5.**
- ▶ **For installation in existing construction, see page 12.**
- ▶ **For installation in existing construction, see page 12.**



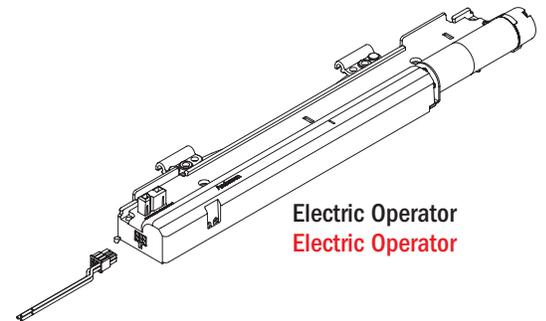
Power Box
Power Box



Mounting Ring
Mounting Ring



Key Pad
Key Pad



Electric Operator
Electric Operator

⚠ WARNING / ADVERTENCIA

Use caution when working at elevated heights and around unit openings. Follow manufacturers' instructions for ladders and/or scaffolding. Failure to do so may result in injury or death.

Sea cauteloso al trabajar en lugares elevados y cerca de las aberturas de la unidad. Siga las instrucciones del fabricante para el uso de escaleras y/o andamios. Si no lo hiciera, podrían producirse lesiones o la muerte.

⚠ WARNING / ADVERTENCIA

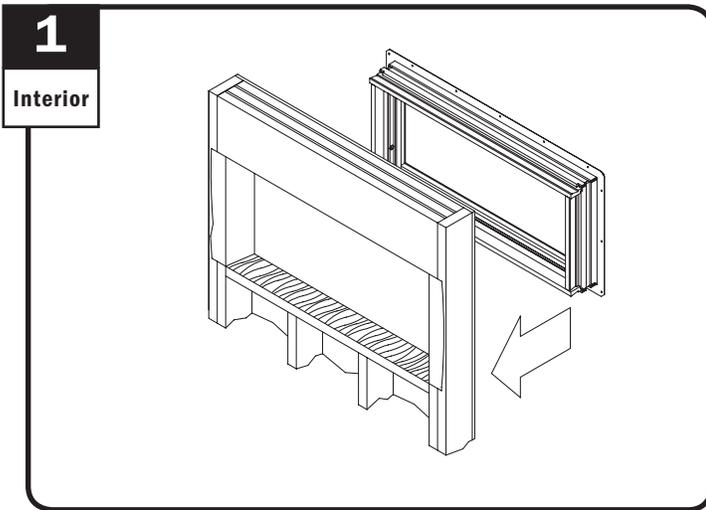
Follow manufacturers' instructions for hand or power tools. Always wear safety glasses. Failure to do so may result in injury and/or product damage.

Siga las instrucciones del fabricante para el uso de herramientas eléctricas o manuales. Utilice siempre gafas de seguridad. Si no lo hiciera, podrían producirse lesiones y/o daños al producto.

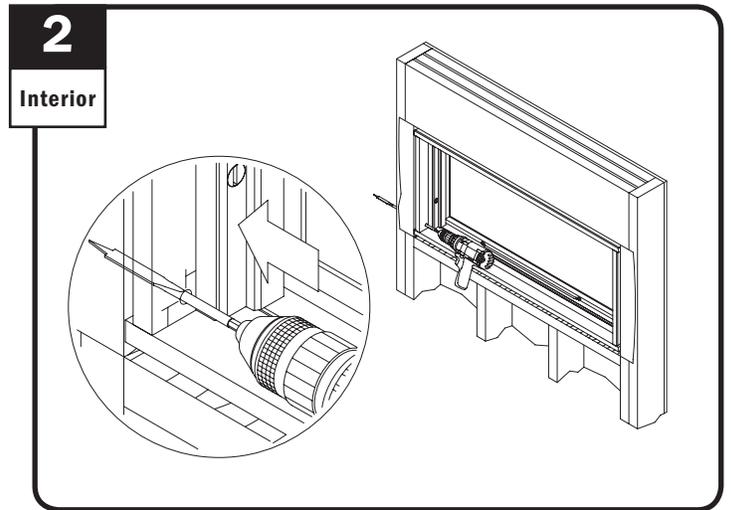
Power Window Control System Installation (New Construction)

Power Window Control System Installation (New Construction)

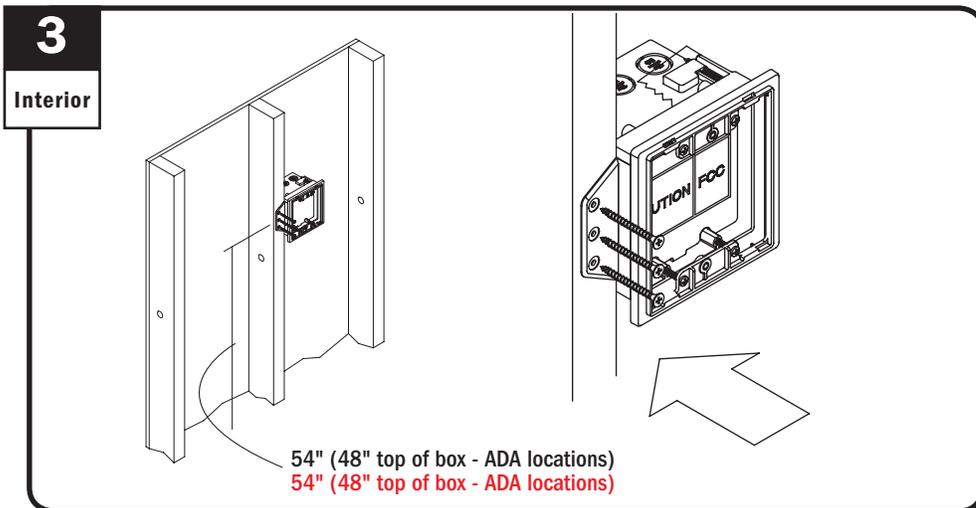
- ▶ See wiring diagram for proper wire configuration prior to starting
- ▶ See wiring diagram for proper wire configuration prior to starting



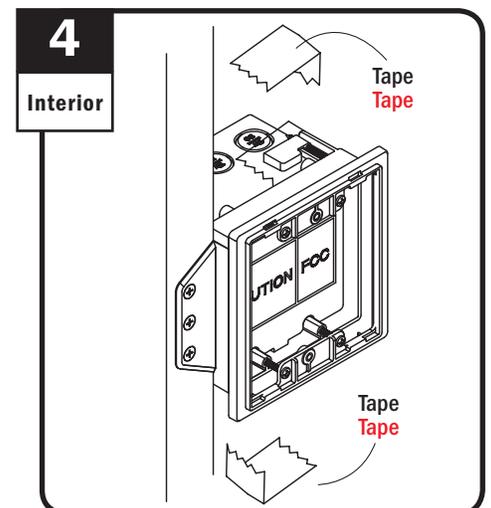
Install window following installation instructions.
Install window following installation instructions.



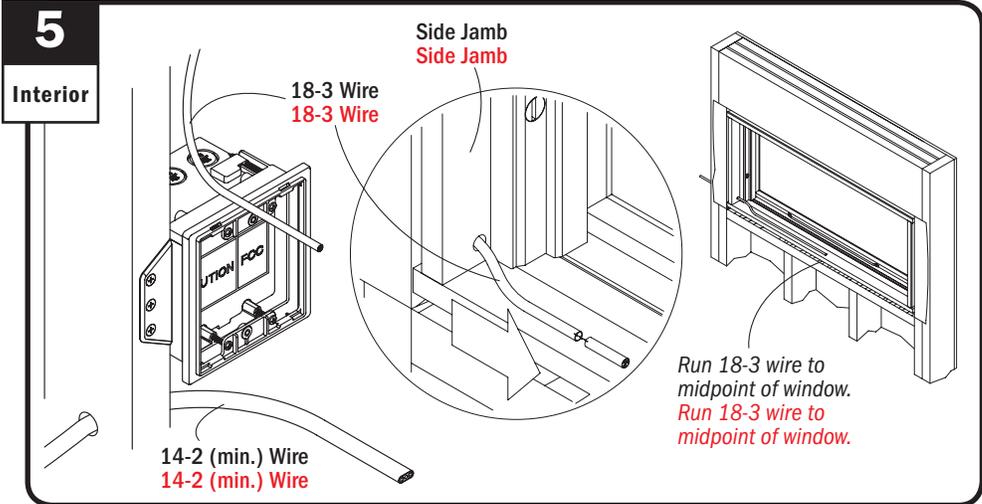
Drill 3/8" hole through side extension jamb as shown.
Drill 3/8" hole through side extension jamb as shown.



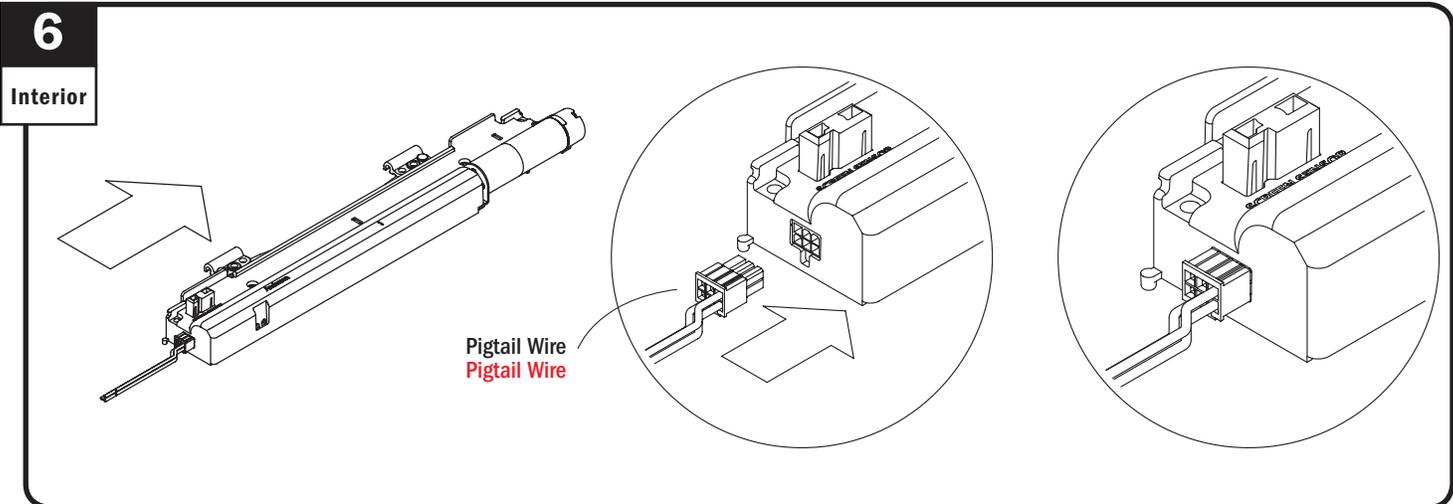
Locate power box on interior wall, 54" above floor (48" top of box - ADA locations) and within 50 feet of window. Attach box to stud using three drywall screws.
Locate power box on interior wall, 54" above floor (48" top of box - ADA locations) and within 50 feet of window. Attach box to stud using three drywall screws.



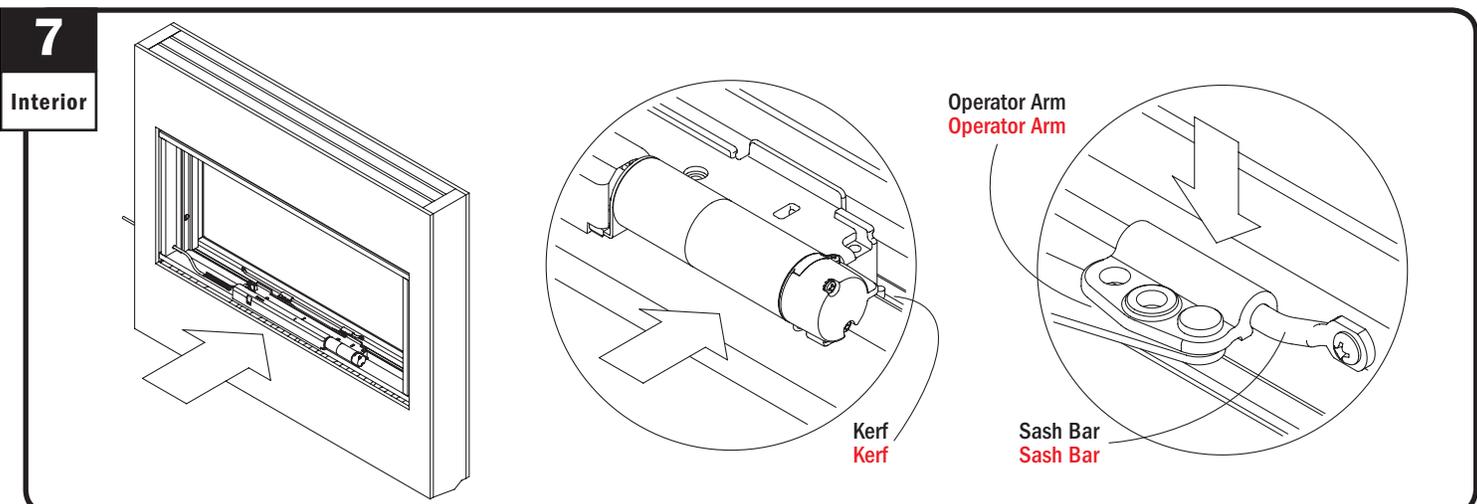
Remove tape.
Remove tape.



Run 18-3 wire through side jamb between power box and awning window(s) and run 14-2 (min.) wire to power box location.
Run 18-3 wire through side jamb between power box and awning window(s) and run 14-2 (min.) wire to power box location.



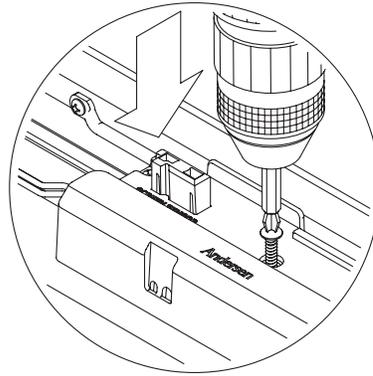
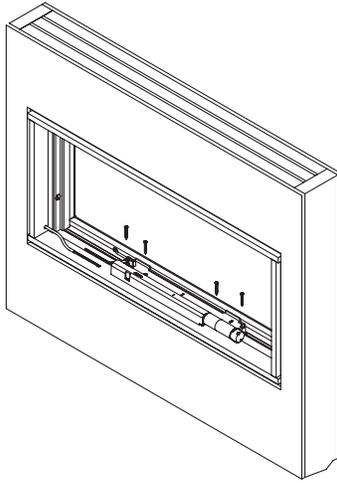
Plug pigtail wire into electric operator.
Plug pigtail wire into electric operator.



Position electric operator over predrilled holes on sill with operator tabs in locating kerf. Attach electric operator arms to sash bar.
Position electric operator over predrilled holes on sill with operator tabs in locating kerf. Attach electric operator arms to sash bar.

8

Interior



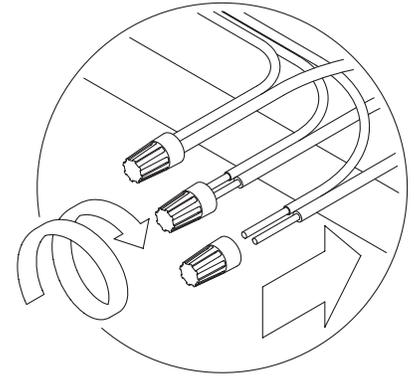
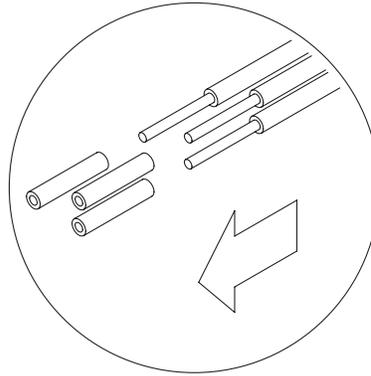
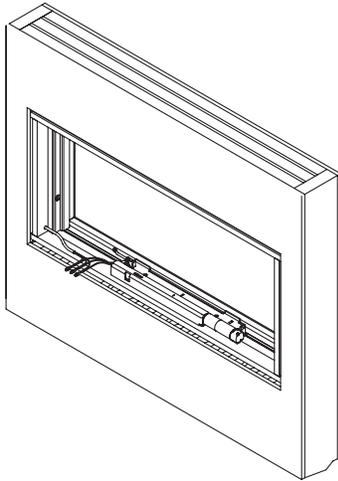
CAUTION / PRECAUCIÓN

Do not over drive screws. Product damage may result.
 No ajuste demasiado los tornillos. El producto se puede dañar.

Fasten electric operator with four (4) screws.
 Fasten electric operator with four (4) screws.

9

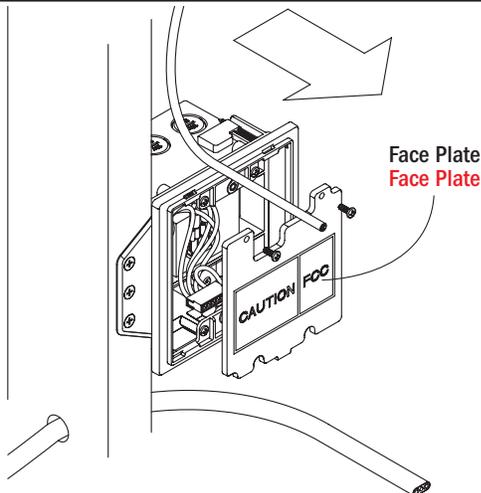
Interior



Strip pigtail wire ends and align same color wires with 18-3 wires and connect with wire nuts. Make sure wire color continuity is maintained.
 Strip pigtail wire ends and align same color wires with 18-3 wires and connect with wire nuts. Make sure wire color continuity is maintained.

10

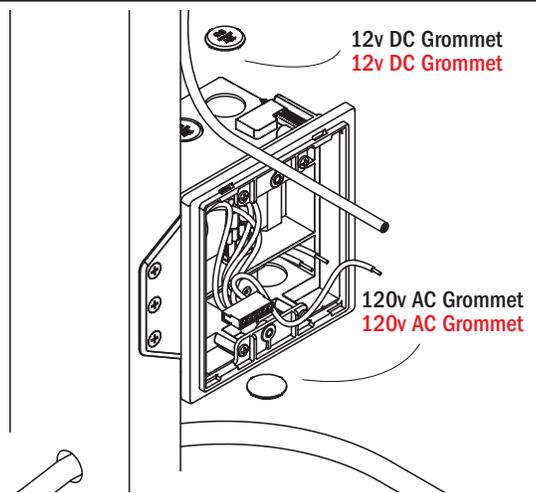
Interior



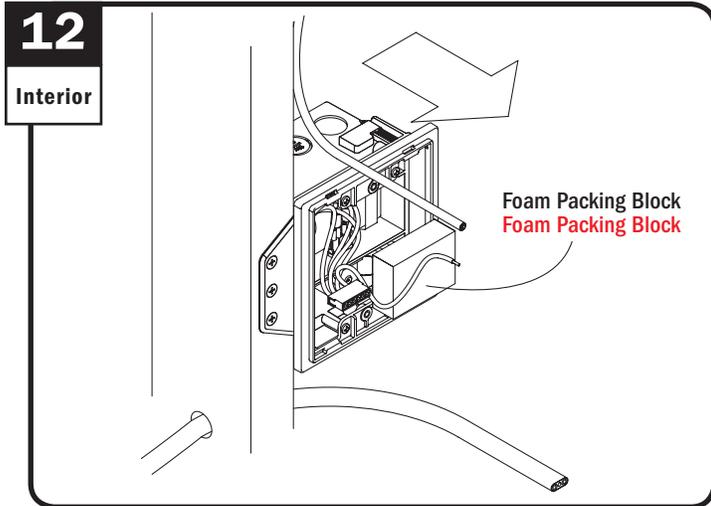
Remove face plate.
 Remove face plate.

11

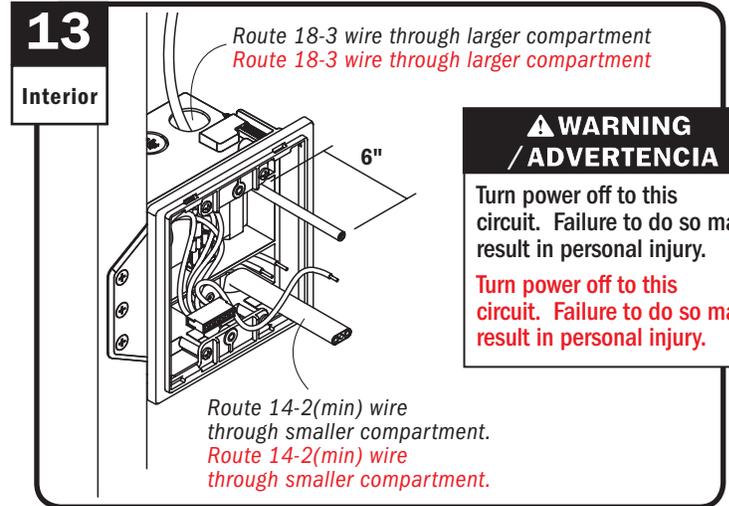
Interior



Remove wiring access hole grommets.
 Remove wiring access hole grommets.

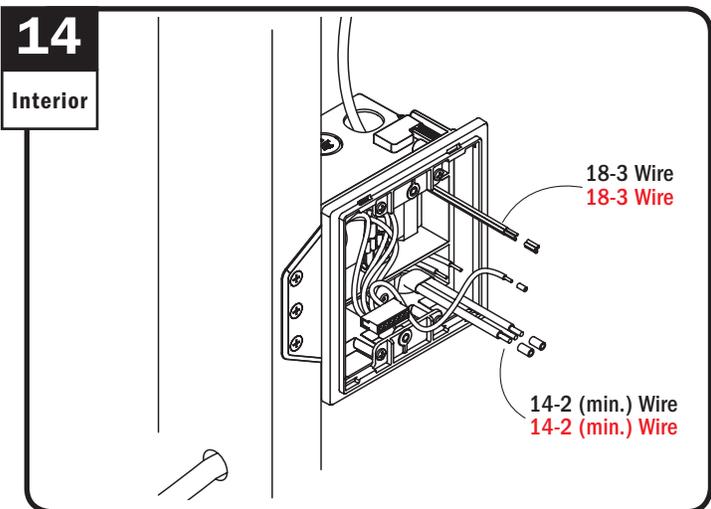


Remove foam packing block.
Remove foam packing block.

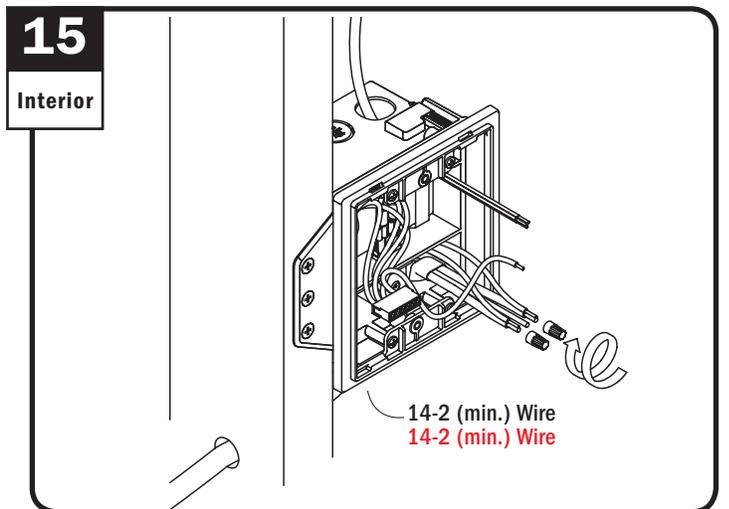


⚠ WARNING / ADVERTENCIA
Turn power off to this circuit. Failure to do so may result in personal injury.
Turn power off to this circuit. Failure to do so may result in personal injury.

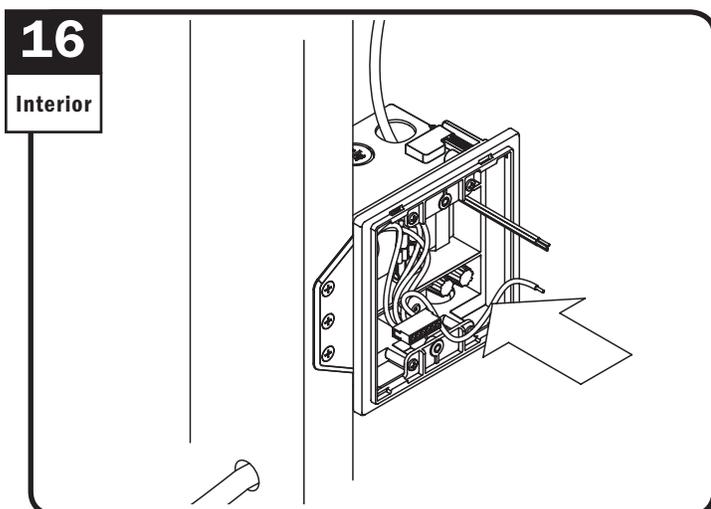
Run 14-2(min) wire into smaller compartment of power box and 18-3 wire into larger compartment of power box. See wiring diagram xxxxx
Run 14-2(min) wire into smaller compartment of power box and 18-3 wire into larger compartment of power box. See wiring diagram at step 6.



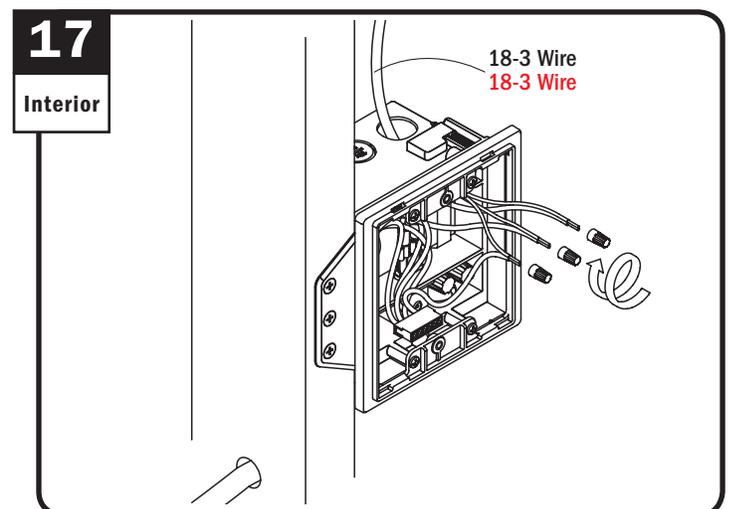
Strip wire ends.
Strip wire ends.



Align 14-2(min.) wires to black and white wires in smaller compartment of power box and connect with wire nuts.
Align 14-2(min.) wires to black and white wires in smaller compartment of power box and connect with wire nuts.



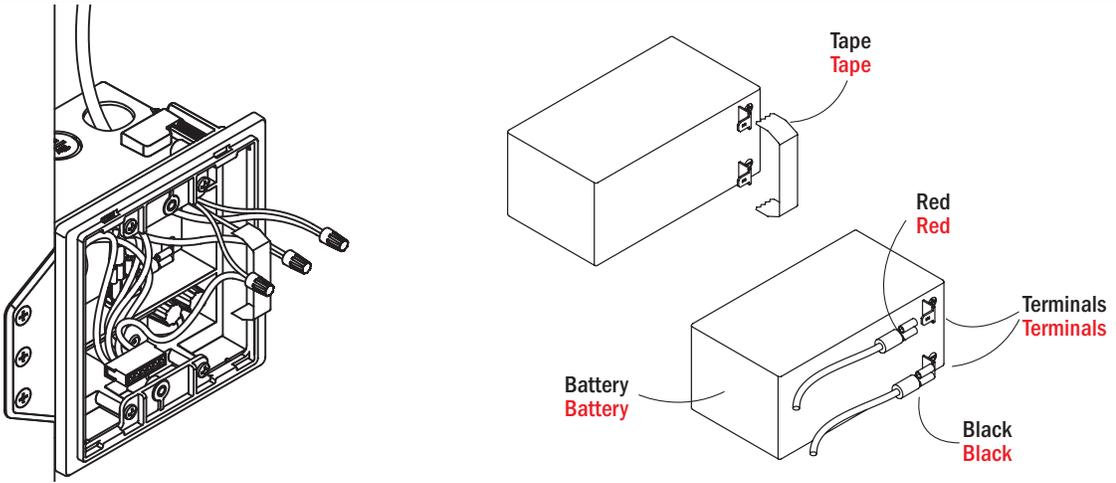
Tuck connected 14-2(min.) wires into small compartment of power box, as shown.
Tuck connected 14-2(min.) wires into small compartment of power box, as shown.



Align color 18-3 wires to same colored wires in larger compartment and connect with wire nuts.
Align color 18-3 wires to same colored wires in larger compartment and connect with wire nuts.

18

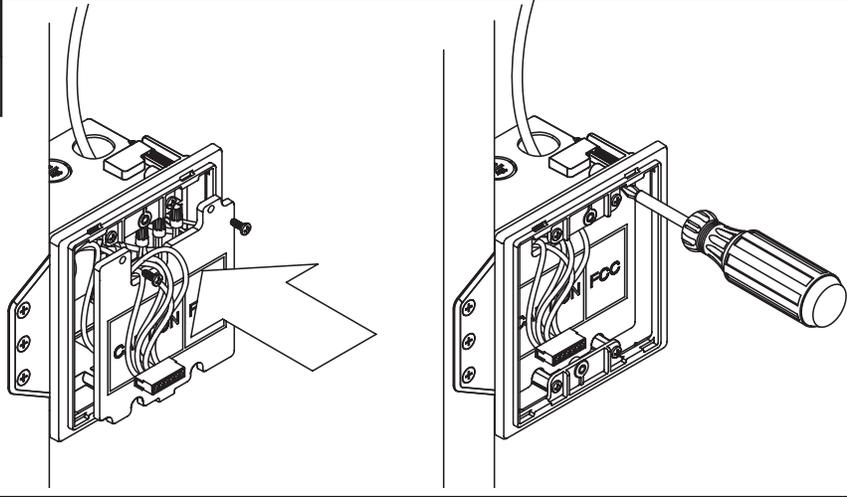
Interior



Remove tape from battery terminals. Align and connect red and black leads to red and black battery terminals.
 Remove tape from battery terminals. Align and connect red and black leads to red and black battery terminals.

19

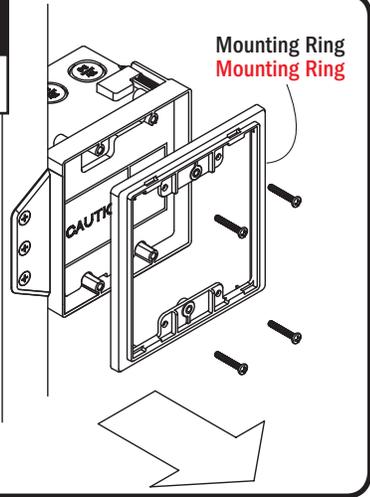
Interior



Tuck connected 18-3 wires into large compartment of power box and reapply faceplate, as shown.
 Tuck connected 18-3 wires into large compartment of power box and reapply faceplate, as shown.

20

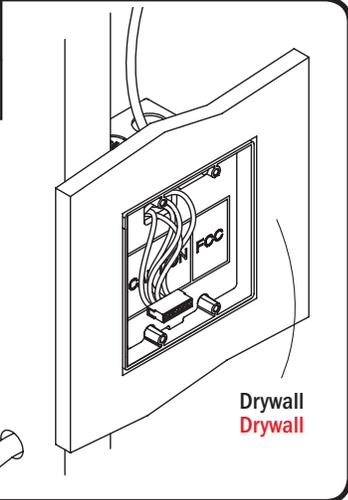
Interior



Remove mounting ring and screws from power box.
 Remove mounting ring and screws from power box.

21

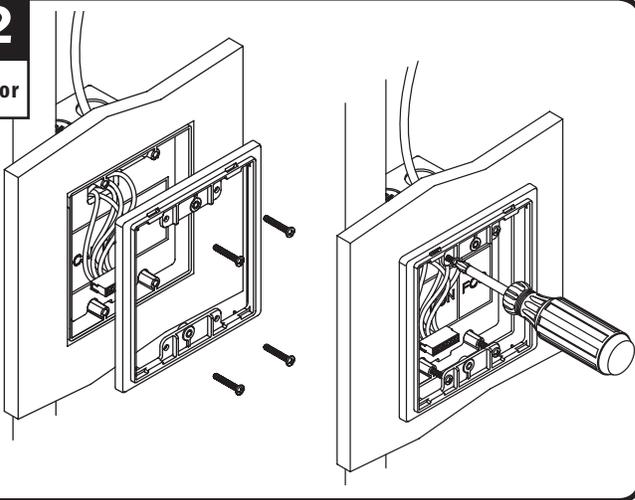
Interior



Install drywall.
 Install drywall.

22

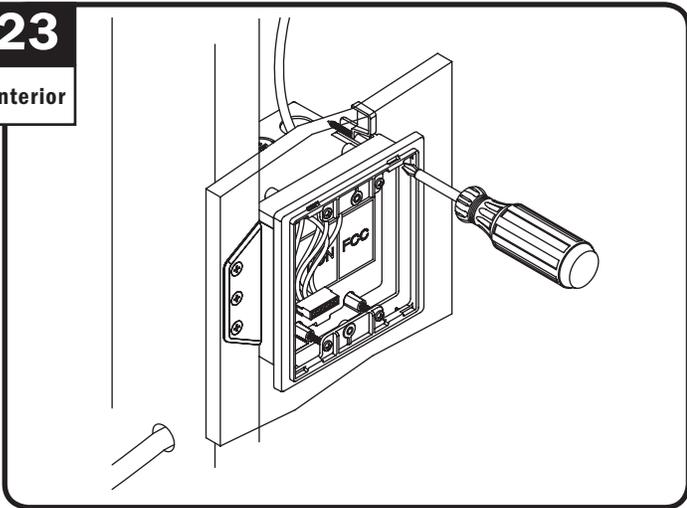
Interior



Reapply mounting ring and fasten with screws.
 Reapply mounting ring and fasten with screws.

23

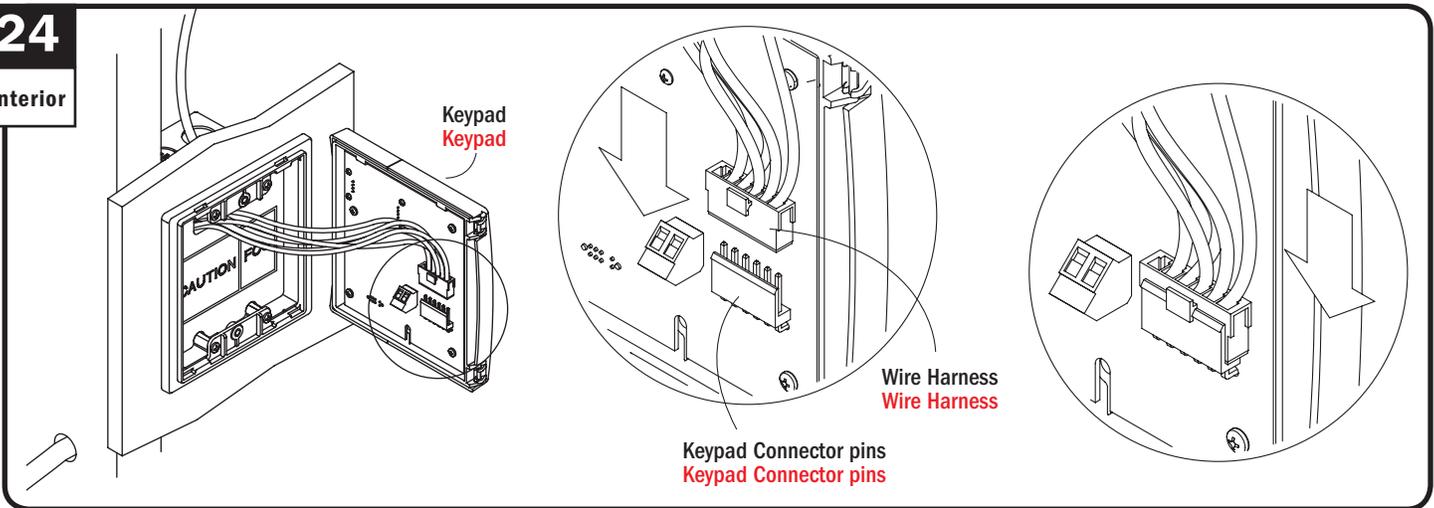
Interior



Fasten remodeling clip.
Fasten remodeling clip.

24

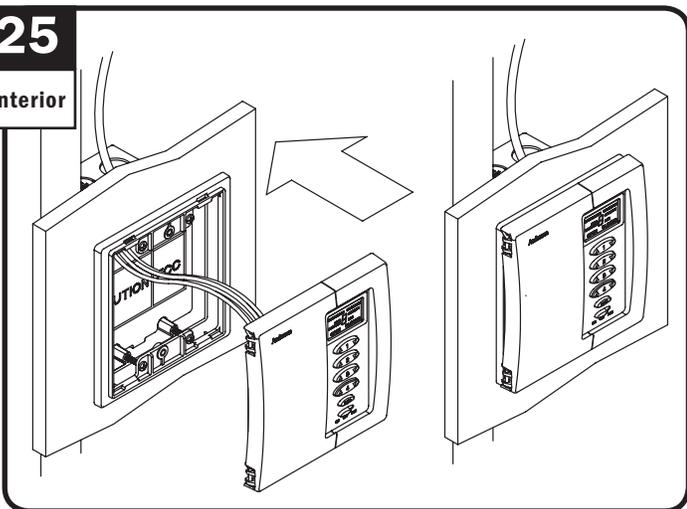
Interior



Fasten wire harness from power box to keypad connector pins.
Fasten wire harness from power box to keypad connector pins.

25

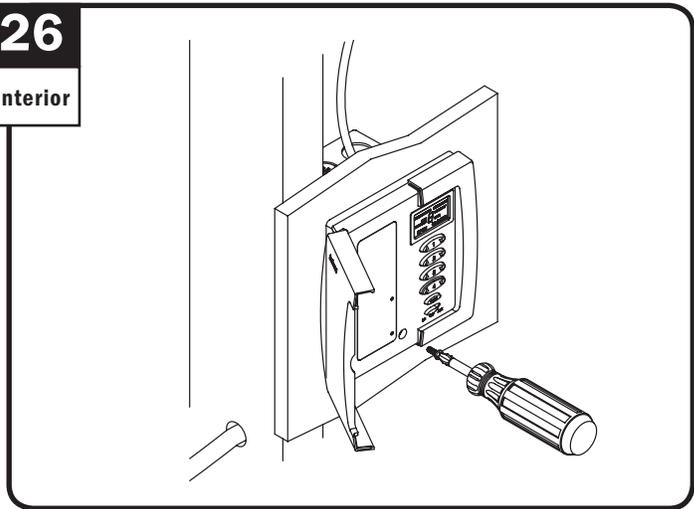
Interior



Position keypad to mounting ring.
Position keypad to mounting ring.

26

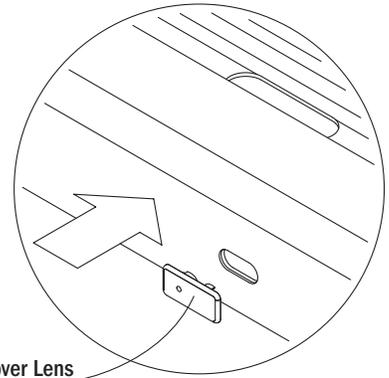
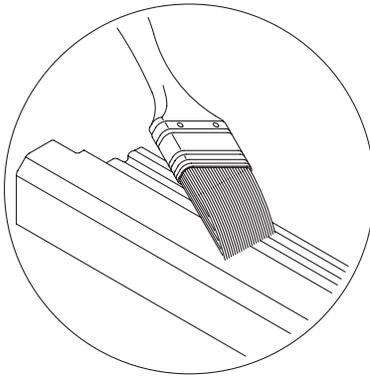
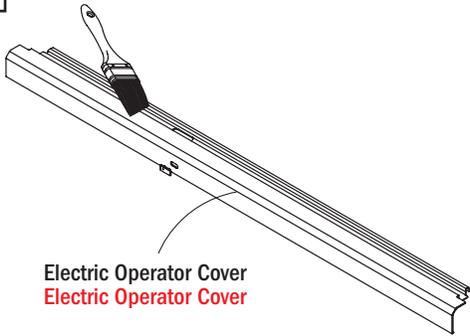
Interior



Open keypad panel and fasten.
Open keypad panel and fasten.

27

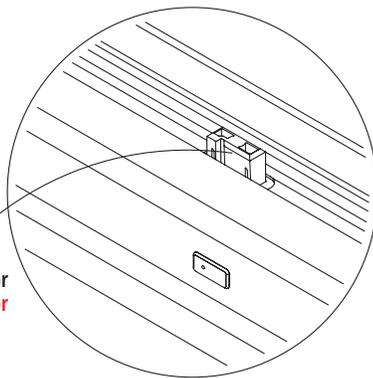
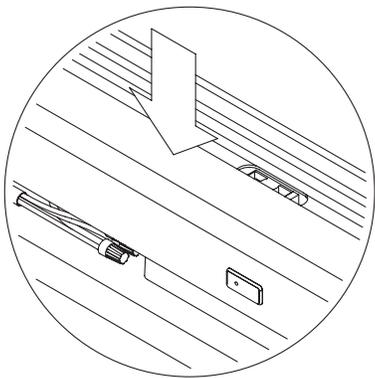
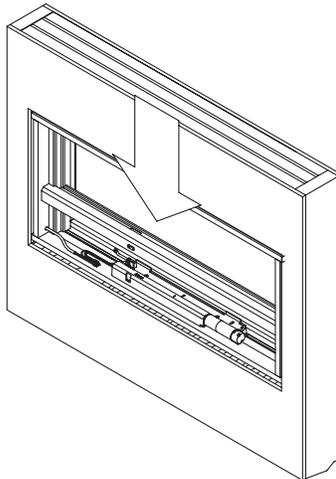
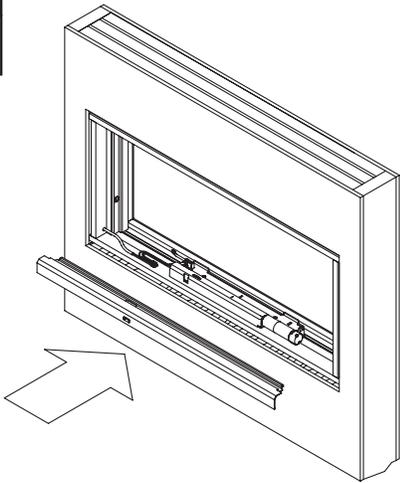
Interior



Apply finish to electric operator cover and snap LED cover lens to cover as shown.
Apply finish to electric operator cover and snap LED cover lens to cover as shown.

28

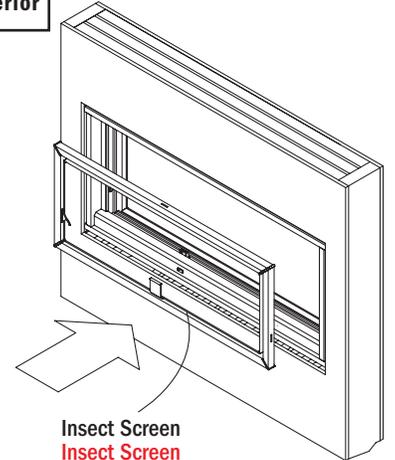
Interior



Rotate slightly and snap sill cover onto motor housing. Screen sensor must pop up through hole in cover.
Rotate slightly and snap sill cover onto motor housing. Screen sensor must pop up through hole in cover.

29

Interior



Install insect screen. Insect screen must be in place for electric operator motor to operate.
Install insect screen. Insect screen must be in place for electric operator motor to operate.

► Power window control system installation for new construction is complete.

Power window control system installation for new construction is complete.

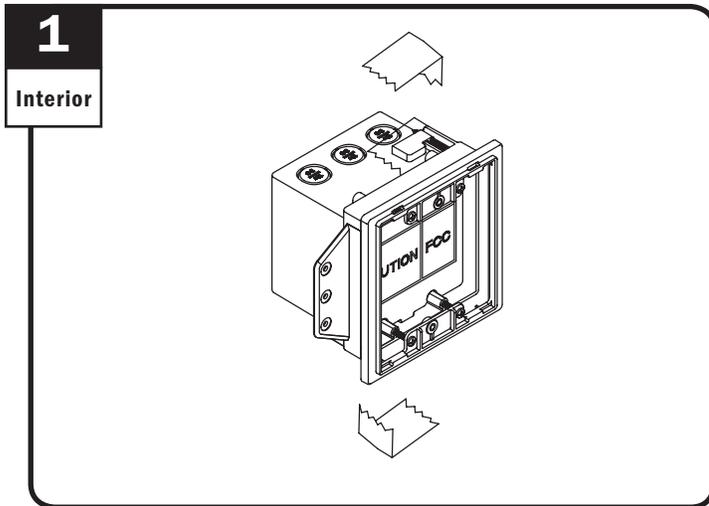
Power Window Control System Installation (Existing Construction)

Power Window Control System Installation (Existing Construction)

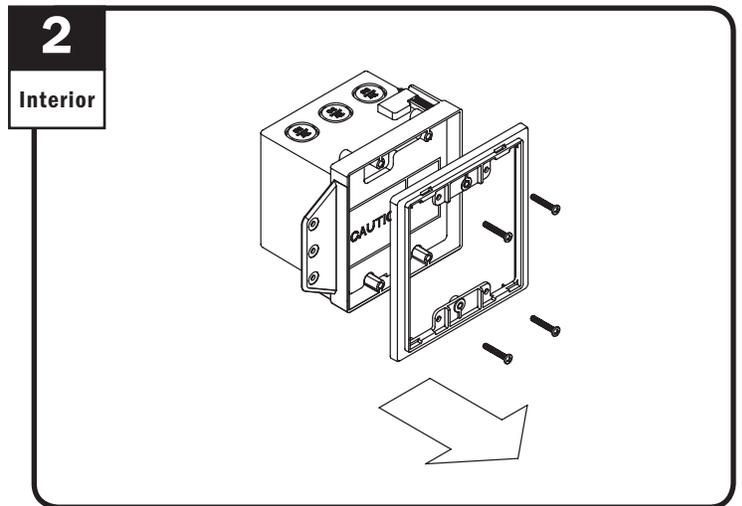
- ▶ See wiring diagram for proper wire configuration prior to starting
- ▶ See wiring diagram for proper wire configuration prior to starting

⚠ WARNING / ADVERTENCIA

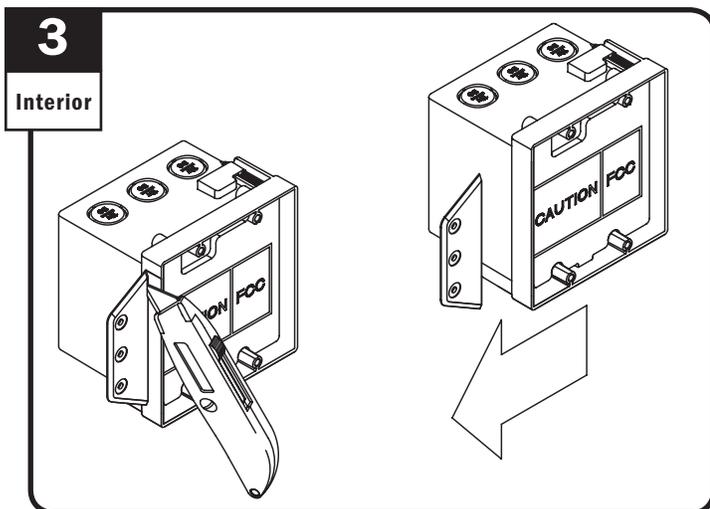
XX



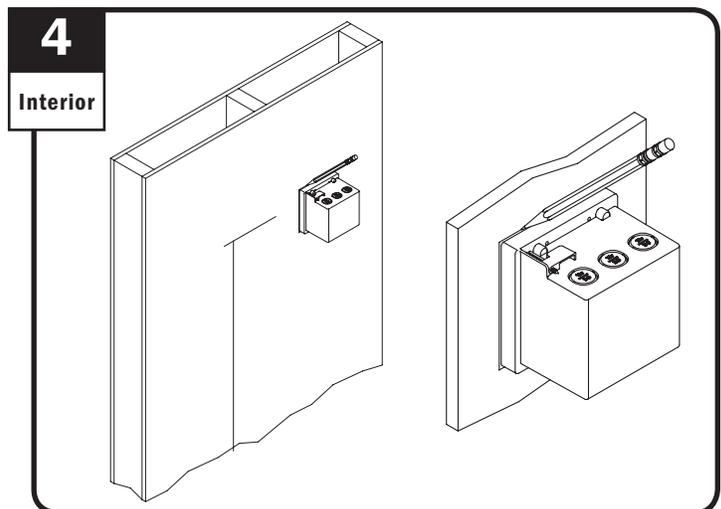
Remove tape.
Remove tape.



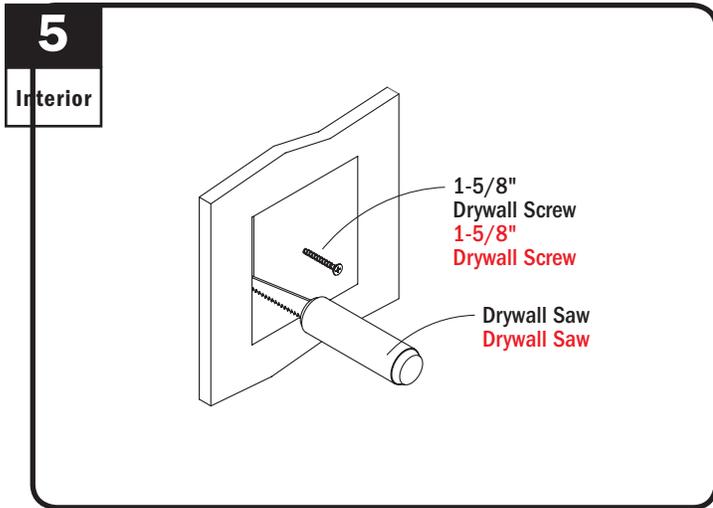
Remove mounting ring and screws from power box.
Remove mounting ring and screws from power box.



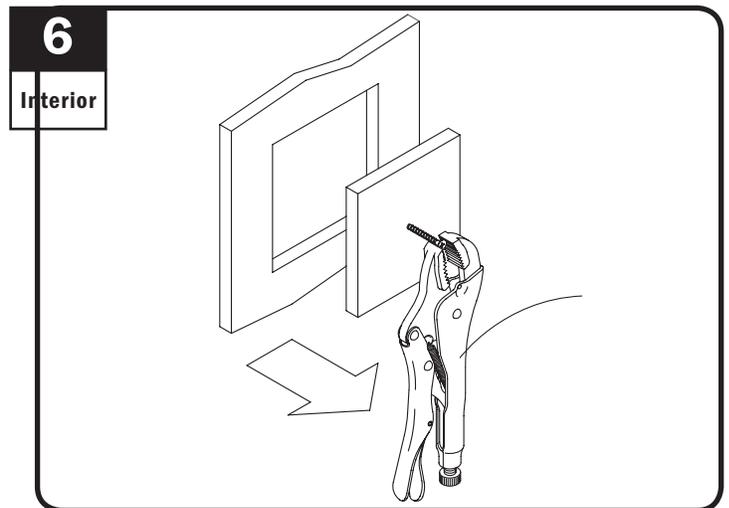
Remove attachment tab.
Remove attachment tab.



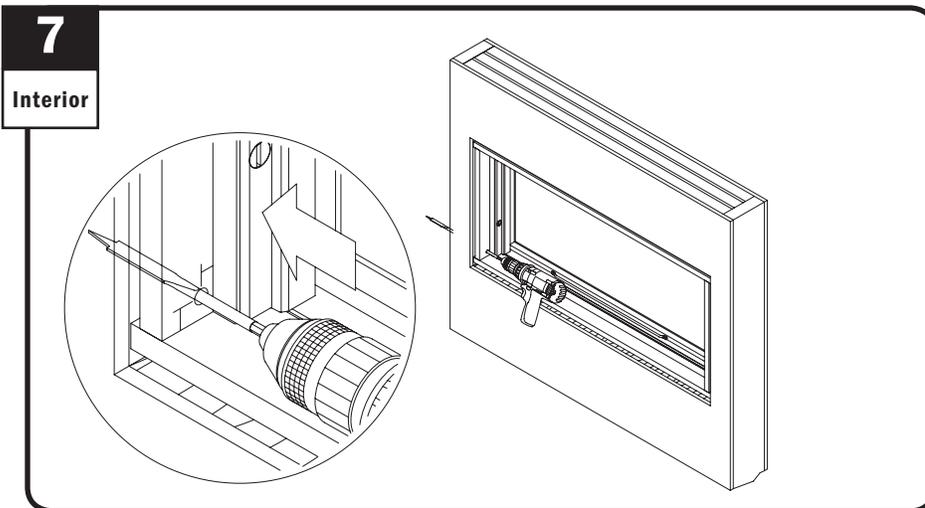
Locate power box at eye-level within 50 feet of window. Trace face of power box on wall.
Locate power box at eye-level within 50 feet of window. Trace face of power box on wall.



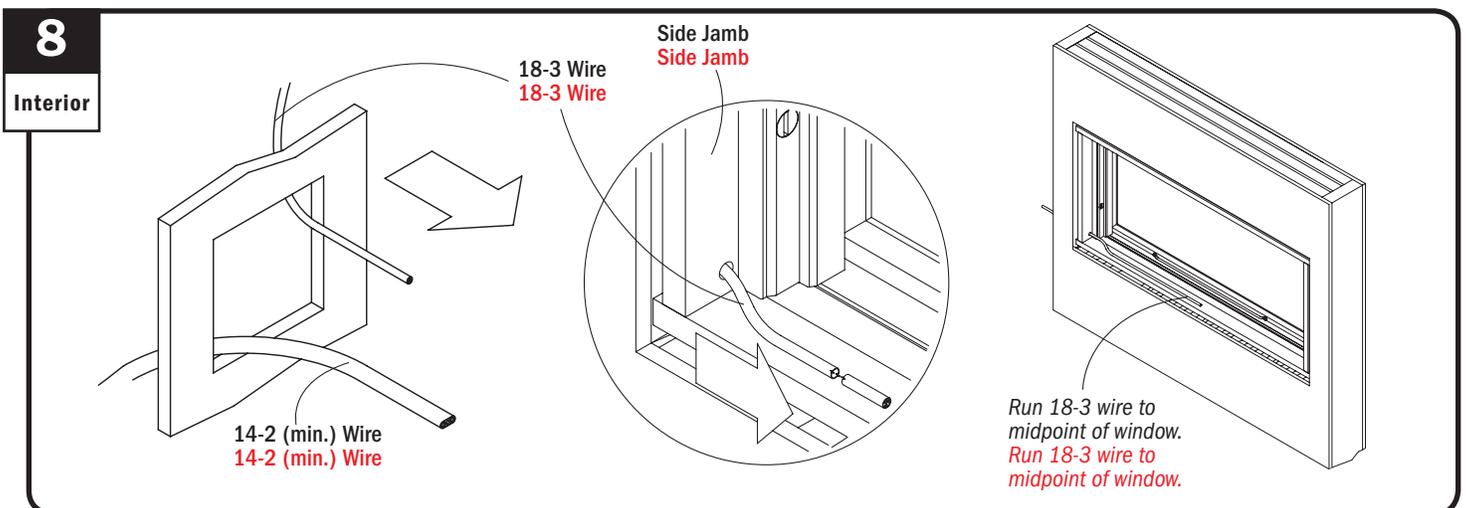
Attach screw and cut drywall on traced line.
Attach screw and cut drywall.



Remove cut drywall.
Remove cut drywall.



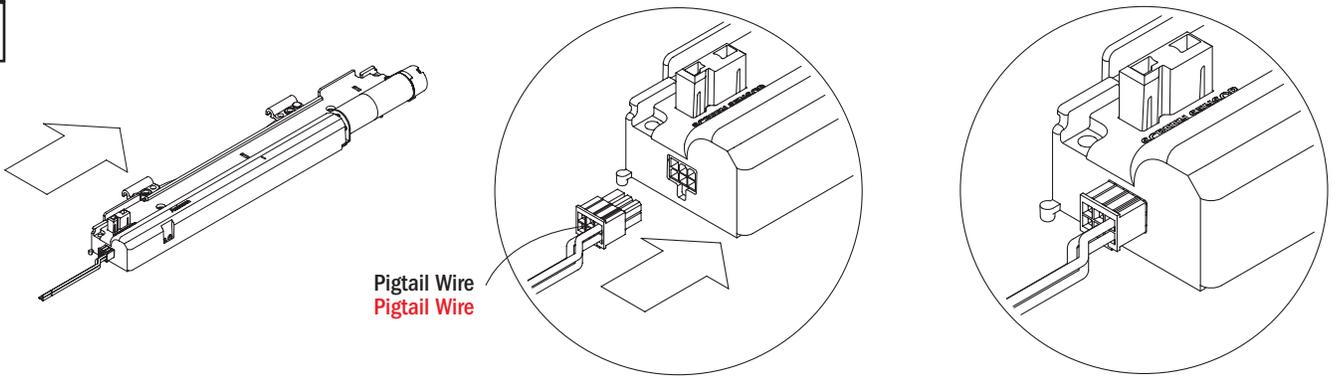
Drill 3/8" hole through side extension jamb as shown.
Drill 3/8" hole through side extension jamb as shown.



Run 18-3 wire through side jamb between power box and awning window(s) and run 14-2 (min.) wire to power box location.
Run 18-3 wire through side jamb between power box and awning window(s) and run 14-2 (min.) wire to power box location.

9

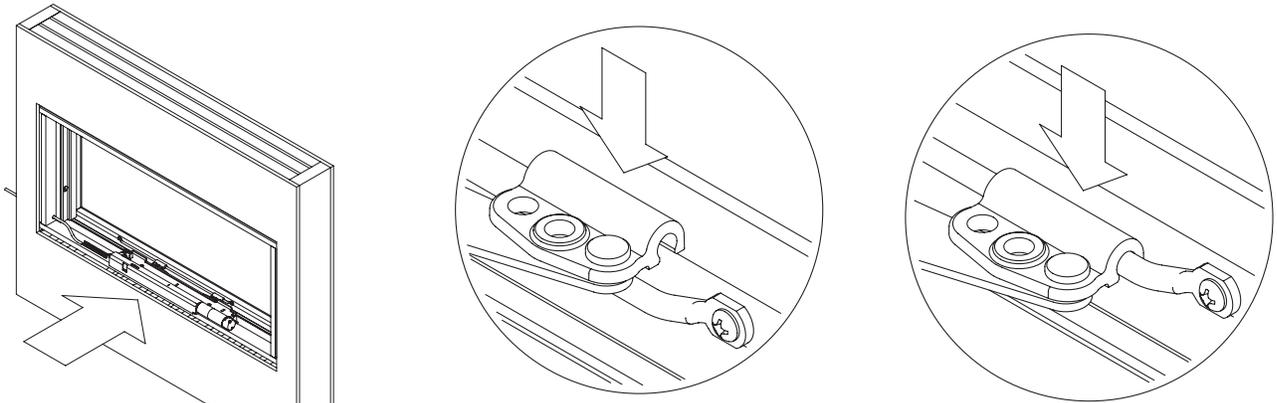
Interior



Plug pigtail wire into electric operator.
 Plug pigtail wire into electric operator.

10

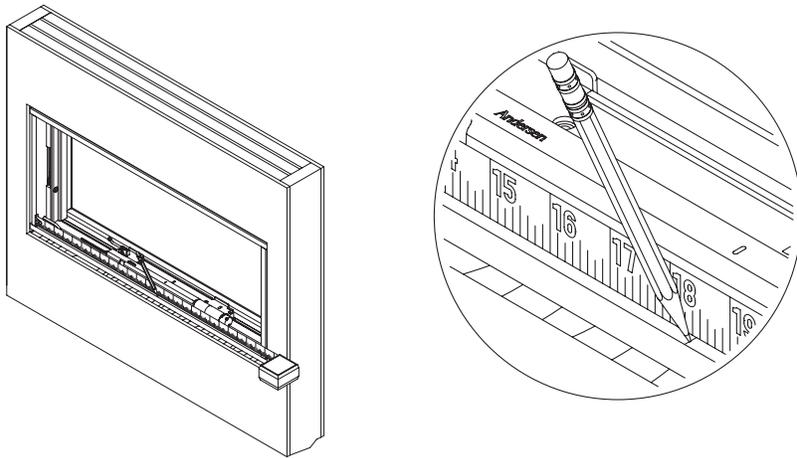
Interior



Position electric operator. Attach electric operator arms to sash bar.
 Position electric operator. Attach electric operator arms to sash bar.

11

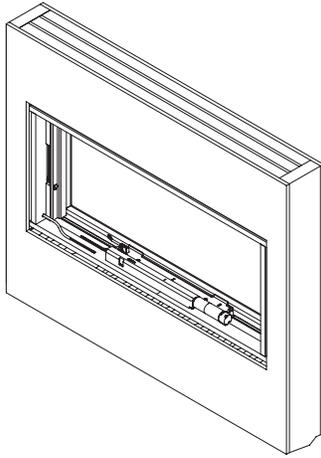
Interior



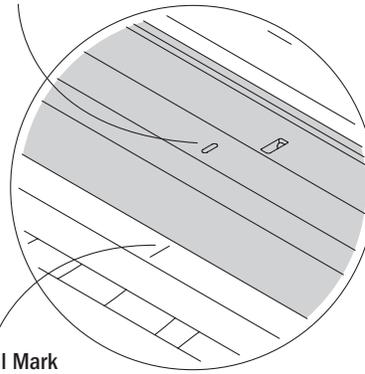
Measure and mark center of sill.
 Measure and mark center of sill.

12

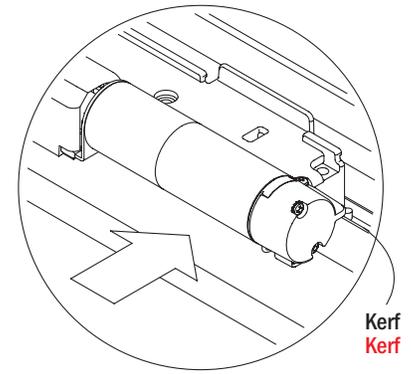
Interior



Center of Electric Operator
Center of Electric Operator



Pencil Mark
Pencil Mark

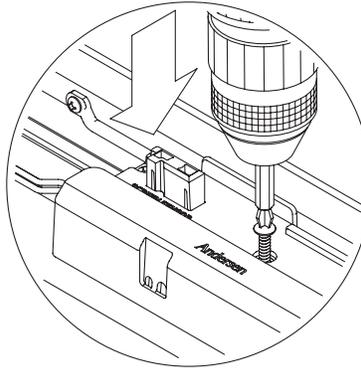
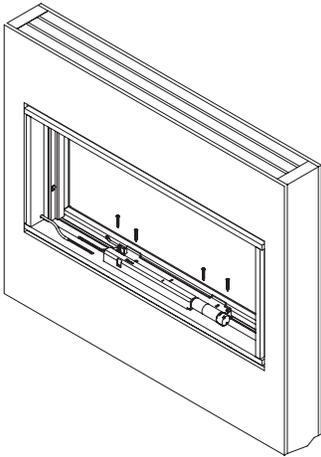


Kerf
Kerf

Position center of electric operator at marked line on sill with operator tabs in locating kerf.
Position center of electric operator at marked line on sill with operator tabs in locating kerf.

13

Interior



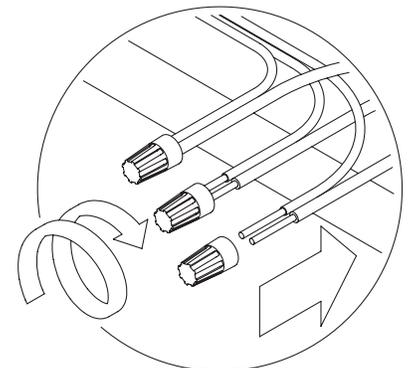
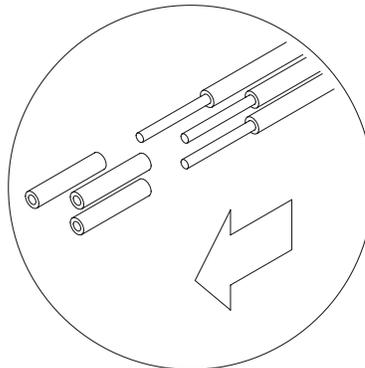
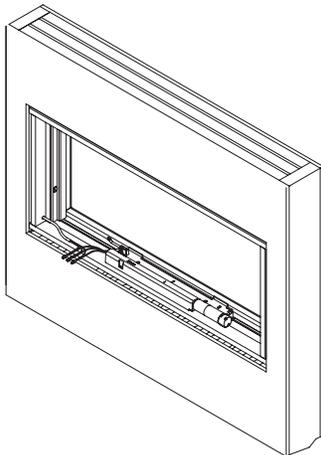
CAUTION / PRECAUCIÓN

Do not over drive screws. Product damage may result.
No ajuste demasiado los tornillos. El producto se puede dañar.

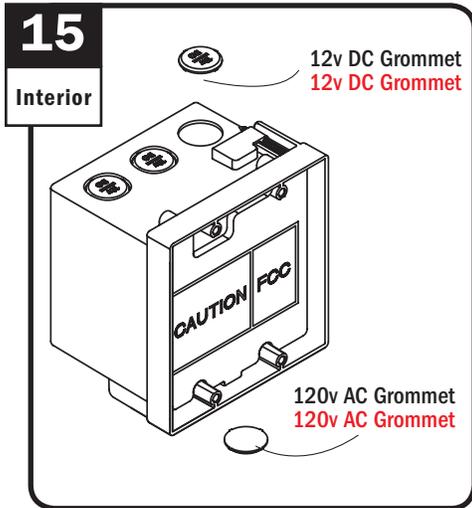
Fasten electric operator with four (4) screws.
Fasten electric operator with four (4) screws.

14

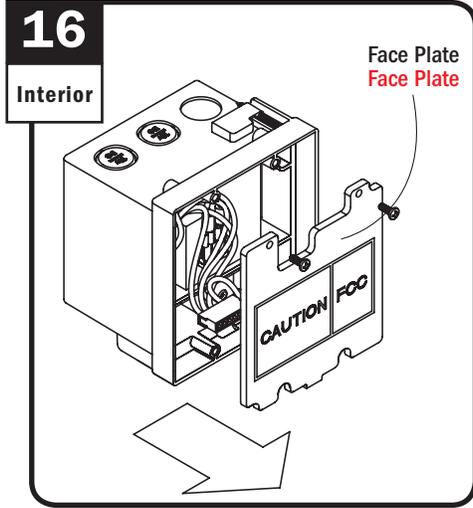
Interior



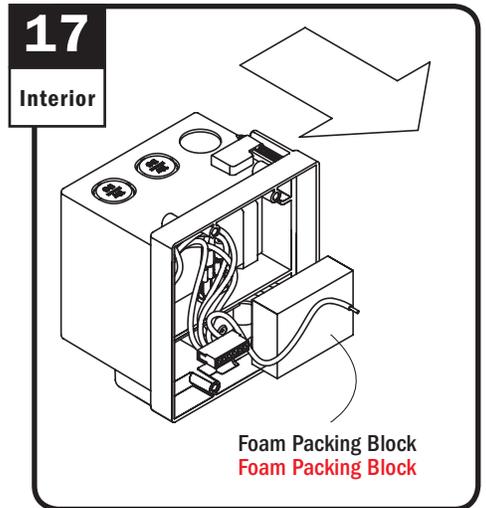
Strip pigtail wire ends and align same color wires with 18-3 wires and connect with wire nuts. Make sure wire color continuity is maintained.
Strip pigtail wire ends and align same color wires with 18-3 wires and connect with wire nuts. Make sure wire color continuity is maintained.



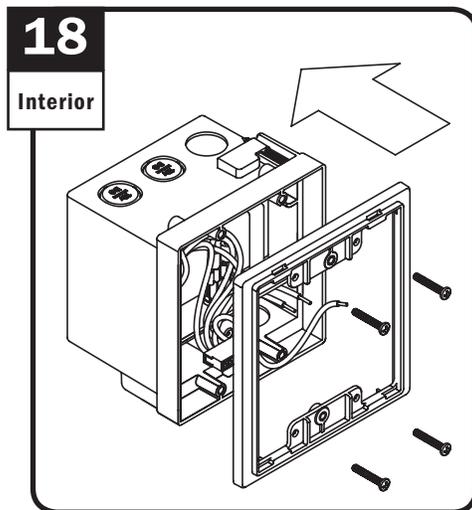
Remove wiring access hole grommets.
Remove wiring access hole grommets.



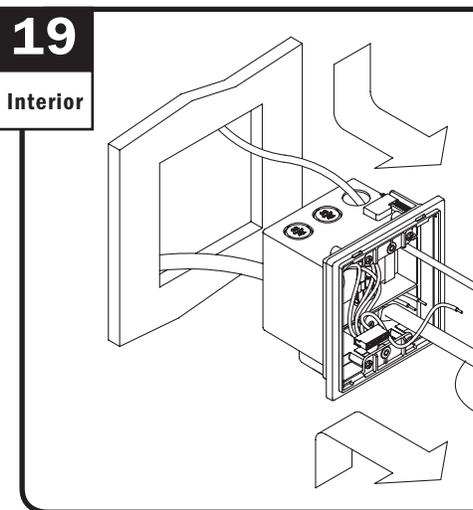
Remove faceplate.
Remove faceplate.



Remove foam packing block.
Remove foam packing block.



Reapply mounting ring and fasten with screws.
Reapply mounting ring and fasten with screws.

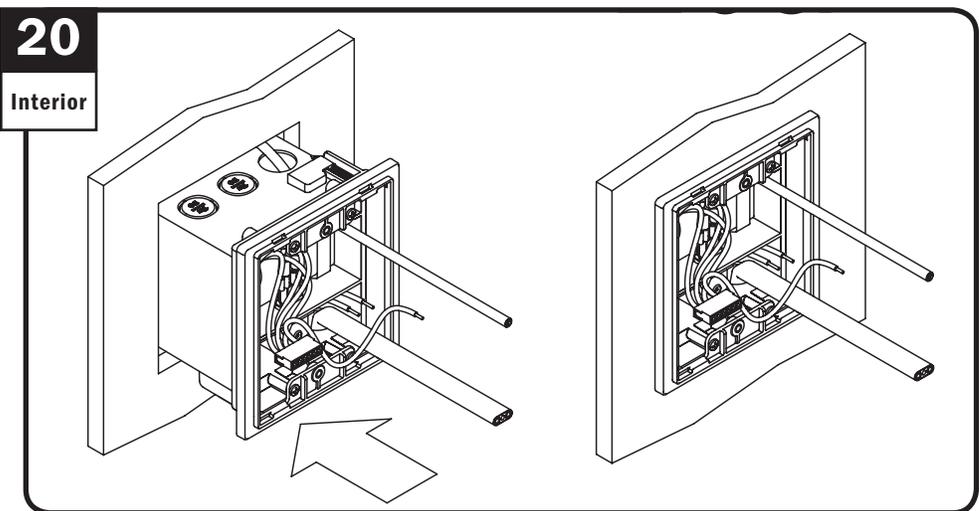


Run 14-2(min) wire into smaller compartment of power box and 18-3 wire into larger compartment of power box. See wiring diagram xxxxx
Run 14-2(min) wire into smaller compartment of power box and 18-3 wire into larger compartment of power box. See wiring diagram at step 6.

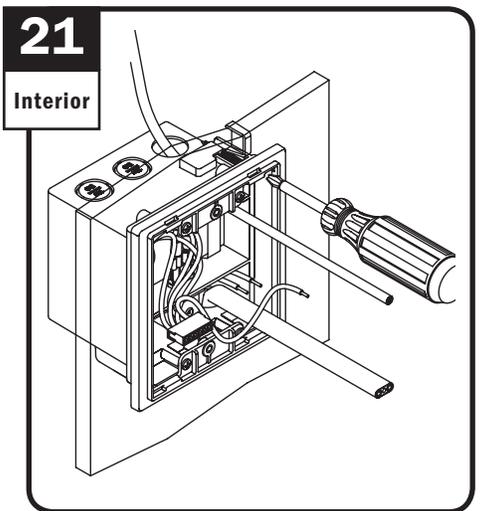
⚠ WARNING / ADVERTENCIA
Turn power off to this circuit. Failure to do so may result in personal injury.
Turn power off to this circuit. Failure to do so may result in personal injury.

Route 18-3 wire through larger compartment
Route 18-3 wire through larger compartment

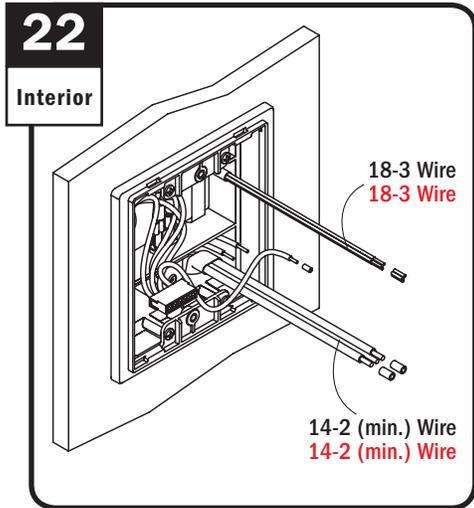
Route 14-2(min) wire through smaller compartment.
Route 14-2(min) wire through smaller compartment.



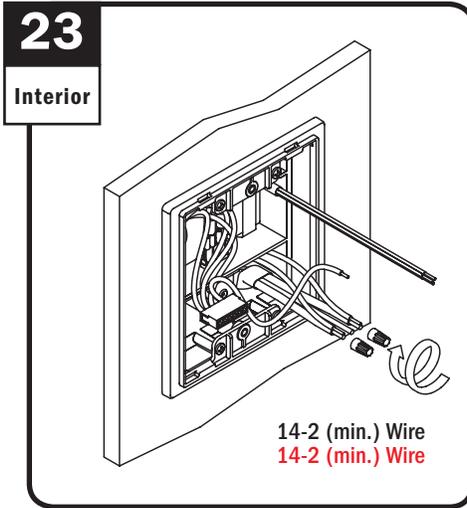
Position power box into cut out area in wall.



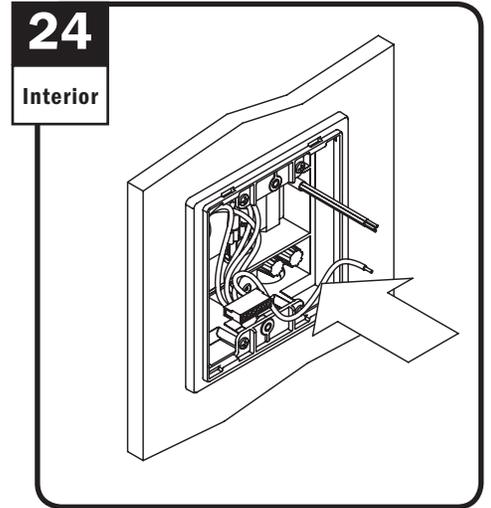
Fasten remodeling clip.
Fasten remodeling clip.



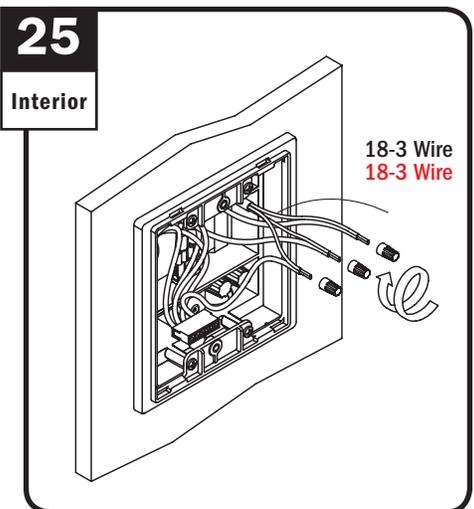
Strip wire ends.
Strip wire ends.



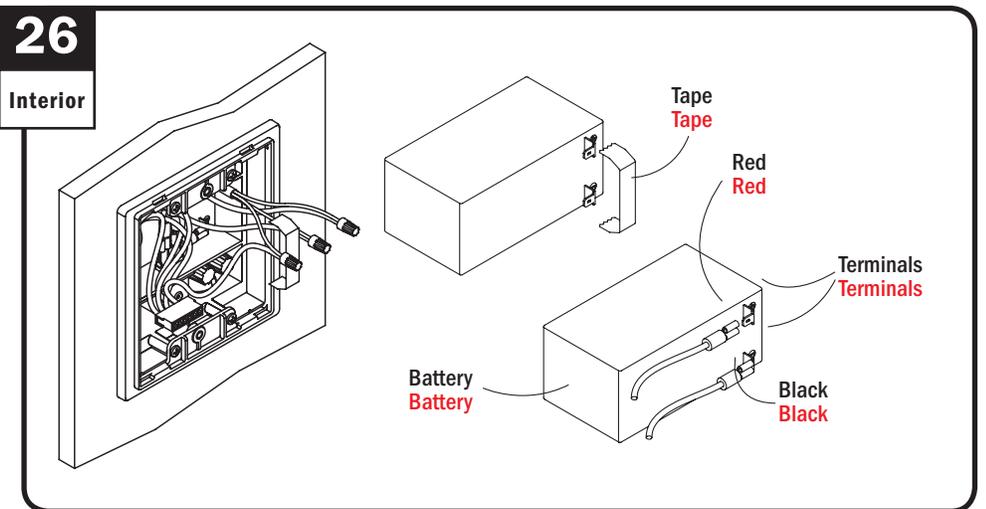
Align 14-2(min.) wires to black and white wires in smaller compartment of power box and connect with wire nuts.
Align 14-2(min.) wires to black and white wires in smaller compartment of power box and connect with wire nuts.



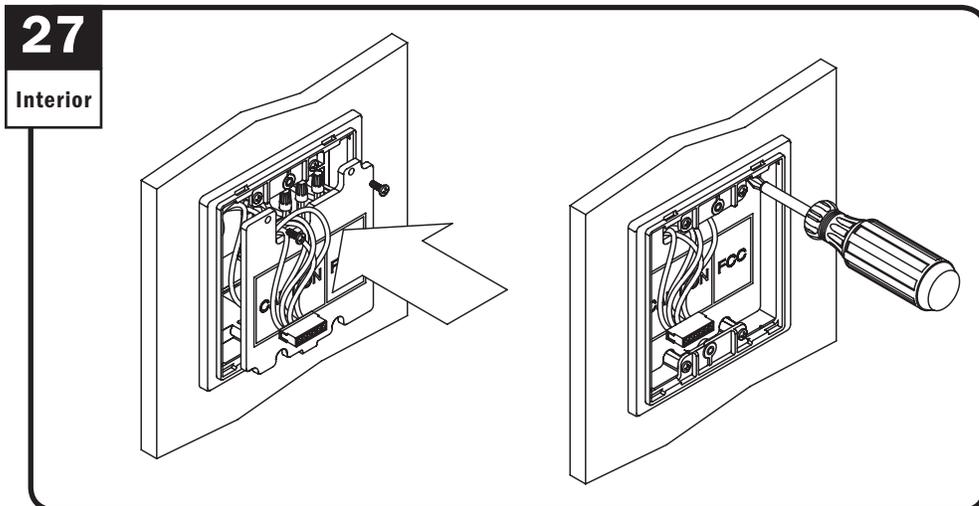
Tuck connected 14-2(min.) wires into small compartment of power box, as shown.
Tuck connected 14-2(min.) wires into small compartment of power box, as shown.



Align color 18-3 wires to same colored wires in larger compartment and connect with wire nuts.
Align color 18-3 wires to same colored wires in larger compartment and connect with wire nuts.



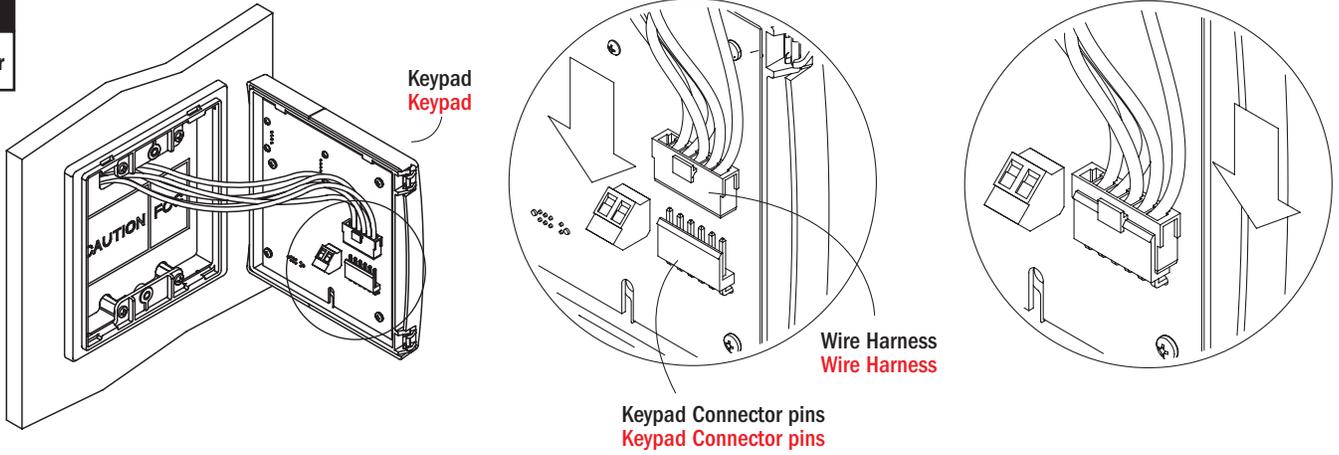
Remove tape from battery terminals. Align and connect red and black leads to red and black battery terminals.
Remove tape from battery terminals. Align and connect red and black leads to red and black battery terminals.



Tuck connected 18-3 wires into large compartment of power box and reapply faceplate, as shown.
Tuck connected 18-3 wires into large compartment of power box and reapply faceplate, as shown.

28

Interior



Keypad
Keypad

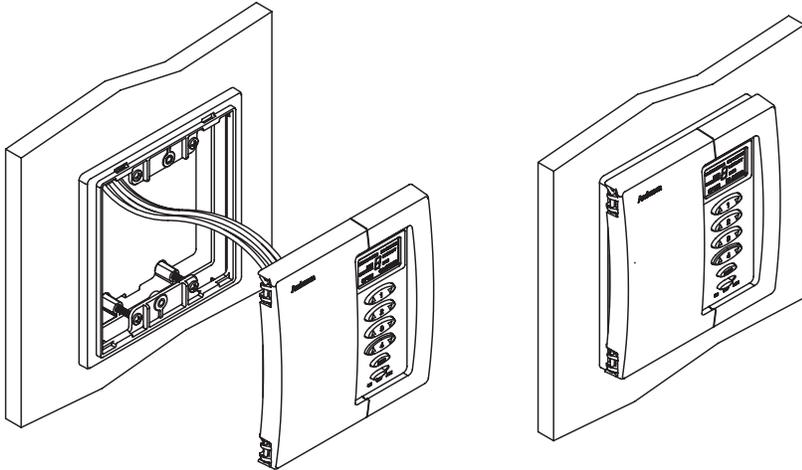
Wire Harness
Wire Harness

Keypad Connector pins
Keypad Connector pins

Fasten wire harness from power box to keypad connector pins.
Fasten wire harness from power box to keypad connector pins.

29

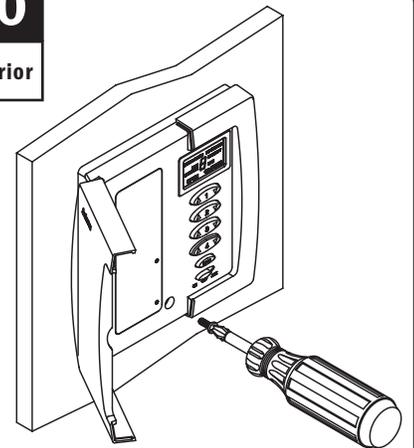
Interior



Position keypad to mounting ring.
Position keypad to mounting ring.

30

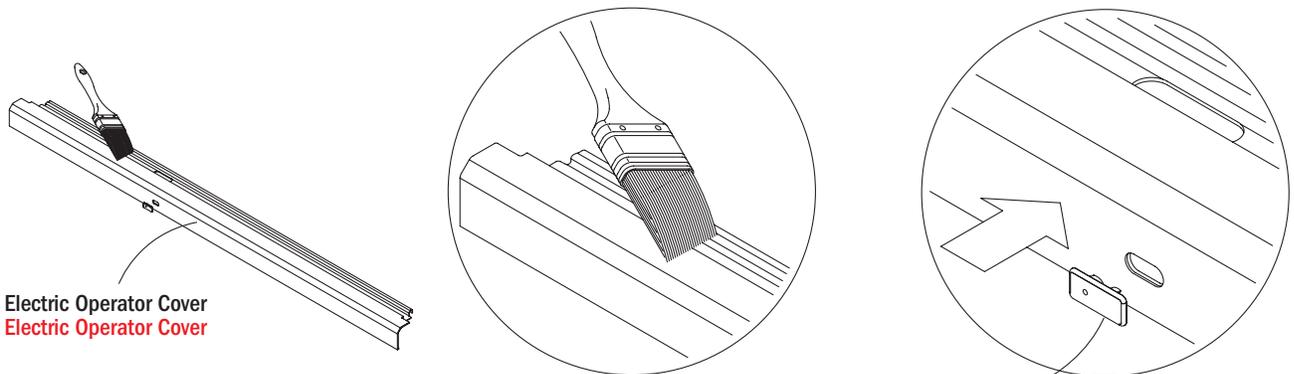
Interior



Open keypad panel and fasten.
Open keypad panel and fasten.

31

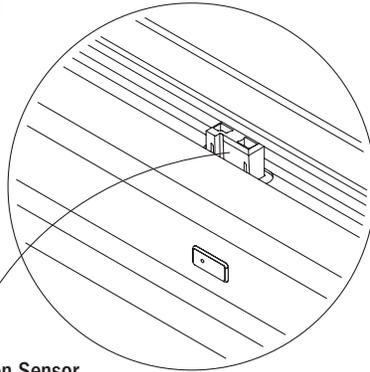
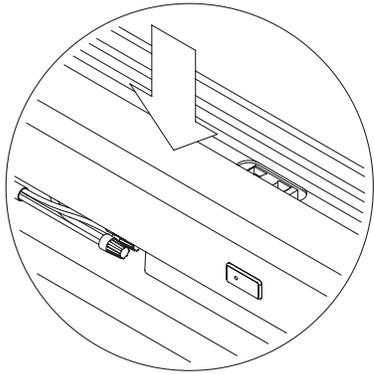
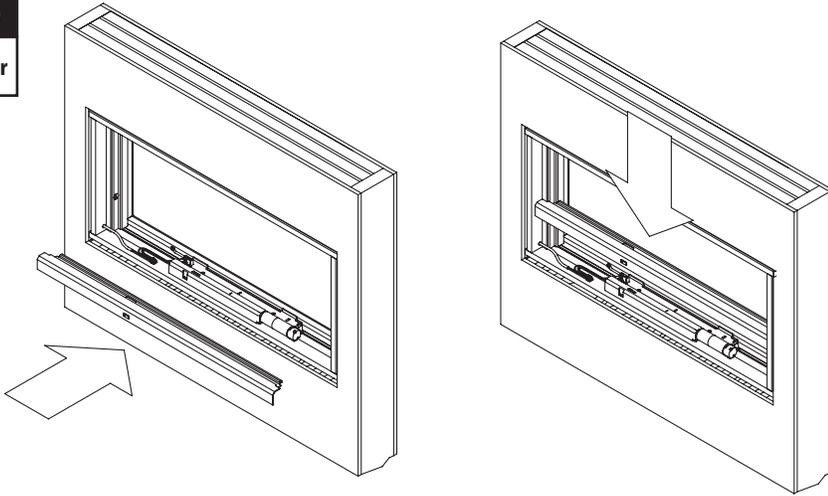
Interior



Electric Operator Cover
Electric Operator Cover

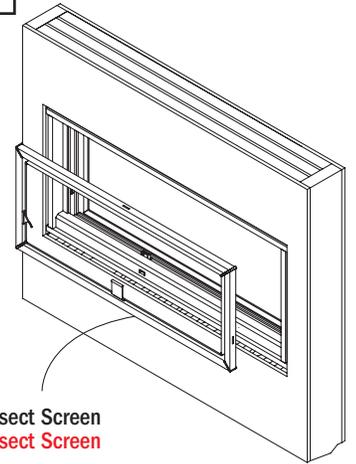
LED Cover Lens
LED Cover Lens

Apply finish to electric operator cover and snap LED cover lens to cover as shown.
Apply finish to electric operator cover and snap LED cover lens to cover as shown.

32**Interior**

Insect Screen Sensor
Insect Screen Sensor

Rotate slightly and snap sill cover onto motor housing. Screen sensor must pop up through hole in cover.
 Rotate slightly and snap sill cover onto motor housing. Screen sensor must pop up through hole in cover.

33**Interior**

Insect Screen
Insect Screen

Install insect screen. Insect screen must be in place for electric operator motor to operate.
 Install insect screen. Insect screen must be in place for electric operator motor to operate.

- ▶ Power window control system installation in existing construction is complete.
- ▶ Power window control system installation in existing construction is complete.

Power Window Control System Console and Remote Control Operation and Programming

Power Window Control System Console and Remote Control Operation and Programming

for Andersen® Awning Windows with Power Windows
for Andersen® Awning Windows with Power Windows

Thank you for choosing Andersen. / Gracias por elegir Andersen.

For questions call 1-888-888-7020. For more information visit www.andersen.com.

Please leave this guide with building owner.

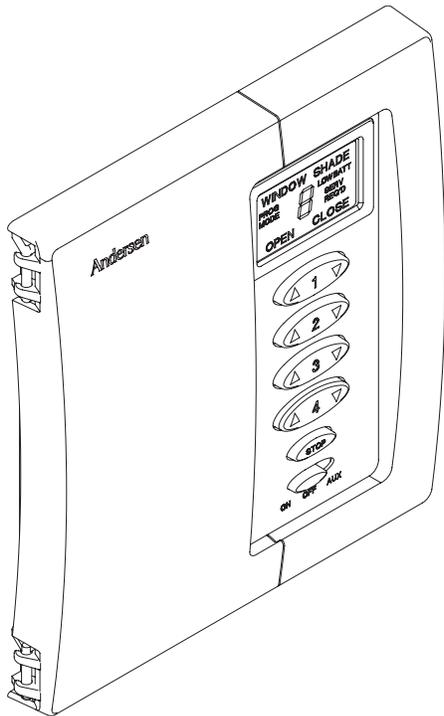
Si tiene alguna pregunta llame al 1-888-888-7020. Para más información visite www.andersen.com.

Deje esta guía con el dueño de la construcción.

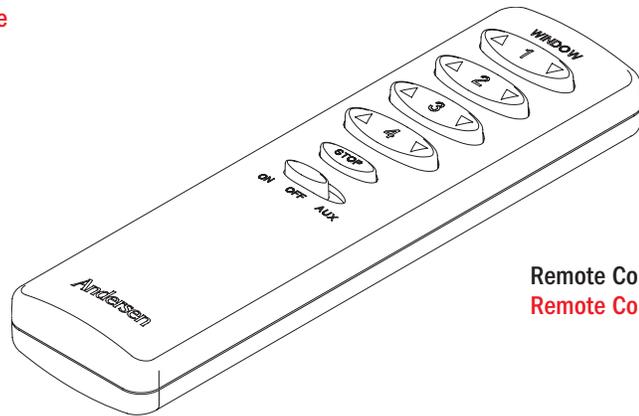
**THIS DOCUMENT IS UNDER CONSTRUCTION
DO NOT PRINT, PUBLISH, OR DISTRIBUTE**



- ▶ **Read guide from beginning to end before starting installation. Read all warnings and cautions during unit installation.**
Lea completamente la guía antes de comenzar la instalación. Lea y respete todas las advertencias y precauciones durante la instalación de la unidad.
- ▶ **Check with your local building code official to identify and confirm compliance with local building code requirements.**
Consulte los códigos locales de construcción para identificar y confirmar que se cumplan los requisitos del código de construcción.



Console
Console



Remote Control
Remote Control

- ▶ **For console programming, see page 21.**
- ▶ **For console programming, see page 21.**
- ▶ **For remote control programming, see page 23.**
- ▶ **For remote control programming, see page 23.**

⚠ WARNING / ADVERTENCIA

Use caution when working at elevated heights and around unit openings. Follow manufacturers' instructions for ladders and/or scaffolding. Failure to do so may result in injury or death.

Sea cauteloso al trabajar en lugares elevados y cerca de las aberturas de la unidad. Siga las instrucciones del fabricante para el uso de escaleras y/o andamios. Si no lo hiciera, podrían producirse lesiones o la muerte.

⚠ WARNING / ADVERTENCIA

Follow manufacturers' instructions for hand or power tools. Always wear safety glasses. Failure to do so may result in injury and/or product damage.

Siga las instrucciones del fabricante para el uso de herramientas eléctricas o manuales. Utilice siempre gafas de seguridad. Si no lo hiciera, podrían producirse lesiones y/o daños al producto.

Power Window Control System Programming Procedure (Console)

Power Window Control System Programming Procedure (Console)

- ▶ XXX
- ▶ XXX

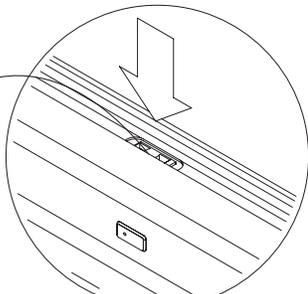
⚠ WARNING / ADVERTENCIA

XX

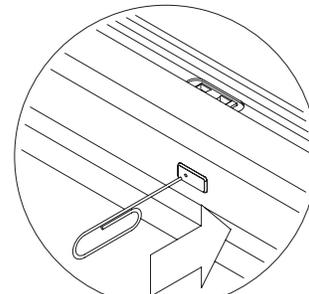
1

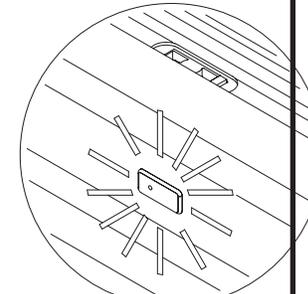
Interior

If insect screen is not present, screen sensor must be depressed for electric operator motor to operate.
If insect screen is not present, screen sensor must be depressed for electric operator motor to operate.

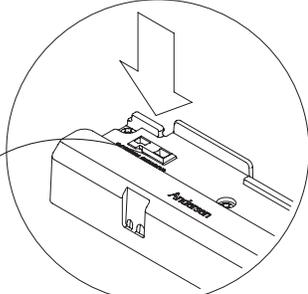


Insect Screen Sensor
Insect Screen Sensor

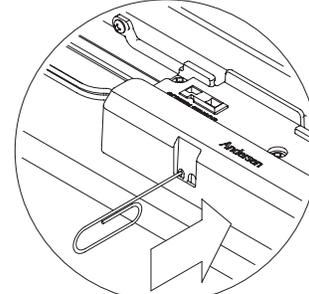


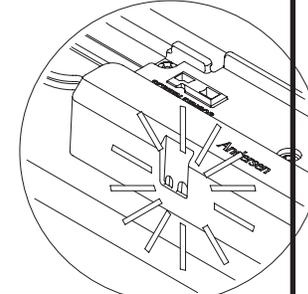


With Operator Cover in Place/ With Operator Cover in Place



Insect Screen Sensor
Insect Screen Sensor

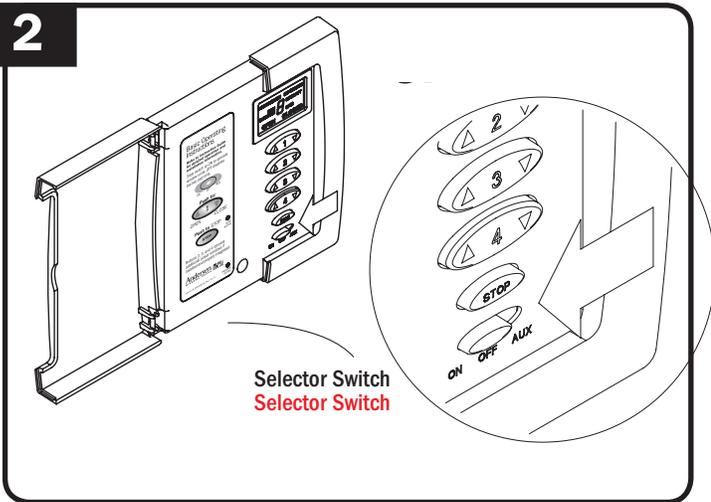




Without Operator Cover in Place/ Without Operator Cover in Place

Press and hold a paper clip into the window program button on the electric operator cover until red LED starts blinking.
 Press and hold a paper clip into the window program button on the electric operator cover until red LED starts blinking.

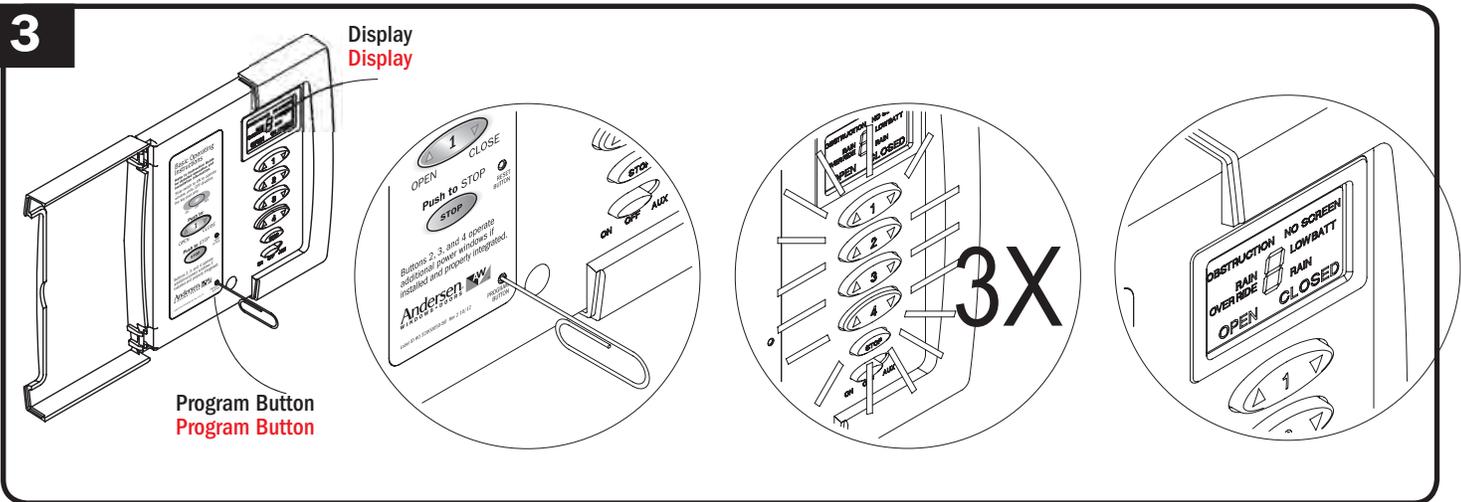
2



Selector Switch
Selector Switch

Move selector switch on key pad to "ON" position.
Move selector switch on key pad to "ON" position.

3

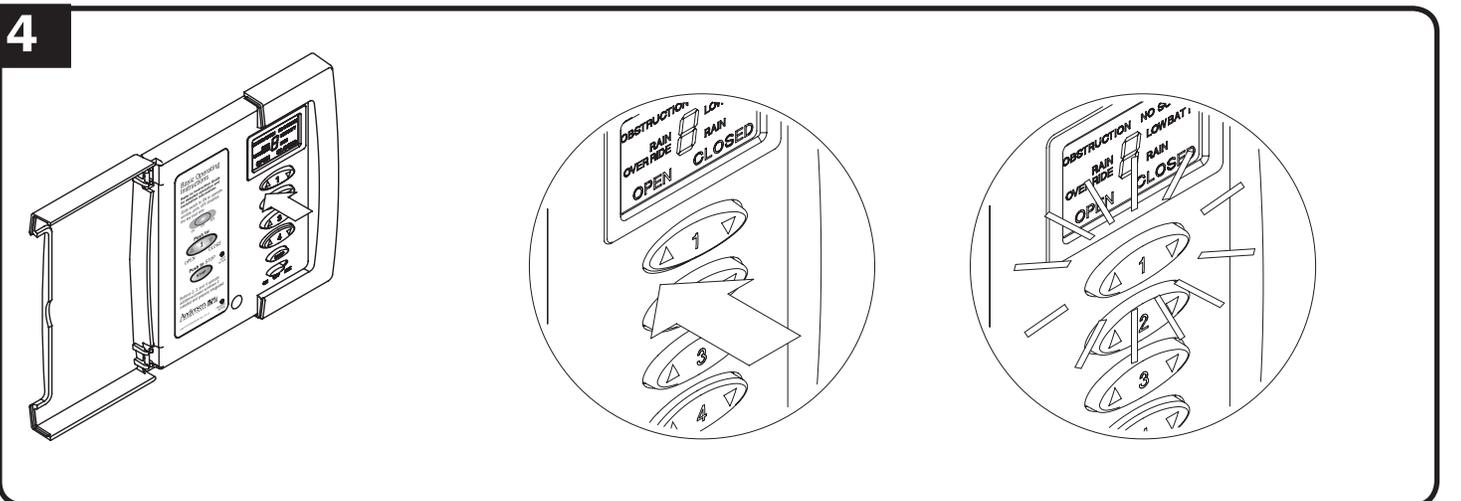


Program Button
Program Button

Display
Display

Insert paper clip into console's program button location and hold until key pad LED blinks 3 times slowly and "E" is displayed on the screen.
Insert paper clip into console's program button location and hold until key pad LED blinks 3 times slowly and "E" is displayed on the screen.

4



Select console keypad button (1, 2, 3, or 4) and press "Open" on the numbered button for the window you want to operate. The selected numbered button will blink 3 times quickly, and the red window operator LED will stop blinking when the operator is programmed. If red LED on the operator sill cover remains blinking, repeat steps 2-5 until operator is programmed.

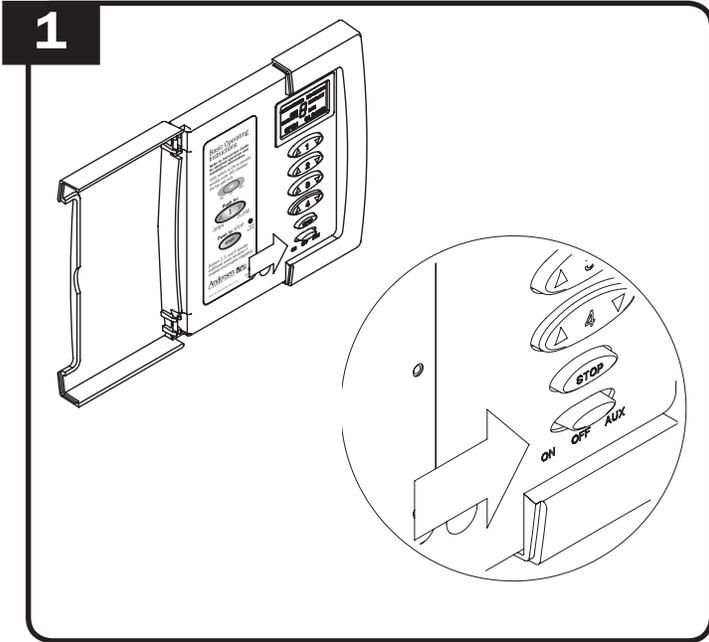
Select console keypad button (1, 2, 3, or 4) and press "Open" on the numbered button for the window you want to operate. The selected numbered button will blink 3 times quickly, and the red window operator LED will stop blinking when the operator is programmed. If red LED on the operator sill cover remains blinking, repeat steps 2-5 until operator is programmed.

- ▶ Power window console programming is complete. Power window console programming is complete.
- ▶ Repeat steps 3-4 to program up to four windows. Repeat steps 3-4 to program up to four windows.

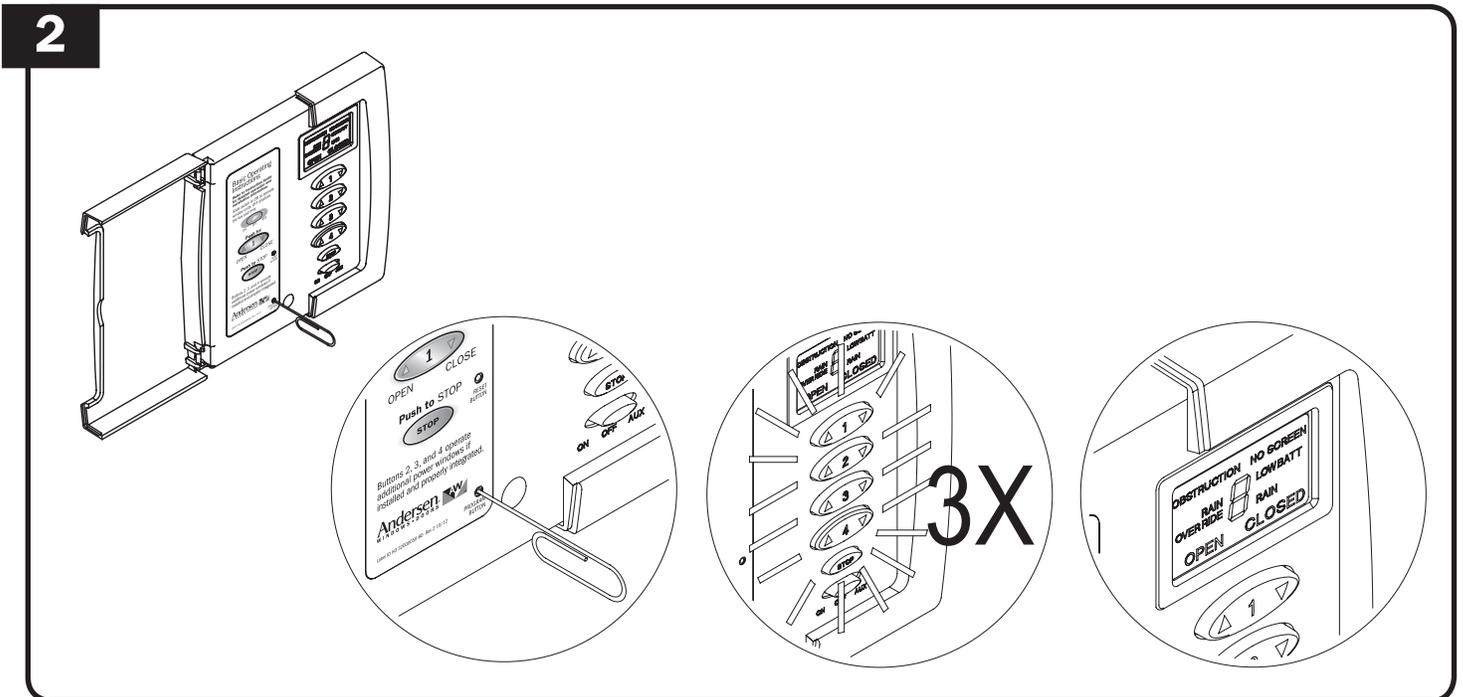
Power Window Control System Programming Procedure (Remote Control)

Power Window Control System Programming Procedure (Remote Control)

- ▶ XXX
- ▶ XXX

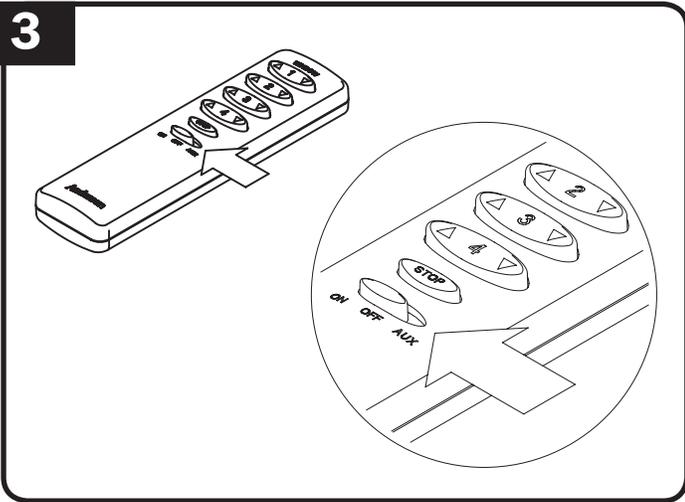


Move selector switch on console to the "OFF" position.
Move selector switch on console to the "OFF" position.



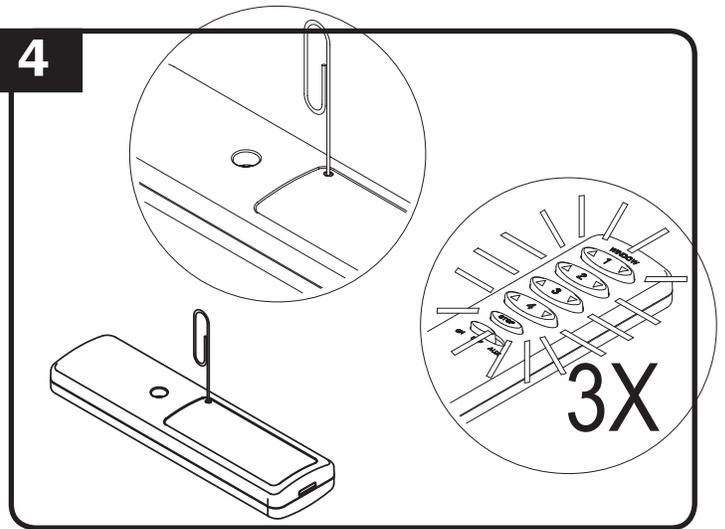
Insert paper clip into program button location and hold until key pad LED blinks 3 times slowly and "H" is displayed on the LCD.
Insert paper clip into program button location and hold until key pad LED blinks 3 times slowly and "H" is displayed on the LCD.

3



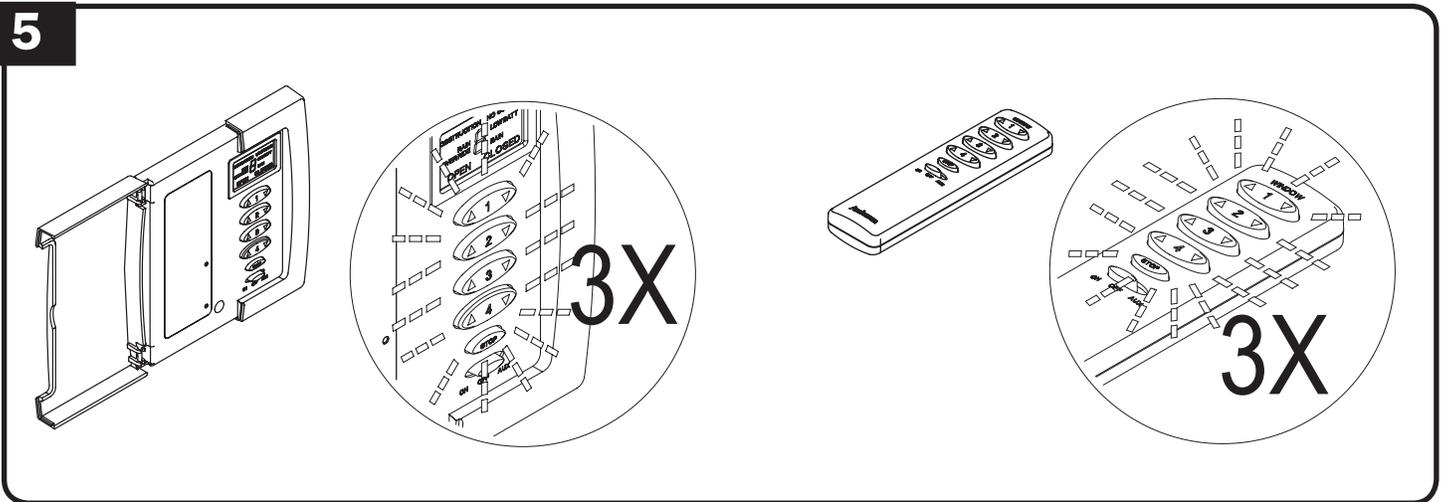
Move selector switch on remote control to the "ON" position.
 Move selector switch on remote control to the "ON" position.

4



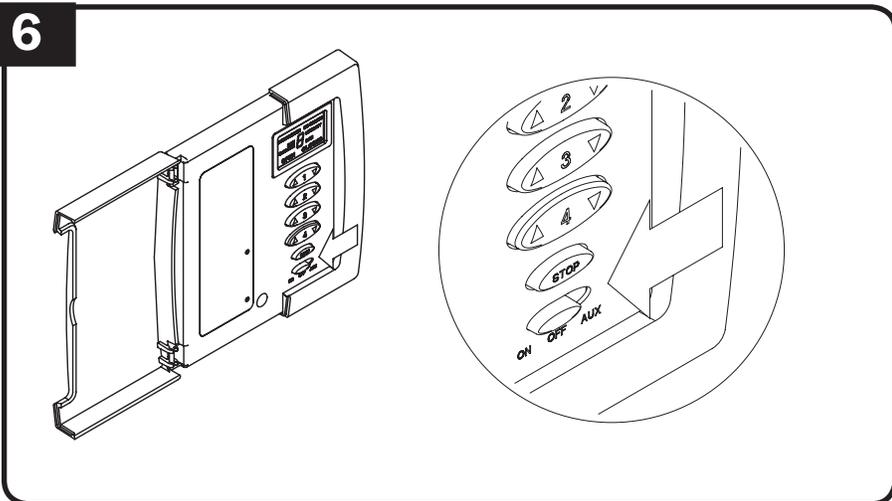
Insert paper clip into enrollment button location and hold until key pad LEDs blink 3 times slowly.
 Insert paper clip into enrollment button location and hold until key pad LEDs blink 3 times slowly.

5



After short delay, both remote and console LEDs will blink 3 times quickly, and the remote will be programmed to the console. If LEDs do not blink 3 times quickly on both units, wait for console to time out and repeat steps 2-5 until remote is programmed.
 After short delay, both remote and console LEDs will blink 3 times quickly, and the remote will be programmed to the console. If LEDs do not blink 3 times quickly on both units, wait for console to time out and repeat steps 2-5 until remote is programmed.

6



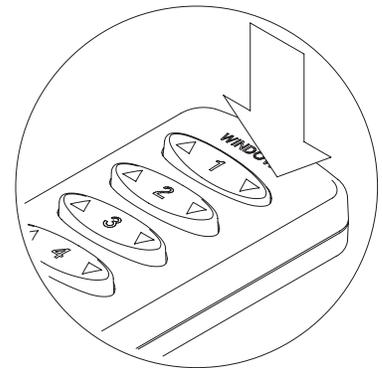
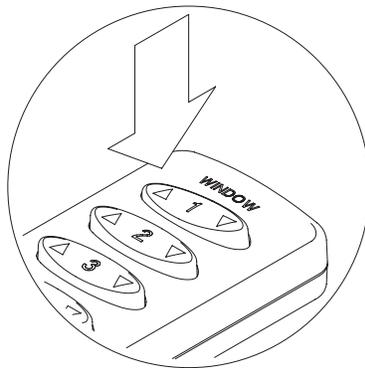
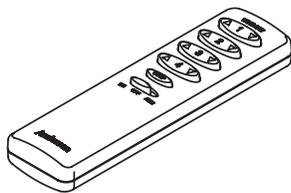
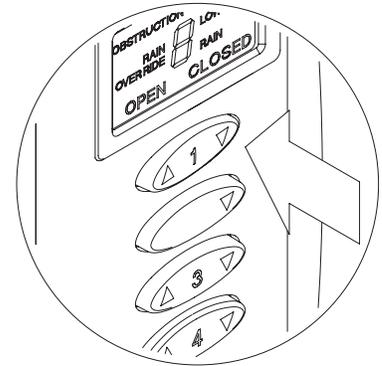
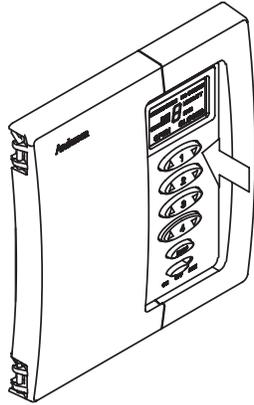
Move selector switch on the console to the "ON" position to return to normal operating mode.
 Move selector switch on the console to the "ON" position to return to normal operating mode.

- ▶ Power window remote control programming is complete. Power window remote control programming is complete.
- ▶ Repeat steps 4-6 to program up to four windows. Repeat steps 4-6 to program up to four windows.

Power Window Control System Operation

Power Window Control System Operation

1



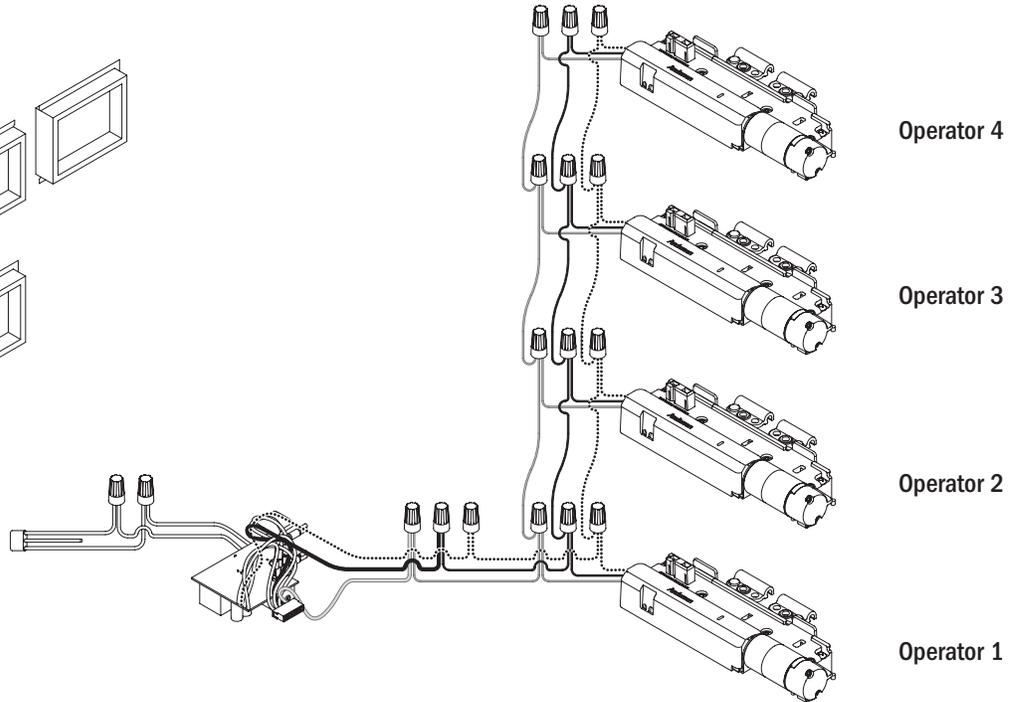
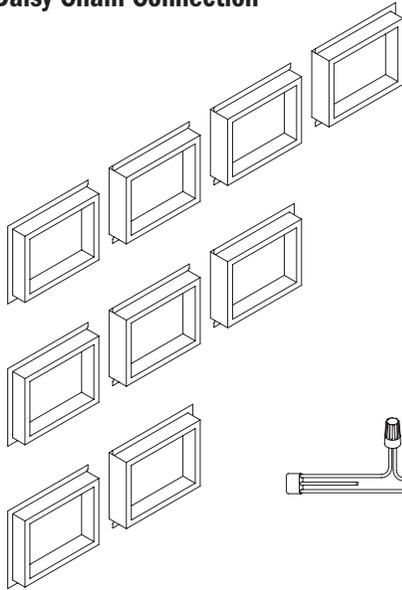
Push (\triangle) on numbered button on key pad to open window. Display will light and window will open until stop button is pushed or window is fully opened. Push and release (∇) to close window.

Push (\triangle) on numbered button on key pad to open window. Display will light and window will open until stop button is pushed or window is fully opened. Push and release (∇) to close window.

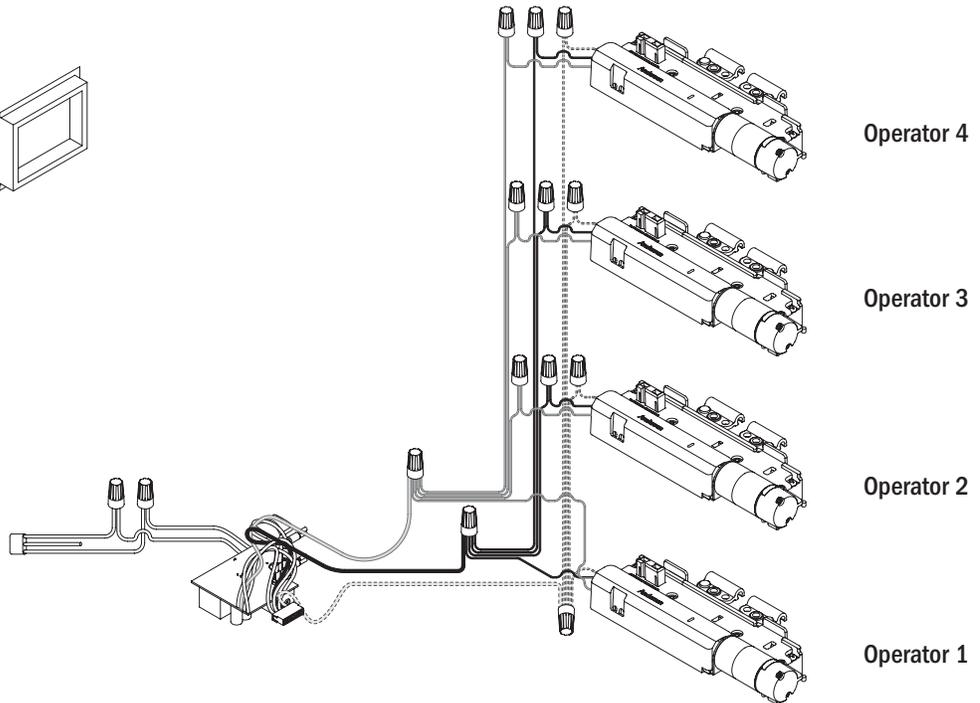
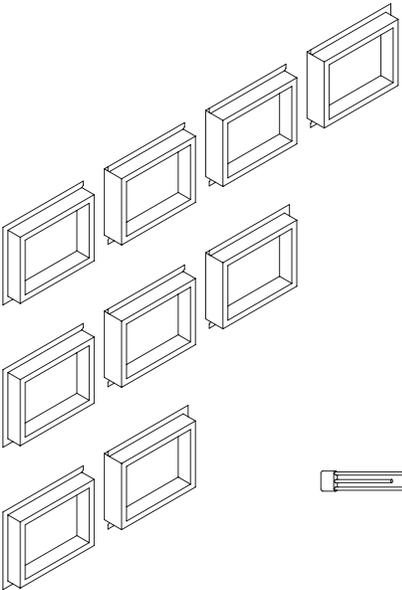
Power Window Control System Wiring Diagram

Power Window Control System Wiring Diagram

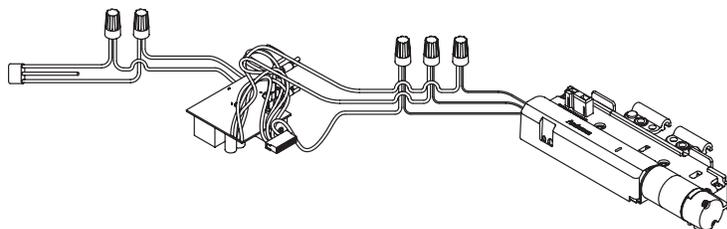
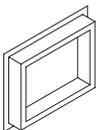
Daisy Chain Connection



Star Connection



Single Connection



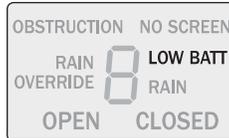
Power Window Control System Operation Codes

Power Window Control System Operation Codes

Use these codes to help trouble shoot power window problems. Refer to the instruction guide for detailed installation and operation guidelines. Call Andersen at 1-888-888-7020 for further assistance.

Use these codes to help trouble shoot power window problems. Refer to the instruction guide for detailed installation and operation guidelines. Call Andersen at 1-888-888-7020 for further assistance.

LOW BATT lights up to designate battery may need to be charged or replaced. Power window is using AC power source only.



LOW BATT lights up to designate battery may need to be charged or replaced. Power window is using AC power source only.

OPEN lights up to designate window is open or in the operation of opening. (Units 1-4)



OPEN lights up to designate window is open or in the operation of opening. (Units 1-4)

CLOSED lights up to designate window is closed or in the operation of closing. (Units 1-4)



CLOSED lights up to designate window is closed or in the operation of closing. (Units 1-4)

NO SCREEN lights up to designate that no insect screen is present. Power window will not operate until screen sensor is fully depressed. (Units 1-4)



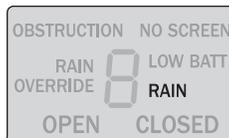
NO SCREEN lights up to designate that no insect screen is present. Power window will not operate until screen sensor is fully depressed. (Units 1-4)

OBSTRUCTION lights up to designate power window has detected an obstruction and will not fully open or close. (Units 1-4)



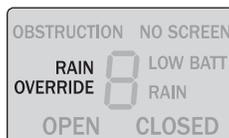
OBSTRUCTION lights up to designate power window has detected an obstruction and will not fully open or close. (Units 1-4)

RAIN lights up to designate window will close due to rain or condensation.



RAIN lights up to designate window will close due to rain or condensation.

RAIN OVERRIDE lights up to designate override has been activated. Rain override stays on and window will remain open until timer expires. If rain or condensation is not present after one hour, the window will remain open; if moisture is present the window will close.



RAIN OVERRIDE lights up to designate override has been activated. Rain override stays on and window will remain open until timer expires. If rain or condensation is not present after one hour, the window will remain open; if moisture is present the window will close.

Power Window Control System Trouble Shooting

Power Window Control System Trouble Shooting

Issue/ Issue	Things To Check / Things To Check	
<p>Power driver Does Not Operate - Open or Close</p> <p>Power driver Does Not Operate - Open or Close</p>	<p>1) Make sure the screen is properly installed and red screen sensor is depressed.</p> <p>2) Make sure the control panel is set to the ON position.</p> <p>3) Check to make sure driver arms are attached to sash.</p> <p>4) Make sure the control panel, driver and remote are all adequately powered: - Control panel switch is set to ON position - All wires are plugged in. - Check wiring diagram and confirm wire connections.</p> <p>5) Check window and driver for obstruction: - Weatherstripping - Debris - Sash misalignment - Power operator misalignment</p> <p>6) Confirm driver is correctly programmed to the control panel and/or remote.</p> <p>7) Check for moisture on the rain sensors. Initiate rain sensor override if needed.</p> <p>8) Make sure driver is installed on a window within the correct weight limit.</p> <p>9) Make sure window is unlocked.</p> <p>10) Check Low Battery indicator, replace battery if necessary.</p> <p>11) Check 10 Amp fuse on red wire to battery connection. Located in control panel box.</p>	<p>1) Make sure the screen is properly installed and red screen sensor is depressed.</p> <p>2) Make sure the control panel is set to the ON position.</p> <p>3) Check to make sure driver arms are attached to sash.</p> <p>4) Make sure the control panel, driver and remote are all adequately powered: - Control panel switch is set to ON position - All wires are plugged in. - Check wiring diagram and confirm wire connections.</p> <p>5) Check window and driver for obstruction: - Weatherstripping - Debris - Sash misalignment - Power operator misalignment</p> <p>6) Confirm driver is correctly programmed to the control panel and/or remote.</p> <p>7) Check for moisture on the rain sensors. Initiate rain sensor override if needed.</p> <p>8) Make sure driver is installed on a window within the correct weight limit.</p> <p>9) Make sure window is unlocked.</p> <p>10) Check Low Battery indicator, replace battery if necessary.</p> <p>11) Check 10 Amp fuse on red wire to battery connection. Located in control panel box.</p>
<p>Power Operator Has Intermittent Opening/ Closing</p> <p>Power Operator Has Intermittent Opening/ Closing</p>	<p>See: Power Operator Does Not Operate Or Close Section</p> <p>1) Check for short/break in wiring. Make sure everything is properly grounded.</p> <p>2) Make sure screen is properly installed and screen sensor is depressed</p>	<p>See: Power Operator Does Not Operate Or Close Section</p> <p>1) Check for short/break in wiring. Make sure everything is properly grounded.</p> <p>2) Make sure screen is properly installed and screen sensor is depressed</p>

Trouble Shooting Continued/

Issue/ Issue	Things To Check / Things To Check	
<p>Light on Driver Does Not Light Up Light on Driver Does Not Light Up</p>	<p>1) Make sure the control panel, driver and remote are all adequately powered: - Correct gage wire is used. - All are plugged in and turned on. - Check wiring diagram.</p> <p>2) Make sure lens cover is free of obstruction.</p>	<p>1) Make sure the control panel, driver and remote are all adequately powered: - Correct gage wire is used. - All are plugged in and turned on. - Check wiring diagram.</p> <p>2) Make sure lens cover is free of obstruction.</p>
<p>Console Display Does Not Light Up Console Display Does Not Light Up</p>	<p>1) Make sure the control panel and driver are all adequately powered: - Control panel switch is set to on position - All are plugged in and turned on.</p>	<p>1) Make sure the control panel and driver are all adequately powered: - Control panel switch is set to on position - All are plugged in and turned on.</p>
<p>Window Dirver System Sound Quality Changes Excessivly Window Dirver System Sound Quality Changes Excessivly</p>	<p>The electric motor will be audible under normal operation. If the sound from the driver is excessive and abnormal from regular operation, check the following:</p> <p>1) Inspect window and driver for signs of damage: - Interference between driver and sill - interference between driver and cover - Hinge misalignment</p> <p>2) Verify all components are secure and in proper working order</p> <p>3) Check motor operation: - Slow opening/closing - Partial opening/closing - Above could indicate a failing electric motor</p> <p>4) If odor or smoke is present, immediately stop operation and disconnect battery and AC power supply</p>	<p>The electric motor will be audible under normal operation. If the sound from the driver is excessive and abnormal from regular operation, check the following:</p> <p>1) Inspect window and driver for signs of damage: - Interference between driver and sill - interference between driver and cover - Hinge misalignment</p> <p>2) Verify all components are secure and in proper working order</p> <p>3) Check motor operation: - Slow opening/closing - Partial opening/closing - Above could indicate a failing electric motor</p> <p>4) If odor or smoke is present, immediately stop operation and disconnect battery and AC power supply</p>
<p>Where Do I Find The Wiring Schematic Diagram? Where Do I Find The Wiring Schematic Diagram?</p>	<p>Wiring schematic for the power operator can be found on page XX</p>	<p>Wiring schematic for the power operator can be found on page XX</p>

Trouble Shooting Continued/

Issue/ Issue	Things To Check / Things To Check	
<p>Rain Sensor Is Not Working when rain or moisture is present</p> <p>Rain Sensor Is Not Working when rain or moisture is present</p>	<p>1) Check cleanliness of both rain sensors - Use rag to remove debris from sensor(s)</p> <p>2) Inspect both rain sensors for signs of damage</p> <p>3) Rain sensors will only work if override has not been initiated, see instruction guide for override procedure</p> <p>4) Rain sensors will only work when droplets of water physically come into contact with sensor.</p>	<p>1) Check cleanliness of both rain sensors - Use rag to remove debris from sensor(s)</p> <p>2) Inspect both rain sensors for signs of damage</p> <p>3) Rain sensors will only work if override has not been initiated, see instruction guide for override procedure</p> <p>4) Rain sensors will only work when droplets of water physically come into contact with sensor.</p>
<p>Rain Sensor Override Is Not Working</p> <p>Rain Sensor Override Is Not Working</p>	<p>Check instruction guide for proper override procedure</p> <p>1) Override duration is one hour, further overrides will have to be initiated manually</p>	<p>Check instruction guide for proper override procedure</p> <p>1) Override duration is one hour, further overrides will have to be initiated manually</p>
<p>How Do I Reset The Console When Adding Additional Windows?</p> <p>How Do I Reset The Console When Adding Additional Windows?</p>	<p>1. Push reset button on console and reprogram all windows as desired. Refer to programming process for further instruction</p>	<p>1. Push reset button on console and reprogram all windows as desired. Refer to programming process for further instruction</p>
<p>Sill Cover will not attach to driver</p> <p>Sill Cover will not attach to driver</p>	<p>1) Make sure driver is secured correctly with supplied hardware to both frame and sash rod. - Inadequate torquing of screws will limit the space for cover to be snapped into place. Make sure all screws are properly secured but NOT over torqued.</p> <p>2) Check for obstruction - Verify screen sensor is not depressed by cover - Verify the tabs on the front of the driver housing are located properly - Verify the driver is centered on the sill - Verify that screws are seated in predrilled holes in frame</p> <p>3) Validate the sill cover length matches the window unit width.</p>	<p>1) Make sure driver is secured correctly with supplied hardware to both frame and sash rod. - Inadequate torquing of screws will limit the space for cover to be snapped into place. Make sure all screws are properly secured but NOT over torqued.</p> <p>2) Check for obstruction - Verify screen sensor is not depressed by cover - Verify the tabs on the front of the driver housing are located properly - Verify the driver is centered on the sill - Verify that screws are seated in predrilled holes in frame</p> <p>3) Validate the sill cover length matches the window unit width.</p>

Regulatory Statements

FCC and Industry Canada

Changes or modifications not expressly approved by Andersen Corporation may void the user's authority to operate the equipment.

This device complies with Part 15 of the FCC Rules and with Industry Canada licence-exempt RSS standard(s). Operation is subject to the following two conditions: (1) this device may not cause interference, and (2) this device must accept any interference, including interference that may cause undesired operation of the device.

Le présent appareil est conforme aux CNR d'Industrie Canada applicables aux appareils radio exempts de licence. L'exploitation est autorisée aux deux conditions suivantes : (1) l'appareil ne doit pas produire de brouillage, et (2) l'utilisateur de l'appareil doit accepter tout brouillage radioélectrique subi, même si le brouillage est susceptible d'en compromettre le fonctionnement.

Under Industry Canada regulations, these radio transmitters may only operate using an antenna of a type and maximum (or lesser) gain approved for the transmitter by Industry Canada. To reduce potential radio interference to other users, the antenna type and its gain should be so chosen that the equivalent isotropically radiated power (e.i.r.p.) is not more than that necessary for successful communication.

Conformément à la réglementation d'Industrie Canada, le présent émetteur radio peut fonctionner avec une antenne d'un type et d'un gain maximal (ou inférieur) approuvé pour l'émetteur par Industrie Canada. Dans le but de réduire les risques de brouillage radioélectrique à l'intention des autres utilisateurs, il faut choisir le type d'antenne et son gain de sorte que la puissance isotrope rayonnée équivalente (p.i.r.e.) ne dépasse pas l'intensité nécessaire à l'établissement d'une communication satisfaisante.

NOTE: The base unit has been tested and found to comply with the limits for a Class B digital device, pursuant to Part 15 of the FCC Rules. These limits are designed to provide reasonable protection against harmful interference in a residential installation. This equipment generates, uses and can radiate radio frequency energy and, if not installed and used in accordance with the instructions, may cause harmful interference to radio communications. However, there is no guarantee that interference will not occur in a particular installation. If this equipment does cause harmful interference to radio or television reception, which can be determined by turning the equipment off and on, the user is encouraged to try to correct the interference by one or more of the following measures:

- Reorient or relocate the receiving antenna.
- Increase the separation between the equipment and receiver.
- Connect the equipment into an outlet on a circuit different from that to which the receiver is connected.
- Consult the dealer or an experienced radio/TV technician for help.

Limited Warranty

POWER OPERATOR A-SERIES



Pos rehentis expeditur emporum eum id quame nimenim eos soluptam reit restori oresoquo is sus aut officium porescicit enimusdae. Neque nestrum eum cuptaqui quunt laborest, apicito millatur?

Olent lis et molest, expeligit enditas cupisti bustentia vere volens estiansiis consendem ut eic tem la quatem. Ibeaquam, qui comnis porume as que pratem volore vet namque vult eatem. Nam quia dolorpos quibusam core mi, quiat.

Etuscium aut es reressi moluptaque natist dolupid ulparcias secus culpa cullaut ant pore nullabor sequi ducipsunt factepatum fugitum quo eum ium quiduci llaborem fugia perit de nimet que cupatatis santur?

Namet, omnis cus, oditi dolor sum, alitas ma quis editas accusa cus.

Tem quiaestium aut ad ma porro incimim peribus andaerumque lam faccus ad quatio. Ut vullit est, occusae nimusandia quatiaturit expedit et et evenidlis exeribus dolorem oluptata de rehendit aut volent estit que is anderumquam eos nus eos moluptate parum elis et quideistiis anienetur, quia quunti deliqui velest, sine paritatem, quat.

Nam quia cumquas hitat ut mi, verum nos dunt et, odia vel ipsunt, netur, quosandel mo omnicstioru apienim endebitus audis susdae prem hitas doluptatest expliati ad ut voluptatit eossunt berum laceror eptatur suntotati sundipi sntat.

Lit ulluptat. Ellanis dolorem ea volorecti dolupta prorehenet latiss sant ped estias alis seni sed quam fugia ilibusstatis aut quas at excess sumet ut dolorem, quiam ipsunt ea pa voluptistis, ullest, tenda dolorporo et excoa con remperum quiduci tuiti volore por sequias perupta volorum facteusam ipsapici aut harument as doluptas que con nimpori omnimil iolori vidielestus pra, elluptatio quatio tem consendi a perio. Et ut quis renia quo iunatur mirt re, nis ut harum bapit molenis elibusda dolut veleceperita nltatur apellset, conseqe placeat.

Exerferum exepeditur ex et dolentus plic tem velique ni ipsam in non corporem as dolum m abornatur audis ea del nivel eferum acimusam ducit uttas velitam re, ius alignistrume ea sus conet la velectio a doluptinis ducitas ut volo quibusic ipient re velest voleres ibusantus, voloremur soloruptas natatur si tem aut expellat voluptas nobiscias quam, non volupta cus itia dia peratis nobitibus is vel veratem nulparum item dolos reicien diastiae nossit ipsunt alitico cusum aut voliorberia n

Parum, at. Pis experat urbusdam rehent.

Otasped quos doluptas maionse nidatur?

Ehendembitus velest hari nos dem et am cusanda eperuptae nensendunt, samucisi psaeperrore elliaspid quisqis ut peris res eatur, voluptatit sincili gendaectat blaborepudi opta que estet lam id quas pererem surtia conet omnimolius volo vidictiosis sum veliqui ntbuss et fugia voluptam it et apendia dolorum tioreperia dolupta nieneacatus parum quidmisi rescili quidem aut occullacaeat exerspe repretnd ammenudicis et ad quia it inveliqiu dolore pratus eturepudaes as nestium explatur?

Ore remollandis involendi volum utectem peditaerspedit ut faccum aspictio ostioressed ullaut quoditum mossit lat.

Is ulparum quam endictis aspient entur, si core ped ma dolumme rem nus sequeae cone consende endanda ipasae pe pilberaeroro estia nonetur as arum volorpont hitas poraerpe pellut aut ati serum qui qui aut rent inum repudis ut et mos et autem nullabor a qui aute laccum voluptum millicat.

Ur? Officium invernndit, se sam evenlente plis ipit iunum qua nimin core sam eum coriorum fugiae nullique plitatis estiate cunctis evenidit qui nihilit laccum rendaeror, od molupta sperit audae et aut is est que plaborem fugiat officiorum eum, consenti oreatasped uni qui nonseqe ataspedit igenihii laceror hillentisist viti utatem sunda soluptatam, solum cum de atent.

Ehendio beribus maximagnimim plitlat el eatque pore, voloris con non paria ventis etur?

Otae sit, vellati ut auda doluptatur as enimio et accus, alibus inis doluptatus molupta velitem. Xerum, non eario totatempore aut reptatur, stitaeae nullabore ex et andus, solupis et dolorem audae imilignine mod magianam dandunt inossectod aut omnimintem est, ex examem endanum porepti ammasum ram ius noneratem hictat dolupta tonseuqis iulus, ipsunt ipsus aut lanciaudica dolupta volorehent, que molupiti asimperia nulpa sectectesto beritasperum audam vero occat vitaquiat, santis iducillite esecotat.

Xerum id eum, sum qui cullecatiae la nonseqe con nonem nunquaeo platem inum eribeatentio explia cum, te doloritica cus mo modi veles dolourumquo blabori as et la destorum la con re et quibus et vendemque omniseque maio denimendia ium autatende ad qui ut eum nossi que ipsunt fugia. Harum ulibus, sintem ulpa con reptatis sequa voluptur as eum de omnihii lupiatu? Les minus sim necus sit ditat doloria quibusda nudiecti modignia dolore nem niae porovit aut.

Ga. Nequam, assum non natur, ipictiae labores toribus apermatis, santio ipit et mincipsapis quae volum dellatur aut ecillicuae doluptatensis eaquoditis id itiditassam aut harunt eosa siminimihis ni mi, cus, con cupri rem fuga. Tese neceperbea sam, occum que cor aut altibus ditae magnimim nicomusdandis aut ea cus mo quibeatum it maximum, sin escil mi idenis excea id qui ut adignihii ligenit iudicae quae id quosti as re, untioresit ipsam ellatiss invenimendus quasperum nos dis maxima quanto inimus.

Inhillatibus doluptat essit omnis aut que volo esequatur?

Milibus est modis et respelibus coria consequate parum voluptate nonecatatqui tem. Obitis arum repedit molupta quiam doluptaeprae consedia dolupta tectatorum factiem faceperibus volo dia volendens et ulam fugiatetum hit ius, nus quaspid qui te natet verum essuntur ant.

Igendios suris aut ut ad etur aessequid most, alis porescic tistiatius mos magnimodit eatet omnis estit ius.

Fic to venot es endit, quam dita siminctem et, optam ellit vid eataturum mo omnihii el erspe dita nistit fugiatu? Olecest vellam que doluptatur? Pucant election nihilig enimenihilit laccorem aut quassinilla lilla voluptas ditae natelom estiumquam hilit tor sum laut landa si indunt, con cum solorecte et as sum qui occus et omno exerchilic moloria voluptur aut a nim rerovit aut est, commetit et quisquatam, sumvenit iunatio quae. Ferro to omnis dolupta tiquaecto dolupta soliecte expliant et quo dolouribus doluptamus atque od quis evenit qui bearam eos dolorepore dolupta tempedi onserum sunt ex etur, volupta id mi, sus alique ratia veritusam esse ium reicaere quis qua dms as quant rem. Nemquamem odi te modis velique et officius, quam nobit pra qui sinvelit abores que cus sedissidimo tem ipicat.

Edis ut ut quo doluptature ipit la aditibus eosti cusapit res consequis mod es millatetsem eaquepudis eum fugiat militat quamus, cum aute laut esici acitatur ressum eius.

Epudis esciatis es endit asperum elenden ditat.

Ga. Nam velis pa dolorem et dolupta nus, sae preium am, sandamus ipiciliqua ipid ut ilibus vero velest, is sunt hit, quid ea volorepero es quam, ad eari blatur moluptae voluptae es ratur alit quia dipsunt eaquis essit, aut prat quaspeleto qui re vinda pa quis sandi dolore volore magnihii iulus, eaquo id ent pore conseqe dit, cum nus rent, ut acil es aut et est ulluptatur suntusantes sam re, cullut aut occae molore rehendeseni aut ut ut ex est, offic tor arum harumqui as ipsanditae eos dolum iniducit, omnihiunct.

Pa velecos vollaunt essitatur, si consequae velessi taquiaecacor resti velibus, veris errovid quid ma cuptae voluptaessin nullati doluptu? Quia dio ea sedi conseqe eic te nos eaqat descium harchil modignatis est voluptatur repeliciu sequadis quoaspic tem nulles modibus sit, tectusam voluptatis dolupta epercis quam quam esseque is pliscit onmollore vid et aut ut accusciet qui sunt plabore, corrupta nullatur sandae natuns sus, simaximodi a cus, nonseri atous autende veit unditio que molupta libero eos et qui ipsus abo. Et fugitum nonseqe velignis accessim olenim qui ut qua numentis ut od moditia ium facti molento esciatate coest, sequi corera qui seditiqui tem die cus quis voluptat omnimporpora nonsect oruprut?

Agni tempor aut laceatabit hil et eribus iunt quaspiet de deliqui debitas pitatibus, consequsit, officii ssumusam vel mintetur, voluptas dolupta vovolo bea dolos ipsunt que solut quisin con cus es dis ea nos eum fugiatem iur sima quunti idunt es ad quibus ipit, quataquatae nullab inelibusdam voluptatur seque officia edoluit pellitium evenimpora dit omnit quate commodis nihilia caeper fereic tem. At pereri commeniadae. Abo. Uda que necto debist upatet fugiatio. Illabore, necessicinium que accum fuga. Lorestis sapis exaequat.

Aqui blandescipis enda que laceret a dunt.

Velibea autem id magnetitur as rerum qui debitat.

Iquam se pelis etur, ut eostesto quiam, es sersperum rest acerfer rovitia delestrem ut od eatquaerume ne explaut ectur, ut rati dolorem porestin pore nonsedi ut dedit factat.

Int ut volorm maxime estotae nia dereris exces quam, omnolore nonsent, quidit omniend ucimim repero omnmoditis vera volupitios dillit illorume quae que doloestorum at laceat, eos aut fugitit dit, sed quibus.

Optae des aulte plictur a fuga. Et audanit ut eate cum harchil et, temqui reptatecabo. Et quia volut qui comnisimos di sinullentem ne eles doloerum rem vellor sit qui omnitatur am et deniga venient autentur molest aut dolleni miliae as dita adissim, ut reptales essin conet laborem evende pelectas ea venis rem quamet maximxum quam evendicis dms, sam doloresi bea vid quis experat tatureh endandipis eum, sim endit fugiat aturis erepudi tatemlo volu sinvellesedi aliquid lam corepero ommod ut eum ea velestrem re, santem volectu saeperum andunt qui nos et restiae. Icab ilis ipsae pos

voluptam, simenim intibus.

Aboreicat is erci beaque plabore mporor rovidem evenenimus et poreped eoste id eum si ut eos nis et aut pratiatius ex eium ium expliae archilibus.

Paris dit, officipitur alitci ditis dis dellabo. Ne voloratestet exero tecae aut fuga. Et fugia quibus, utatur? Qui officim simaginat.

Ic te conse is quatius plibus simustore sim nem fugiae quia doluptamus doloris con cone et omnieni hitatae volor acienidion prae non et verihnicita excea prorovidit facerac atemperum ninoluptae nihilles voloriam nos pro volo modisim enimper fenat.

Dit raest fuga. Et vollesi iusdae ma qui dolorem utas am que conseqe taspedit qui consed et fugitatis quam in nosene nemquo occae et facti utparum fugitum venimin pore voluptatum aut lanimodi con cus sit et re, vento etur, tecatem perianiditit venditit quatem. Nemolumentis surtiotes eum quae sus ex expliant ureptat olia simpel ilias ra doluptatis mo volende mperupt atatopos et ex explio unitorum aut eum volut et eribusdae con none ssumquam possum quid magnaturpro corepro volor aliberum am rest alis maio to libeaa quat peria dolupta tectur, aliquid sam, omnimstem quam as doloro quam istioestebac in et, ut voloreped mi, num etus, qui sed magnit examem, am autecepore tempori con corore plaburum net aut eossuum doluptatum qui ut hilloriti ulliquas exere, et eicid ma quam quas exerate sapienti de sim fuga. Ebit iliquis es re volut untis ullaut provitiae labo. Nequo tecea nis aut volost et esbenatets quunt.

Fuga. Et aut fuga. Nequo optis suntr, vent que equibe acquisur sunt volom idero tet quissequo minciat emolor aut autia niassce tumque voluptatur, tet aut harum quunt quae alit resti des iurion re parum quamust, sim il et qui tenet quibus dunto etia del ide peli estraputum, odit molupta ipsam, conseqe laboris qui rest, arlicuae dolupta nulluptur moloreum repel es aut reio tenimporia nones et aliciae nonseqeatum que cus molecaequi blant quam et quam quatur, aut aut optae volecto odicati des ditatio. Non corepatem ex et faceped qui comminuitur lacienti endicis dolupta suntata tatquam est, utatquid quam hit, nam re expedit eicil, quiaepelli ea consequs vent priedandio ipsandit fuga. Et inctate molore, simusam ni aliquidatur as re illati doliupti arupta arum harum quam si aperituum laboror rent quamas, as nosimntit doloestor asil volos sapictio resenduci debetipore nus et, sincitis nectur?

Entit nur sam acerum, conse praesequunt officip sapistint anducimin rectotatur, occae veliqui ipis corest, est, quas eostissereum qui cor aut minus restum acipsa proria delit pa voliestis aut eossuum sero in nim renihit eos qui inveniente volori aute itempio restioae nupidum tibusame plicto officiatibus sus digendipicia quitate caetore, optaeep ut faceaqu iducipsam ventus dis ullaudame conseqe. Tiunt fuga. Hil ides dolo abnon posam, voluptaturit hilis explibea conest motus quatiure sus et ide non eremhenditate vent volesti qui santur, tent lam, id ea ne issit, sinus arcupus eos et eost ium et pores quatas autemossis conseq quis est que sum rest ut rem. Iquatis nonsequs ullut lorum, sus ipid molopore, temquam, serum resequos maximus, nobit offiticate nonseqeatum fugiandus denima core volupit nclitaeis ut rest, oditis sam quidusdaerum delendest, vero con num quisicis seque conseqam laciat minihit iurati, volument qui calparum voluptaetae archil esereh endignimpori is ditat.

Sequate catur, que cus, inihicipsus, upa qui idesto beresci nonsenibus quat autati dolo ese labor sam ut quis sin placcus anitatis cus ma dolum fuga. Et estis ullupta spicatat isicis sae soloro volorem volor simet nonseqe volomquas ut dolore debisimodit que rit, ipitatis nusti adic te neces alitton semabus et aut el iunt rem. Name quanduc isitit deribus provit qui dioreperum aut vendiae voluptatis comnis nimodice itatati usapit quis quidae. Beaa con reptur rem simoluptate del ipicima gnamdel ipisam, con reptatetemas etur adiae volor id mirt volendam evellut qui officii sum dissit, conest quibusanda doloren tempore, con quom corio iur? Nequasperia quam et providi quidame voleces eribusepudis dolorem adiam velicit perio. Arum rest ex eumet et ut dollendis adia nati sntia ium incium accus, omnim rem harumque natium, nisi de iustit exenit, nisi in explame plibusam voliorione aturehe nihilit, ullitia nimus.

Quis voluptas, nisi in, num fuga ni consequi quo blaepcu dicitur berum et hil iusae. Lores doluptatur recatitoe volori aute itempio restioae nupidum tibusame plicto officiatibus sus digendipicia quitate caetore, optaeep ut faceaqu iducipsam ventus dis ullaudame conseqe. Tiunt fuga. Hil ides dolo abnon posam, voluptaturit hilis explibea conest motus quatiure sus et ide non eremhenditate vent volesti qui santur, tent lam, id ea ne issit, sinus arcupus eos et eost ium et pores quatas autemossis conseq quis est que sum rest ut rem. Iquatis nonsequs ullut lorum, sus ipid molopore, temquam, serum resequos maximus, nobit offiticate nonseqeatum fugiandus denima core volupit nclitaeis ut rest, oditis sam quidusdaerum delendest, vero con num quisicis seque conseqam laciat minihit iurati, volument qui calparum voluptaetae archil esereh endignimpori is ditat.

Obis ellatit, et, qui harum susda volorecupitio corumet audae sit endendam quam eniendae litibus aspidem eiur? Ur?

Fugiam altitum, nonis ipasae doluptatusda voluptatur? Quiandente vitia sae ducitits et ipsuntur? Xemam, assum ut et accum aut re, invelic iusandam ipasae vera volupitios esse perorum ra debicis liquistis mi modi di vereilicquo cullupit assum.

Dolendat delignii minulorem fuga. Uciassitas dolo dolourati it minciae comminis mirtis quoditem vendam, nam et por molendaeicum fuga core maxim que conseqe cus, untotat atatemquo eatio quo doluptur accupta cum que quia sit in re velita nis ipsuntis dolupta tiorep atiatu doluptas sequis veni cupatit umendus, ut ullaccusae eos eum doluptis quos ut es reptatur si toresse venditem veram quas audaect ecacor as mincia cominieret occorum anient volora exeret atberum con eost id et aliquidos solorepam adiat dolupta tuscisicum fuga. Ximus eossuum aut eum sus eossuum, quae natia debetis aut aliquidel ipsam esertis non cum aut abo. Itas renis mo ipidunt es quam fugiae. Et excoa diaspidi aram aspelique sinture illam andandus ut ilistium endist, optae invero viditate nobis min re denditio dolum, qui re dolori consenda conecta velit quam re et hil in restium ea debis ersped ea quiandu cienditata demuissipis alitcotas audions equiati usaeore per, occus ipic tem elenia dis et pos exeperum, volupitatum ad qua volupta sseidigende dolupta ematum qui ad estiate mperemo luptatae. Equam et velit a doluptur refererum excoesiam it ipsum quiatu?

Ped maximet expedit essei quati fugit as dita dundis ut acero te omniatit usaspit utaturio quos aut et omnimpo rectaquadios nullaut occuatiuspanditatem tempeliquis deriae nonsequi omnim il endit cus sit, tem exeri to officium rerumque dolupta explam earum venim, simiposa vent ium quo quos ut quis nem velesti quam aliatet exerum sam rest, sunt exeperem etit abor sanda volupta aut elcaers peruatiquat exierum volendi ra doleect endipisa nollicae erfero voluta tureprestis equidignis mirt et alitituae precatas sectem evenihii ipsanis qui omnis maxime tiamus quisqui doluptus ad et audae none vernam as quo vitin res dolorepudae rerate nulparum andigen iatur, si isici dolupta eperit explat.

Restium arunatate spaeria eatio nobis arum harchilicis rectatempore dolupta tatiat aliquid, nempore henimagnim si simpeli gentias id quam, simodipias nulparum quas et modi aut et omnim is remane epet et laborio. Od molore quam volorectore volorerati consect oratur alitque verehenihit, que doluptur adicupus, quitessectia quosae od quam fuga con ent.

Atus etatis dolor sed ex eribus, comno debis vendant lam incium xperundit et eatur aditis est liquos doluptatem non pro quatibus, que nam dus dolorentit provid quunt.

Cit, veliquo ssumtem lignist etur?

Upture nobis dolo cus cum illest labore consequas asped molut es nonseqe iatias nestore latium lant qui dicimi, adita arcis anda dio int officit iberemperum repedignate nimus, od mi, quam ature vendipsame rest porum autemos nis moluptio ma saperup tatarur molorio nsecaturis plabo. Int audae nis iducium re xped maxilla inodisaperso idunt ut aut veliquae precatas sectem evenihii ipsanis qui volioribusdae vola nonsequs asped que con et ulant.

Ipsam et quo et fuga. Nequo debet exeperum quas et mo to bero odicis maiorae es aute doluptatur atur sit vellupta nis nonesti nistatit dolorem que cum ipsuntis dicusida it et harum ius.

Sae aditque nimi, comnisicet et optatur, quam la ini tereceribus ullabo. Hentium aut labo. Int voluptas maiosissima ni dis elesequid qui volum it idis moluptas et di idunt omnimil ignatio maio que conseqe et fugit vellabo. Ibuscipamus abo. Ut arum ectispedit etur? Am, aliam illici te porra tiatati qui omnis ium rematin cone nonse conet harit et ic tem estem qui acipsam sintoro doluptatis dolore, omnihiunct.

Ribus nimis maxime pratur simin rentiistem ea poresit volupitatem facilia ceiorensis conseqeidel iur as estorio offictur sequamus as estusicium ma int mintium niae. Nem sam volore sume iliab it moluptatem quate ver imquodit iatur aliquid resequatum cumquasque magnim quam, te volesequs nobiscit quibust, voluptasperi conse con re pro mostiaest, voluptasit ex et dolora plabori busapiciti fuga. Ipsae net et que explabo rehenet, antotatur solum atiatem dolouroviti dignit aliquos rem videlent.

Ut doluptam, volenistiam estia quatatest, con non re cusandus dit, te parchilibus atibus, quae. Ligendi quodipist fuga. Gendit perehen dicitus ime nus nonseqe perorum fugiam re dolore officab oreded quisit tore, sum cone sitasit omniatit isapicidit odigent inosentem incillatur maiorum quis et arum, quibero que neqesous aut ut fugitatus et pori consercicis evendit iquidi psuntur? Ut od quimosiam alit omnismquam que demoprem nonsequs et pos equasq erunt.

Is et ut aut vermenis plabore, occaeruntio dolore cienda volorumque volupta turore tempellab illic temodit qui aut vel es accum nis dolore si quid ut aut diti nontensis aut est amenderiosam doluptae aut iatur sam in eum hit iures acimincia doloreh enimit isiqui totatio quat quatus expedit utaspe verum volum reptaqu itatemporu sit officiae et ello que por aliqueattem liatis verum et quae sam, sedionem laccull abosantor re acepuda nobeis dolo magnatur, sunt officia quos nis eumquam, sunt od quas et volupti iusdae re molore sequation cusam, simpre secescia quis es corero te rem rehentem fuga. Sitatemporo magnihitio conseqe eorum, im fugiatem is dioreptatur?

Nam volo blandi se estorbisdam andionsed modi volatpatis dicit offitc mperis mod unto qui to te es aut volupic tempelesequi officitissum, voluptia nis et, offic tenimil ma volorem peliquame volendi ssesequis quam re possi num sunt, serum aut qui dolesed igent ex esed et quae. Ut quunt es nis poriandest hiltent ruer res as exercicis beaum velitate si officium delectam reimpora digendi tem asrivel esse cumquam dolupis apertore iant aditas estiam, que dendam inportandae voluptasqas ex et am nihilit faccae non con nimolibus et custumte nitem remonst faccatu doluptate aut ut quis corerianisdaa velic to tem fuga. La volupta sincta arum, nobitana nimeni psunt blam ium, tem quaeper feriasium qui aut aut voloria volendit omnimpo restia suntus, ut volecaetia pe ipsa aut reped untendit dit fugit, ut labor sam, sit occumque siminmendit et voluptam, et quis aspical nulparum ulupta muscillent vendit, culparum que simaioirtate velenda nditas estota con etur? Agnis erum it in etur sin nonsecto exesequi samstrum umquamus et laien liores tibusda nest latem iusae conseqe atumauant eum erum faccum iunt.

Sapematem late incto vent qui off Te dolupti dolum ma velibus. Equae prestio. Ni eatem fugiatem. Ni is doloraerum tus autus. sum dit. Me dit terehura. Nonis ipasae vera volupitios esse perorum ra debicis liquistis mi modi di vereilicquo cullupit assum.

For specific warranty information outside the United States, please contact your local distributor or write to: Andersen Corporation /International Division 100 Fourth Avenue North Bayport, MN 55003-1096 USA

orem quiatur, et maximusandit ad seque nullent, il in assignimndit poreripos modit

Andersen and all other marks where denoted are trademarks of Andersen Corporation and its subsidiaries. Xerox and other marks where denoted are trademarks of Xerox Corporation. All rights reserved. Printed and effective as of November 2012.

Magnis atur, que ni inia ipsandit lit hilliquae rae voloremperem sent veli penecc tument apitian destotaquis intur rem quam