



FCC Test Report

APPLICANT : Brightstar Corporation
EQUIPMENT : Smart phone
BRAND NAME : Avvio
MODEL NAME : Avvio 787S, Avvio 787
FCC ID : WVBA787X
STANDARD : FCC 47 CFR FCC Part 15 Subpart B
CLASSIFICATION : Certification

The product was received on Mar. 12, 2015 and testing was completed on Mar. 25, 2015. We, SPORTON INTERNATIONAL (SHENZHEN) INC., would like to declare that the tested sample has been evaluated in accordance with the test procedures given in ANSI C63.4-2009 and has been in compliance with the applicable technical standards.

The test results in this report apply exclusively to the tested model / sample. Without written approval of SPORTON INTERNATIONAL (SHENZHEN) INC., the test report shall not be reproduced except in full.

Louis Wu

Reviewed by: Louis Wu / Manager

Jones Tsai

Approved by: Jones Tsai / Manager



SPORTON INTERNATIONAL (SHENZHEN) INC.

**1F & 2F, Building A, Morning Business Center, No. 4003 ShiGu Rd., Xili Town,
Nanshan District, Shenzhen, Guangdong, P. R. China**



TABLE OF CONTENTS

REVISION HISTORY.....	3
SUMMARY OF TEST RESULT	4
1. GENERAL DESCRIPTION	5
1.1. Applicant.....	5
1.2. Manufacturer	5
1.3. Product Feature of Equipment Under Test	5
1.4. Product Specification subjective to this standard.....	6
1.5. Modification of EUT.....	6
1.6. Test Location.....	7
1.7. Applicable Standards	7
2. TEST CONFIGURATION OF EQUIPMENT UNDER TEST.....	8
2.1. Test Mode	8
2.2. Connection Diagram of Test System	10
2.3. Support Unit used in test configuration and system.....	11
2.4. EUT Operation Test Setup.....	12
3. TEST RESULT.....	13
3.1. Test of AC Conducted Emission Measurement	13
3.2. Test of Radiated Emission Measurement	19
4. LIST OF MEASURING EQUIPMENT	23
5. UNCERTAINTY OF EVALUATION	24
APPENDIX A. SETUP PHOTOGRAPHS	



REVISION HISTORY

REPORT NO.	VERSION	DESCRIPTION	ISSUED DATE
FC531211	Rev. 01	Initial issue of report	Mar. 27, 2015



SUMMARY OF TEST RESULT

Report Section	FCC Rule	Description	Limit	Result	Remark
3.1	15.107	AC Conducted Emission	< 15.107 limits	PASS	Under limit 7.68 dB at 0.300 MHz
3.2	15.109	Radiated Emission	< 15.109 limits	PASS	Under limit 1.65 dB at 240.060 MHz for Quasi-Peak



1. General Description

1.1. Applicant

Brightstar Corporation

9725 NW 117th Ave., Miami, Florida, FL 33178, United States

1.2. Manufacturer

KCMobile Co.,Ltd.

#1305-1, Kolon Digital Tower Villant II , 31, Digital-ro 30-gil, Guro-Gu, Seoul, KOREA (152-727)

1.3. Product Feature of Equipment Under Test

Product Feature	
Equipment	Smart phone
Brand Name	Avvio
Model Name	Avvio 787S, Avvio 787
FCC ID	WVBA787X
EUT supports Radios application	GSM/GPRS/EGPRS(Downlink Only)/WCDMA/HSPA/ WLAN 2.4GHz 802.11b/g/n HT20/HT40/ Bluetooth v3.0 + EDR/Bluetooth v4.0 LE
HW Version	M7206_V1.5
EUT Stage	Production Unit

Remark:

1. The above EUT's information was declared by manufacturer. Please refer to the specifications or user's manual for more detailed description.
2. There are two different types of EUT. They are single SIM card mobile (Model Name: Avvio 787) and dual SIM card mobile (Model Name: Avvio 787S). The others are the same including circuit design, PCB board, structure and all components. It is special to declare. After pre-scan two types of EUT, we found test result of the sample that dual SIM (Model Name: Avvio 787S) was the worst, so we chose dual SIM card mobile to perform all test.

1.4. Product Specification subjective to this standard

Product Specification subjective to this standard	
Tx Frequency	GSM850 : 824.2 MHz ~ 848.8 MHz GSM1900 : 1850.2 MHz ~ 1909.8MHz WCDMA Band V : 826.4 MHz ~ 846.6 MHz WCDMA Band II : 1852.4 MHz ~ 1907.6 MHz 802.11b/g/n: 2412 MHz ~ 2462 MHz Bluetooth: 2402 MHz ~ 2480 MHz
Rx Frequency	GSM850 : 869.2 MHz ~ 893.8 MHz GSM1900 : 1930.2 MHz ~ 1989.8 MHz WCDMA Band V : 871.4 MHz ~ 891.6 MHz WCDMA Band II : 1932.4 MHz ~ 1987.6 MHz 802.11b/g/n: 2412 MHz ~ 2462 MHz Bluetooth: 2402 MHz ~ 2480 MHz GPS : 1.57542 GHz
Antenna Type	WWAN : PIFA Antenna WLAN : PIFA Antenna Bluetooth : PIFA Antenna GPS : PIFA Antenna
Type of Modulation	GSM: GMSK GPRS: GMSK EDGE(MCS 0-4): GMSK/(MCS 5-9): 8PSK (Downlink Only) WCDMA: QPSK (Uplink) HSDPA: QPSK (Uplink) HSUPA: QPSK (Uplink) 802.11b : DSSS (DBPSK / DQPSK / CCK) 802.11g/n : OFDM (BPSK / QPSK / 16QAM / 64QAM) Bluetooth LE : GFSK Bluetooth (1Mbps) : GFSK Bluetooth (2Mbps) : $\pi/4$ -DQPSK Bluetooth (3Mbps) : 8-DPSK GPS : BPSK

1.5. Modification of EUT

No modifications are made to the EUT during all test items.



1.6. Test Location

Test Site	SPORTON INTERNATIONAL (SHENZHEN) INC.	
Test Site Location	1F & 2F, Building A, Morning Business Center, No. 4003 ShiGu Rd., Xili Town, Nanshan District, Shenzhen, Guangdong, P. R. China TEL: +86-755-8637-9589 FAX: +86-755-8637-9595	
Test Site No.	Sporton Site No.	
	CO01-SZ	

Test Site	SPORTON INTERNATIONAL (SHENZHEN) INC.	
Test Site Location	No. 3 Building, the third floor of south, Shahe River west, Fengzeyuan warehouse, Nanshan District, Shenzhen, Guangdong, P. R. China TEL: +86-755- 3320-2398	
Test Site No.	Sporton Site No.	FCC Registration No.
	03CH01-SZ	831040

1.7. Applicable Standards

According to the specifications of the manufacturer, the EUT must comply with the requirements of the following standards:

- ♦ FCC 47 CFR FCC Part 15 Subpart B
- ♦ ANSI C63.4-2009

Remark: All test items were verified and recorded according to the standards and without any deviation during the test.



2. Test Configuration of Equipment Under Test

2.1. Test Mode

The EUT has been associated with peripherals pursuant to ANSI C63.4-2009 and configuration operated in a manner tended to maximize its emission characteristics in a typical application.

Frequency range investigated: conduction (150 kHz to 30 MHz), radiation (30MHz to the 5th harmonic of the highest fundamental frequency or to 40 GHz, whichever is lower).

The following tables are showing the test modes as the worst cases and recorded in this report.

Item	EUT Configuration	Test Condition		
		EMI AC	EMI RE<1G	EMI RE≥1G
1.	Charging Mode (EUT with adapter)	<input checked="" type="checkbox"/>	<input checked="" type="checkbox"/>	Note 1
2.	Data application transferred mode (EUT connected with notebook)	<input checked="" type="checkbox"/>	<input checked="" type="checkbox"/>	<input checked="" type="checkbox"/>

Abbreviations:

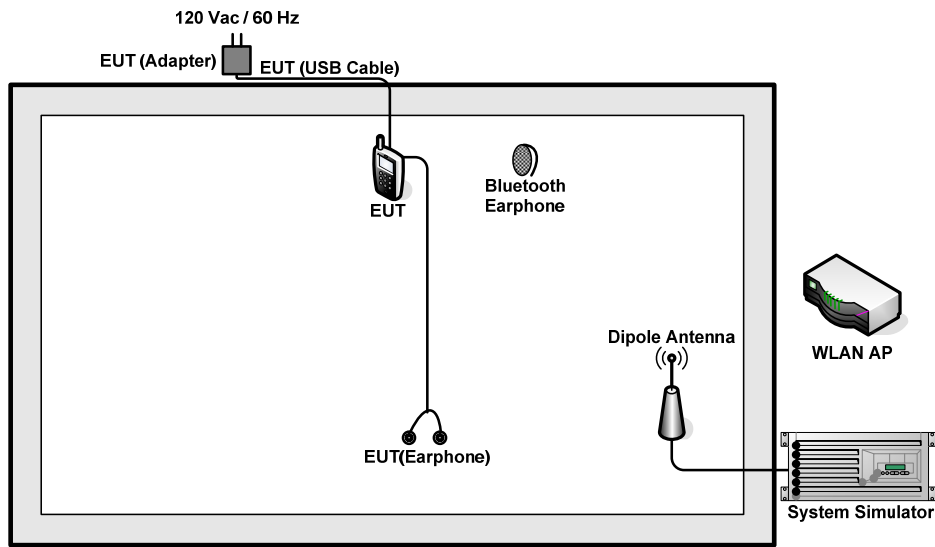
- EMI AC: AC conducted emissions
- EMI RE ≥ 1G: EUT radiated emissions ≥ 1GHz
- EMI RE < 1G: EUT radiated emissions < 1GHz

Note 1: Testing for this mode is not required or not the worst case.

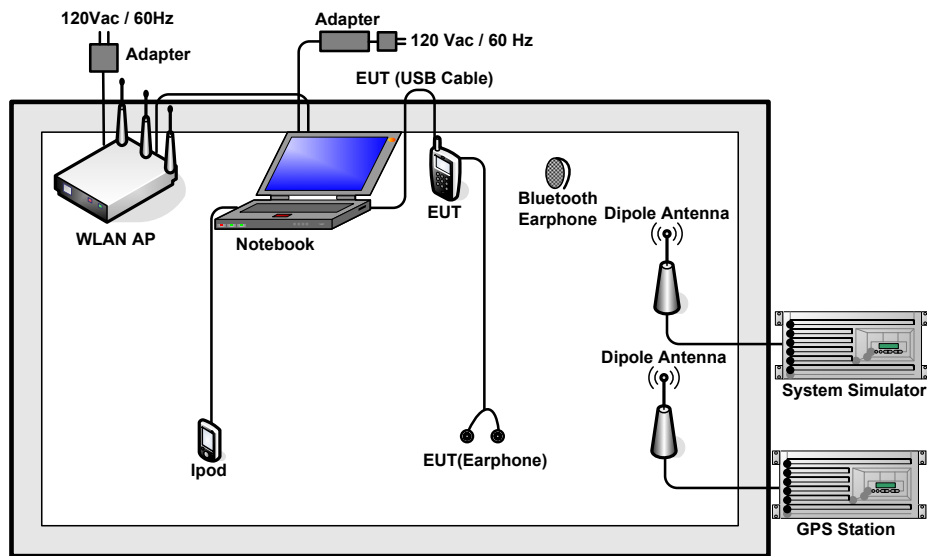
Remark: For signal above 1GHz, the worst case was test item 2.

Test Items	EUT Configure Mode	Function Type
AC Conducted Emission	1/2	Mode 1: GSM850 Idle + Bluetooth Idle + WLAN Idle + USB Cable (Charging from Adapter) + Earphone + Camera + SIM1<Fg.1> Mode 2: WCDMA Band II Idle + Bluetooth Idle + WLAN Idle + Earphone + USB Cable (Charging from Adapter) + MPEG4 + SIM1<Fg.1> Mode 3: WCDMA Band V Idle + Bluetooth Idle + WLAN Idle + USB Cable (Data Link with Notebook) + SIM1 + GPS Rx + Earphone<Fg.2>
Radiated Emissions < 1GHz	1/2	Mode 1: GSM850 Idle + Bluetooth Idle + WLAN Idle + USB Cable (Charging from Adapter) + Earphone + Camera + SIM1<Fg.1> Mode 2: WCDMA Band II Idle + Bluetooth Idle + WLAN Idle + Earphone + USB Cable (Charging from Adapter) + MPEG4 + SIM1<Fg.1> Mode 3: WCDMA Band V Idle + Bluetooth Idle + WLAN Idle + USB Cable (Data Link with Notebook) + SIM1 + GPS Rx + Earphone<Fg.2>
Radiated Emissions ≥ 1GHz	2	Mode 1: WCDMA Band V Idle + Bluetooth Idle + WLAN Idle + USB Cable (Data Link with Notebook) + SIM1 + GPS Rx + Earphone<Fg.2>
<p>Remark:</p> <ol style="list-style-type: none"> 1. The worst case of AC is mode 1; and the USB Link mode of AC is mode 3, the test data of these modes are reported. 2. The worst case of RE < 1G is mode 3; only the test data of this mode was reported. 3. Link with Notebook means data application transferred mode between EUT and Notebook. 		

2.2. Connection Diagram of Test System



<Fig.1>



<Fig.2>



2.3. Support Unit used in test configuration and system

Item	Equipment	Trade Name	Model Name	FCC ID	Data Cable	Power Cord
1.	System Simulator	R&S	CMU 200	N/A	N/A	Unshielded, 1.8 m
2.	GPS Station	ADIVIC	MP9000	N/A	N/A	Unshielded, 1.8 m
3.	WLAN AP	D-link	DIR-815	KA2IR815A1	N/A	Unshielded, 1.8 m
4.	WLAN AP	ASUSTek	RT-AC66U	MSQ-RTAC66U	N/A	Unshielded, 2.7m
5.	WLAN AP	D-link	DIR-615	N/A	N/A	Unshielded, 1.8m
6.	Bluetooth Earphone	Nokia	BH-108	PYAHS-107W	N/A	N/A
7.	Bluetooth Earphone	Lenovo	LBH301	N/A	N/A	N/A
8.	Notebook	Lenovo	E540	FCC DoC	N/A	AC I/P: Unshielded, 1.2m DC O/P: Shielded, 1.8 m
9.	SD Card	SanDisk	4G class 4	FCC DoC	N/A	N/A
10.	iPod	Apple	MC525 ZP/A	FCC DoC	Shielded, 1.0 m	N/A
11.	iPod nano 8GB	Apple	MC690 ZP/A	FCC DoC	Shielded, 1.2 m	N/A



2.4. EUT Operation Test Setup

The EUT was in GSM or WCDMA idle mode during the testing. The EUT was synchronized to the BCCH, and was in continuous receiving mode by setting system simulator's paging reorganization.

At the same time, the EUT was attached to the Bluetooth earphone or WLAN AP, and the following programs installed in the EUT were programmed during the test.

1. Data application is transferred between Notebook and EUT via USB cable.
2. Execute "GPS Test" to make the EUT receive continuous signals from GPS station.
3. Play MPEG4 files.
4. Turn on camera to capture images.

3. Test Result

3.1. Test of AC Conducted Emission Measurement

3.1.1 Limits of AC Conducted Emission

For equipment that is designed to be connected to the public utility (AC) power line, the radio frequency voltage that is conducted back onto the AC power line on any frequency or frequencies within the band 150 kHz to 30 MHz shall not exceed the limits in the following table.

Frequency of emission (MHz)	Conducted limit (dBuV)	
	Quasi-peak	Average
0.15-0.5	66 to 56*	56 to 46*
0.5-5	56	46
5-30	60	50

*Decreases with the logarithm of the frequency.

3.1.2 Measuring Instruments

The measuring equipment is listed in the section 4 of this test report.

3.1.3 Test Procedure

1. The EUT was placed 0.4 meter from the conducting wall of the shielding room was kept at least 80 centimeters from any other grounded conducting surface.
2. Connect EUT to the power mains through a line impedance stabilization network (LISN).
3. All the support units are connecting to the other LISN.
4. The LISN provides 50 ohm coupling impedance for the measuring instrument.
5. The FCC states that a 50 ohm, 50 microhenry LISN should be used.
6. Both sides of AC line were checked for maximum conducted interference.
7. The frequency range from 150 kHz to 30 MHz was searched.
8. Set the test-receiver system to Peak Detect Function and specified bandwidth (IF Bandwidth = 9kHz) with Maximum Hold Mode. Then measurement is also conducted by Average Detector and Quasi-Peak Detector Function respectively.

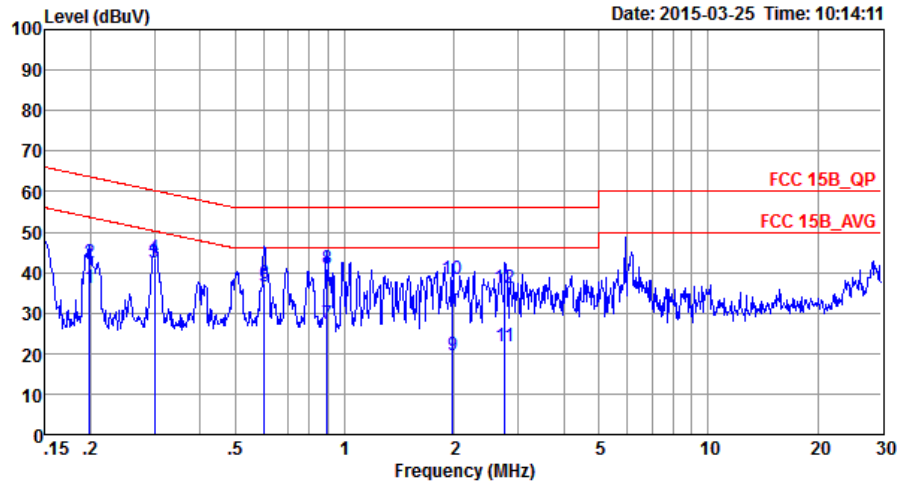
3.1.4 Test Setup





3.1.5 Test Result of AC Conducted Emission

Test Mode :	Mode 1	Temperature :	21~22°C
Test Engineer :	Jack Tian	Relative Humidity :	41~42%
Test Voltage :	120Vac / 60Hz	Phase :	Line
Function Type :	GSM850 Idle + Bluetooth Idle + WLAN Idle + USB Cable (Charging from Adapter) + Earphone + Camera + SIM1		

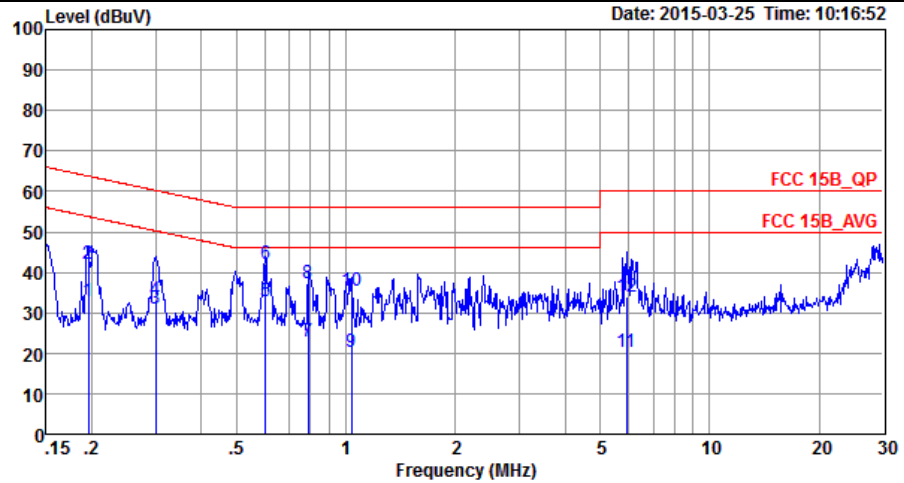


Site : C001-SZ
 Condition: FCC 15B_QP LISN_L_20140304 LINE
 Project : (FC)531211
 Mode : Mode 1

	Freq	Level	Over	Limit	Read	LISN	Cable	
	MHz	dBuV	Limit	Line	Level	Factor	Loss	Remark
			dB	dBuV	dBuV	dB	dB	
1	0.20	36.12	-17.55	53.67	25.60	0.22	10.30	Average
2	0.20	42.52	-21.15	63.67	32.00	0.22	10.30	QP
3 *	0.30	42.56	-7.68	50.24	32.10	0.26	10.20	Average
4	0.30	43.46	-16.78	60.24	33.00	0.26	10.20	QP
5	0.60	36.48	-9.52	46.00	26.10	0.23	10.15	Average
6	0.60	37.38	-18.62	56.00	27.00	0.23	10.15	QP
7	0.89	27.28	-18.72	46.00	16.90	0.23	10.15	Average
8	0.89	40.78	-15.22	56.00	30.40	0.23	10.15	QP
9	1.98	19.61	-26.39	46.00	9.20	0.22	10.19	Average
10	1.98	38.21	-17.79	56.00	27.80	0.22	10.19	QP
11	2.76	21.70	-24.30	46.00	11.20	0.29	10.21	Average
12	2.76	36.00	-20.00	56.00	25.50	0.29	10.21	QP



Test Mode :	Mode 1	Temperature :	21~22°C
Test Engineer :	Jack Tian	Relative Humidity :	41~42%
Test Voltage :	120Vac / 60Hz	Phase :	Neutral
Function Type :	GSM850 Idle + Bluetooth Idle + WLAN Idle + USB Cable (Charging from Adapter) + Earphone + Camera + SIM1		

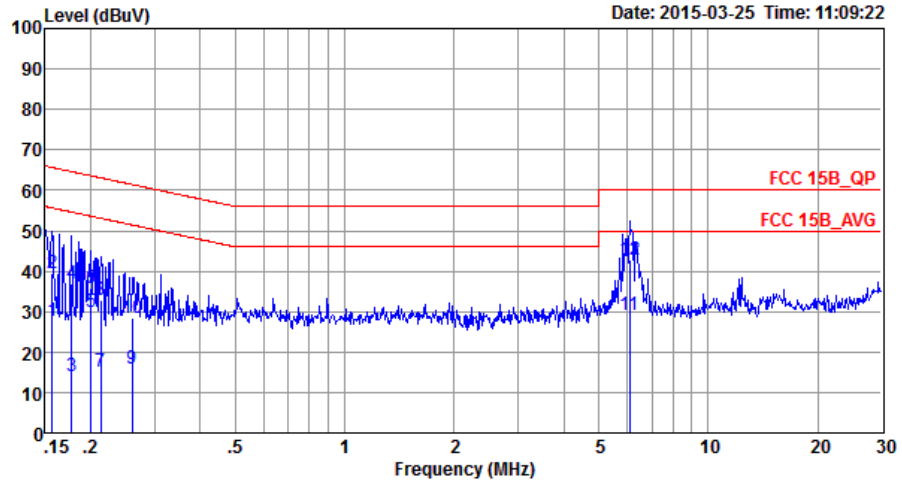


Site : C001-SZ
 Condition: FCC 15B_QP LISN_N_20140304 NEUTRAL
 Project : (FC)531211
 Mode : Mode 1

	Freq	Level	Over Limit	Limit Line	Read Level	LISN Factor	Cable Loss	Remark
	MHz	dBuV	dB	dBuV	dBuV	dB	dB	
1	0.20	32.92	-20.88	53.80	22.30	0.32	10.30	Average
2	0.20	42.22	-21.58	63.80	31.60	0.32	10.30	QP
3	0.30	31.06	-19.18	50.24	20.50	0.36	10.20	Average
4	0.30	33.16	-27.08	60.24	22.60	0.36	10.20	QP
5 *	0.60	32.67	-13.33	46.00	22.20	0.32	10.15	Average
6	0.60	42.07	-13.93	56.00	31.60	0.32	10.15	QP
7	0.79	22.93	-23.07	46.00	12.50	0.28	10.15	Average
8	0.79	37.33	-18.67	56.00	26.90	0.28	10.15	QP
9	1.04	20.38	-25.62	46.00	9.90	0.33	10.15	Average
10	1.04	35.48	-20.52	56.00	25.00	0.33	10.15	QP
11	5.90	20.33	-29.67	50.00	9.60	0.47	10.26	Average
12	5.90	33.83	-26.17	60.00	23.10	0.47	10.26	QP



Test Mode :	Mode 3	Temperature :	21~22°C
Test Engineer :	Jack Tian	Relative Humidity :	41~42%
Test Voltage :	120Vac / 60Hz	Phase :	Line
Function Type :	WCDMA Band V Idle + Bluetooth Idle + WLAN Idle + USB Cable (Data Link with Notebook) + SIM1 + GPS Rx + Earphone		

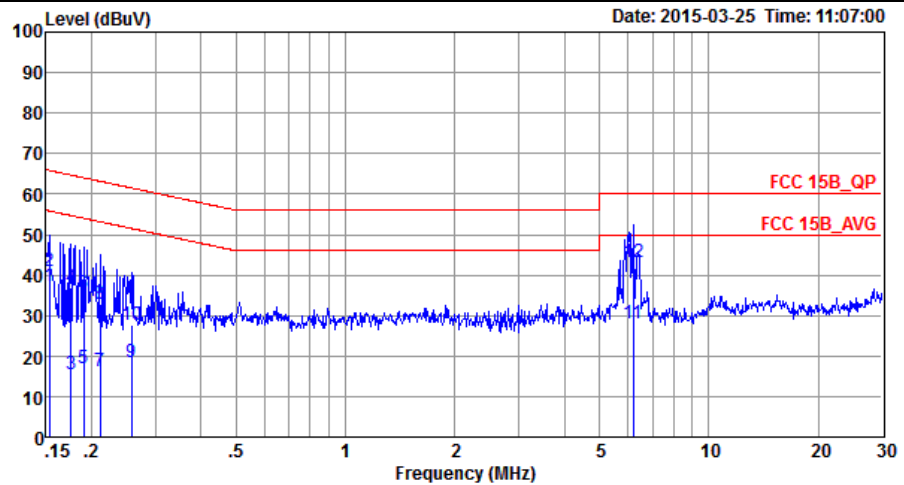


Site : CO01-SZ
 Condition: FCC 15B_QP LISN_L_20140304 LINE
 Project : (FC)531211
 Mode : Mode 3

	Freq	Level	Over Limit	Limit Line	Read Level	LISN Factor	Cable Loss	Remark
	MHz	dBuV	dB	dBuV	dBuV	dB	dB	
1	0.16	27.67	-27.98	55.65	17.10	0.22	10.35	Average
2	0.16	39.57	-26.08	65.65	29.00	0.22	10.35	QP
3	0.18	13.84	-40.75	54.59	3.30	0.22	10.32	Average
4	0.18	36.84	-27.75	64.59	26.30	0.22	10.32	QP
5	0.20	30.01	-23.57	53.58	19.50	0.22	10.29	Average
6	0.20	35.91	-27.67	63.58	25.40	0.22	10.29	QP
7	0.21	15.11	-37.99	53.10	4.60	0.23	10.28	Average
8	0.21	32.91	-30.19	63.10	22.40	0.23	10.28	QP
9	0.26	15.98	-35.44	51.42	5.51	0.24	10.23	Average
10	0.26	28.38	-33.04	61.42	17.91	0.24	10.23	QP
11	6.09	29.26	-20.74	50.00	18.60	0.40	10.26	Average
12 *	6.09	42.86	-17.14	60.00	32.20	0.40	10.26	QP



Test Mode :	Mode 3	Temperature :	21~22°C
Test Engineer :	Jack Tian	Relative Humidity :	41~42%
Test Voltage :	120Vac / 60Hz	Phase :	Neutral
Function Type :	WCDMA Band V Idle + Bluetooth Idle + WLAN Idle + USB Cable (Data Link with Notebook) + SIM1 + GPS Rx + Earphone		



Site : CO01-SZ
 Condition: FCC 15B_QP LISN_N_20140304 NEUTRAL
 Project : (FC)531211
 Mode : Mode 3

	Freq	Level	Over Limit	Limit Line	Read Level	LISN Factor	Cable Loss	Remark
	MHz	dBuV	dB	dBuV	dBuV	dB	dB	
1	0.15	37.18	-18.64	55.82	26.49	0.33	10.36	Average
2	0.15	40.88	-24.94	65.82	30.19	0.33	10.36	QP
3	0.18	15.55	-39.13	54.68	4.91	0.32	10.32	Average
4	0.18	37.05	-27.63	64.68	26.41	0.32	10.32	QP
5	0.19	16.93	-37.09	54.02	6.30	0.32	10.31	Average
6	0.19	35.43	-28.59	64.02	24.80	0.32	10.31	QP
7	0.21	16.21	-36.93	53.14	5.60	0.33	10.28	Average
8	0.21	33.01	-30.13	63.14	22.40	0.33	10.28	QP
9	0.26	18.38	-33.13	51.51	7.80	0.34	10.24	Average
10	0.26	27.58	-33.93	61.51	17.00	0.34	10.24	QP
11	6.19	28.12	-21.88	50.00	17.40	0.46	10.26	Average
12 *	6.19	43.32	-16.68	60.00	32.60	0.46	10.26	QP



3.2. Test of Radiated Emission Measurement

3.2.1. Limit of Radiated Emission

The emissions from an unintentional radiator shall not exceed the field strength levels specified in the following table:

Frequency (MHz)	Field Strength (microvolts/meter)	Measurement Distance (meters)
30 – 88	100	3
88 – 216	150	3
216 - 960	200	3
Above 960	500	3

3.2.2. Measuring Instruments

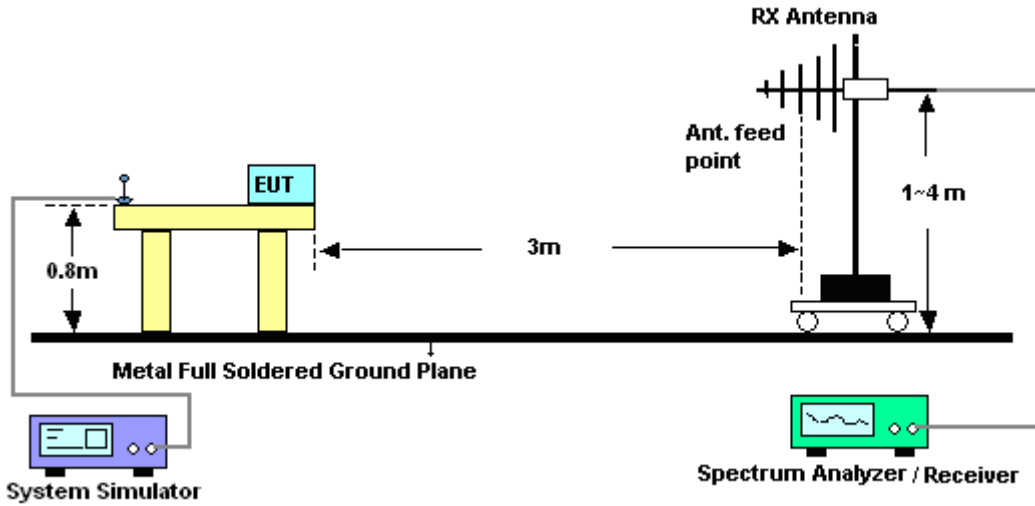
The measuring equipment is listed in the section 4 of this test report.

3.2.3. Test Procedures

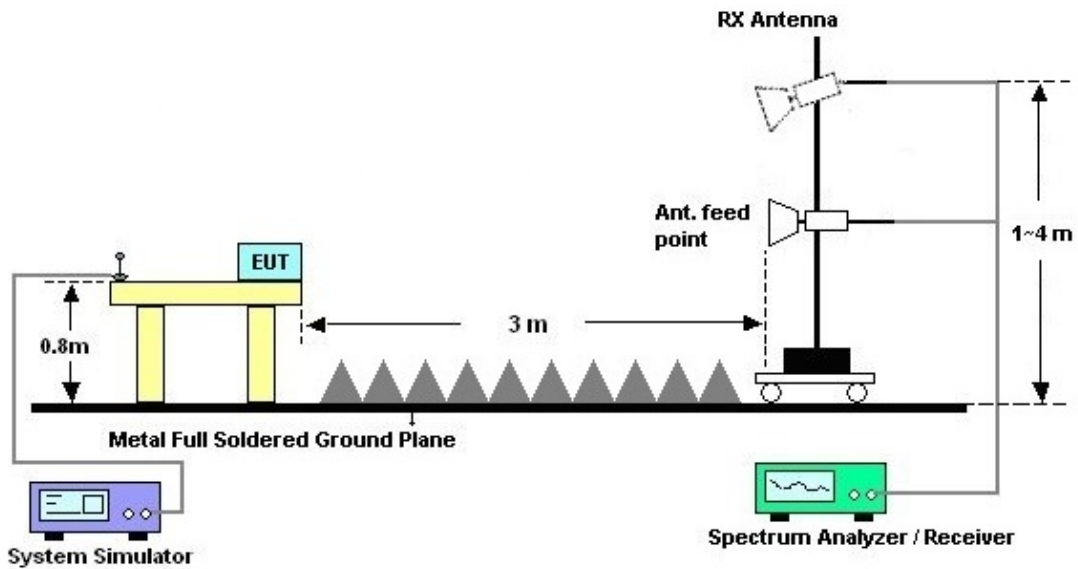
1. The EUT was placed on a turntable with 0.8 meter above ground.
2. The EUT was set 3 meters from the interference receiving antenna, which was mounted on the top of a variable height antenna tower.
3. The table was rotated 360 degrees to determine the position of the highest radiation.
4. The antenna is a Bi-Log antenna and its height is adjusted between one to four meters above ground to find the maximum value of the field strength for both horizontal polarization and vertical polarization of the antenna.
5. For each suspected emission, the EUT was arranged to its worst case and then tune the antenna tower (from 1 m to 4 m) and turntable (from 0 degree to 360 degrees) to find the maximum reading.
6. Set the test-receiver system to Peak Detect Function and specified bandwidth with Maximum Hold Mode (RBW=120kHz/VBW=300kHz for frequency below 1GHz; RBW=1MHz VBW=3MHz (Peak), RBW=1MHz/VBW=10Hz (Average) for frequency above 1GHz).
7. If the emission level of the EUT in peak mode was 3 dB lower than the limit specified, peak values of EUT will be reported. Otherwise, the emission will be repeated by using the quasi-peak method and reported.
8. Emission level (dBµV/m) = 20 log Emission level (µV/m)
9. Corrected Reading: Antenna Factor + Cable Loss + Read Level - Preamp Factor = Level

3.2.4. Test Setup of Radiated Emission

For radiated emissions from 30MHz to 1GHz



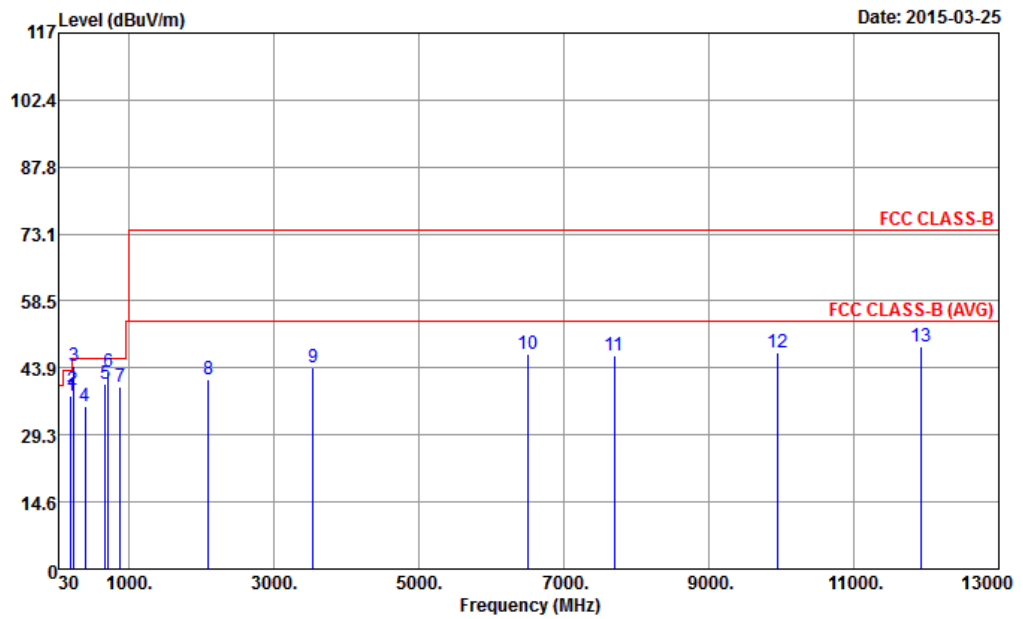
For radiated emissions above 1GHz





3.2.5. Test Result of Radiated Emission

Test Mode :	Mode 3	Temperature :	23~25°C
Test Engineer :	Gavin Zhang	Relative Humidity :	48~52%
Test Distance :	3m	Polarization :	Horizontal
Function Type :	WCDMA Band V Idle + Bluetooth Idle + WLAN Idle + USB Cable (Data Link with Notebook) + SIM1 + GPS Rx + Earphone		
Remark :	#7 is system simulator signal which can be ignored.		

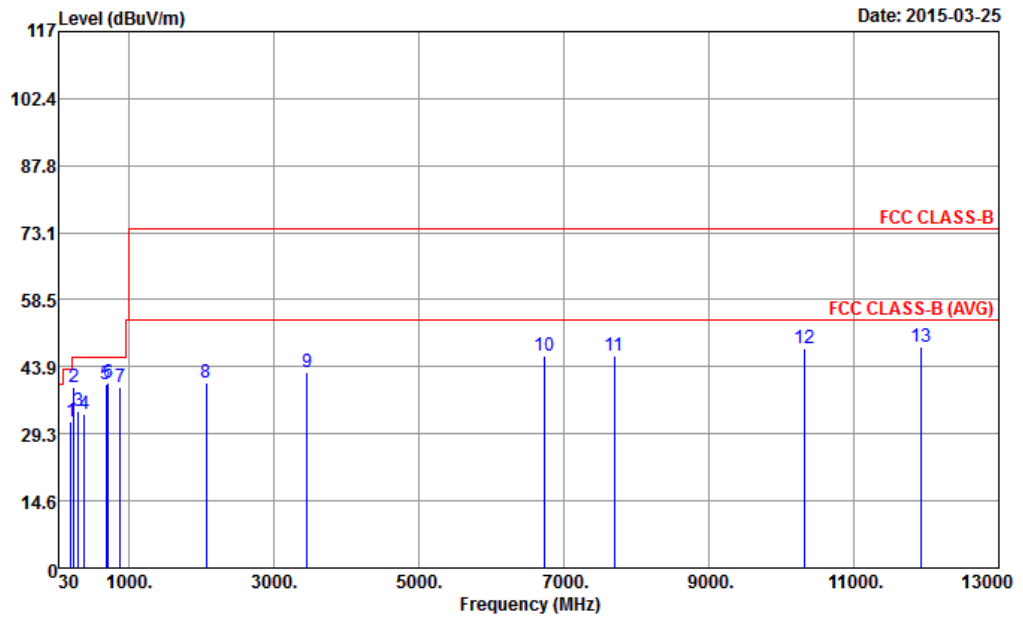


Site : 03CH01-SZ
 Condition : FCC CLASS-B 3m LF_ANT_141107 HORIZONTAL
 Project : (FC) 531211
 Mode : Mode 3

	Freq	Level	Over	Limit	ReadAntenna	Cable	Preamp	A/Pos	T/Pos	Remark	
	MHz	dBuV/m	Limit	Line	Level	Factor	Loss	Factor	cm	deg	
1	199.83	37.65	-5.85	43.50	49.10	11.60	2.20	25.25	---	---	Peak
2	228.72	39.19	-6.81	46.00	49.96	12.06	2.36	25.19	---	---	Peak
3	240.06	44.35	-1.65	46.00	54.83	12.25	2.43	25.16	104	61	QP
4	400.10	35.65	-10.35	46.00	42.85	15.44	3.18	25.82	---	---	Peak
5	675.90	40.40	-5.60	46.00	42.43	20.15	4.21	26.39	---	---	Peak
6	720.00	43.12	-2.88	46.00	44.38	20.73	4.34	26.33	100	49	QP
7	881.66	39.84			39.11	21.77	4.89	25.93	---	---	Peak
8	2100.00	41.34	-32.66	74.00	51.85	32.30	8.10	50.91	---	---	Peak
9	3536.00	43.90	-30.10	74.00	49.88	33.43	11.07	50.48	---	---	Peak
10	6502.00	46.79	-27.21	74.00	46.40	36.30	14.41	50.32	---	---	Peak
11	7696.00	46.73	-27.27	74.00	45.56	36.38	15.46	50.67	---	---	Peak
12	9946.00	47.33	-26.67	74.00	41.15	38.04	18.06	49.92	---	---	Peak
13	11918.00	48.46	-25.54	74.00	40.57	39.45	18.41	49.97	100	230	Peak



Test Mode :	Mode 3	Temperature :	23~25°C
Test Engineer :	Gavin Zhang	Relative Humidity :	48~52%
Test Distance :	3m	Polarization :	Vertical
Function Type :	WCDMA Band V Idle + Bluetooth Idle + WLAN Idle + USB Cable (Data Link with Notebook) + SIM1 + GPS Rx + Earphone		
Remark :	#7 is system simulator signal which can be ignored.		



Site : 03CH01-SZ
 Condition : FCC CLASS-B 3m LF_ANT_141107 VERTICAL
 Project : (FC) 531211
 Mode : Mode 3

	Freq	Level	Over	Limit	ReadAntenna	Cable	Preamp	A/Pos	T/Pos	Remark
	MHz	dBuV/m	Limit	Line	Level	Loss	Factor	cm	deg	
1	199.83	31.98	-11.52	43.50	43.43	11.60	2.20	25.25	---	Peak
2	240.06	39.48	-6.52	46.00	49.96	12.25	2.43	25.16	---	Peak
3	298.65	34.11	-11.89	46.00	42.35	14.07	2.73	25.04	---	Peak
4	389.60	33.69	-12.31	46.00	41.02	15.27	3.14	25.74	---	Peak
5	688.50	40.04	-5.96	46.00	41.91	20.23	4.28	26.38	---	Peak
6	720.00	40.48	-5.52	46.00	41.74	20.73	4.34	26.33	100	253 QP
7	881.66	39.42			38.69	21.77	4.89	25.93	---	Peak
8	2066.00	40.47	-33.53	74.00	51.08	32.27	8.07	50.95	---	Peak
9	3460.00	42.77	-31.23	74.00	48.96	33.38	10.85	50.42	---	Peak
10	6732.00	46.21	-27.79	74.00	46.03	36.21	14.54	50.57	---	Peak
11	7700.00	46.41	-27.59	74.00	45.24	36.38	15.46	50.67	---	Peak
12	10310.00	47.79	-26.21	74.00	42.22	38.35	17.46	50.24	---	Peak
13	11920.00	48.13	-25.87	74.00	40.24	39.45	18.41	49.97	200	360 Peak



4. List of Measuring Equipment

Instrument	Manufacturer	Model No.	Serial No.	Characteristics	Calibration Date	Test Date	Due Date	Remark
EMI TEST Receiver	R&S	ESCI7	100768	9kHz~3GHz	May 04, 2014	Mar. 25, 2015	May 03, 2015	Radiation (03CH01-SZ)
Spectrum Analyzer	Agilent Technologies	N9038A	MY52260185	20Hz~26.5GHz	May 26, 2014	Mar. 25, 2015	May 25, 2015	Radiation (03CH01-SZ)
Bilog Antenna	TESEQ	CBL 6112D	37877	30MHz~2GHz	Oct. 15, 2014	Mar. 25, 2015	Oct. 14, 2015	Radiation (03CH01-SZ)
Double Ridge Horn Antenna	ETS Lindgren	3117	00119436	1GHz~18GHz	Oct. 15, 2014	Mar. 25, 2015	Oct. 14, 2015	Radiation (03CH01-SZ)
Amplifier	com-power	PA-103A	161069	1~1000MHz	May 04, 2014	Mar. 25, 2015	May 03, 2015	Radiation (03CH01-SZ)
Amplifier	Yiai	AV3860B	04030	2GHz~26.5GHz	May 08, 2014	Mar. 25, 2015	May 07, 2015	Radiation (03CH01-SZ)
AC Source	Chroma	61601ACSOU RCE	616010002470	100Vac~240Vac	NCR	Mar. 25, 2015	NCR	Radiation (03CH01-SZ)
Turn Table	EM Electronics	EM 1000	N/A	0~360 degree	NCR	Mar. 25, 2015	NCR	Radiation (03CH01-SZ)
Antenna Mast	EM Electronics	EM 1000	N/A	1 m~4 m	NCR	Mar. 25, 2015	NCR	Radiation (03CH01-SZ)
EMI TEST Receiver	R&S	ESCI7	100768	9kHz~3GHz	May 04, 2014	Mar. 25, 2015	May 03, 2015	Conduction (CO01-SZ)
AC LISN	EMCO	3816/2SH	00103912	9kHz~30MHz	Feb. 02, 2015	Mar. 25, 2015	Feb. 01, 2016	Conduction (CO01-SZ)
AC LISN (for auxiliary equipment)	EMCO	3816/2SH	00103892	9kHz~30MHz	Feb. 02, 2015	Mar. 25, 2015	Feb. 01, 2016	Conduction (CO01-SZ)
AC Power Source	Chroma	61602	616020000891	100Vac~250Vac	Sep. 29, 2014	Mar. 25, 2015	Sep. 28, 2015	Conduction (CO01-SZ)



5. Uncertainty of Evaluation

Uncertainty of Conducted Emission Measurement (150 kHz ~ 30 MHz)

Measuring Uncertainty for a Level of Confidence of 95% ($U = 2Uc(y)$)	2.3dB
---	-------

Uncertainty of Radiated Emission Measurement (30 MHz ~ 1000 MHz)

Measuring Uncertainty for a Level of Confidence of 95% ($U = 2Uc(y)$)	3.9dB
---	-------