
WD210P

User Manual

The information contained in this User Manual is written for the **WD210P**. The contents of this document are provided "as is". Except as required by applicable law, no warranties of any kind, either express or implied, including, but not limited to, the implied warranties of merchantability and fitness for a particular purpose, are made in relation to the accuracy, reliability or contents of this document. **WD210P**, Ltd reserves the right to make changes and improvements to the products and any of the features of the products described in this document without prior notice.

Under no circumstances shall **WD210P** be responsible for any loss of data or income or any special, incidental, consequential or indirect damages howsoever caused.

Note:

Some services and functions in this User Manual may not be supported by all networks, such as 112, the international emergency call number.

Please contact the network operator or service provider for clarifications on how to use specific services/functions.

The availability of particular products may vary by region. Please check with the **WD210P** dealer nearest to you.

This device may contain commodities, technology or software subject to export laws and regulations from the US and other countries. Diversion contrary to law is prohibited.

When using the features in this device, obey all laws and respect privacy and legitimate rights of others.

Please read "Important Safety Information" and "Limited Warranty" chapters prior to the use of the mobile phone.

Contents

IMPORTANT SAFETY INFORMATION	4
1 GETTING STARTED	7
1.1 SIM CARD AND BATTERY	7
1.2. CHARGING THE BATTERY	10
1.3. YOUR PHONE	11
1.4. DEFINITION OF BUTTONS	12
1.5 STATUS ICONS	14
1.6 LED STATUS	15
2 BASIC FUNCTIONS	16
2.1 SWITCH THE PHONE ON/OFF	16
2.2 MAKING A CALL	16
2.3 RECEIVING A CALL	17
2.4 REJECT CALLS	17
2.5 IN-CALL OPTIONS	17
2.6 CONNECTING TO PC	19
3 IDLE MODE AND MAIN MENU	20
3.1 LOG	20
3.2 PHONE BOOK	21
3.3 ACCESSORY	23
3.4 SETTINGS	25
3.5 SMS	28
3.6 SIM TOOLKIT	31
4 REFERENCE INFORMATION	33
5 ACCESSORIES	35
6 TROUBLESHOOTING	36
7 CARE AND MAINTENANCE	37
8 EUROPEAN RF EXPOSURE INFORMATION	39

Important Safety Information

◆ Emergency Services

To make an emergency call in any country

- Ensure that your phone is switched on and in service.
- Press 112 followed by the Send key.
- Follow the instructions and do not end the call until told to do so.
- Tell the operator which service you require: Police, Ambulance, Fire Brigade, Coastguard or Mountain Rescue Service. Give your location and, if possible, remain where you are to maintain contact.
- The 112 emergency number service is available on every digital network service.
- Due to the nature of the cellular system, connection to emergency calls cannot be guaranteed.

◆ Safety

The use of mobile phones is not allowed in some radiation-sensitive areas, such as hospitals, research centers and aircraft. Ensure that you switch off your phone in these areas. If in doubt, remove the battery (it must be on the device power off status).

⚠ **Note:** Do not remove the battery on the device power on status. If you remove the battery on the device power on status, it is dangerous and may explode.

⚠ **Note:** The manufacturer is not responsible for any Radio or TV interference caused by unauthorized modifications to this equipment. Such modifications could void the user's authority to operate the equipment.

◆ Aircraft safety

Switch off your phone and remove its battery (it must be on the device power off status. If you remove the battery on the device power on status, it is dangerous and may explode) when inside or near an aircraft. The use of phones in aircraft is illegal. It may be dangerous to the operation of the aircraft and it may interfere with aircraft's equipment. Failure to observe this instruction may lead to suspension or denial of mobile network services to the offender or legal action or both. Do not use the phone on the ground without the permission of the ground staff.

◆ Hospital safety

Switch off your phone and remove its battery (it must be on the device power off status. If you remove the battery on the device power on status, it is dangerous and may explode) in areas where the use of phones is prohibited.

Follow the instructions given by the respective medical centre regarding the use of mobile phones on their premises.

◆ General safety

-
- Observe “Turn off mobile” signs, such as those near petrol stations, chemicals or explosives and switch off your phone.
 - If you have a heart condition, be careful with the tone volume settings.
 - Do not allow children to play with the phone, charger or batteries.
 - Do not allow children to touch the small fittings. Otherwise, suffocation or gullet jam can be caused if children swallow the small fittings.
 - Keep all SIM cards out of the reach of small children.
 - Do not use the phone where blasting is in progress.
 - The operation of some medical electronic devices, such as hearing aids and pacemakers, may be affected if you use a mobile phone next to them. Observe any warning signs and the manufacturer's recommendations.
 - Your phone contains metal which may cause a skin irritation, a rash or eczema. If you feel uncomfortable (such as skin irritation, rash or eczema), please go to see a doctor immediately.
 - Do not place sharp metal objects such as pins near the earpiece. The earpiece may attract these objects and hurt you when you are using the wireless device.
 - Do not turn on or off the wireless device when it is near your ear to avoid negative impact on your health.
 - If you feel uncomfortable (such as falling sick or qualm) after playing on your wireless device for a long time, please go to see a doctor immediately.
 - On a thunder stormy day, do not use your wireless device outdoors.
 - The wireless device may interfere nearby TV sets and radios.
 - Do not remove or replace the battery on the device power on status. If you remove or replace the battery on the device power on status, it is dangerous and may explode.

◆ **Road safety**

- You must exercise proper control of your vehicle at all times. Give your full attention to driving.
- Observe all local safety regulations regarding the use of mobile phones while driving.
- Push off the road and park before making or answering a call.
- You must not stop on the hard shoulder of a motorway to answer or make a call, except in an emergency.
- Switch off your phone at a refueling point, such as a petrol station, even if you are not refueling your own car.
- Do not store or carry flammable or explosive materials in the same compartment as a radio transmitter.
- Electronic vehicle systems, such as anti-lock brakes, speed control and fuel injection systems are not normally affected by radio transmissions. The manufacturer of such equipment can advise if it is

adequately shielded from radio transmissions. If you suspect vehicle problems caused by radio transmissions, consult your dealer and do not switch on the phone until it has been checked by qualified installers.

- Check if local laws and/or regulations restrict the use of phones while driving.

◆ **Vehicles equipped with an airbag**

An airbag inflates with great force. Do not place objects, including either installed or portable wireless equipment, in the area over the airbag or in the airbag deployment area. If vehicle wireless equipment is improperly installed and the airbag inflates, serious injury could result.

◆ **Third party equipment**

The use of third party equipment, batteries, cables or accessories, not made or authorized by **WD210P** may invalidate the warranty of your phone and also adversely affect the phone's operation.

◆ **Service**

The phone, batteries and charger contain no user-serviceable parts. We recommend that your phone is serviced or repaired by a **WD210P** authorized service center. Please contact your service provider for more information.

◆ **Efficient use**

The phone has an antenna. For optimum performance with minimum power consumption, please do not cover the antenna area with your hand. Covering the antenna affects call quality, may cause the phone to operate at higher power levels than needed and may shorten talk and standby times.

1 Getting started

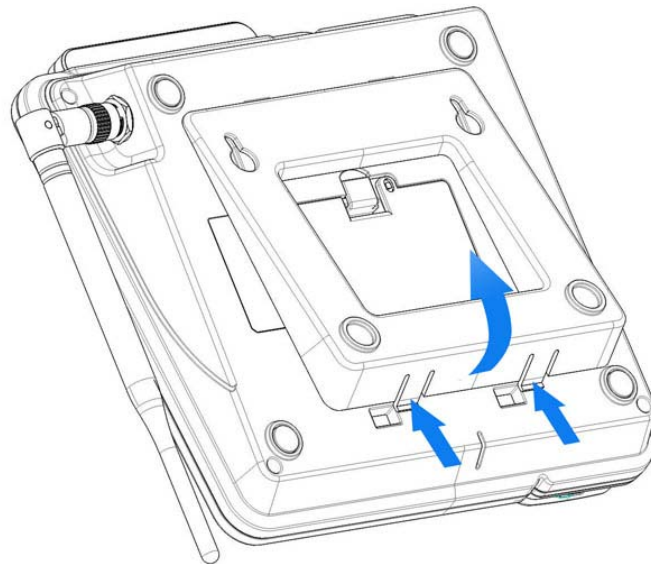
1.1 SIM card and Battery

The Service Provider supplies you with a SIM card on which you can store your important phone numbers and other personal data.

⚠ **Note:** When inserting or removing the SIM card, you must disconnect the handset with the power adapter.

◆ Inserting the SIM card

1. Remove the pedestal of the phone – press the lock and then lift the pedestal up as shown in Fig. 1;



2. Remove the back cover of the phone – press the lock and then lift the back cover up as shown in Fig. 2;

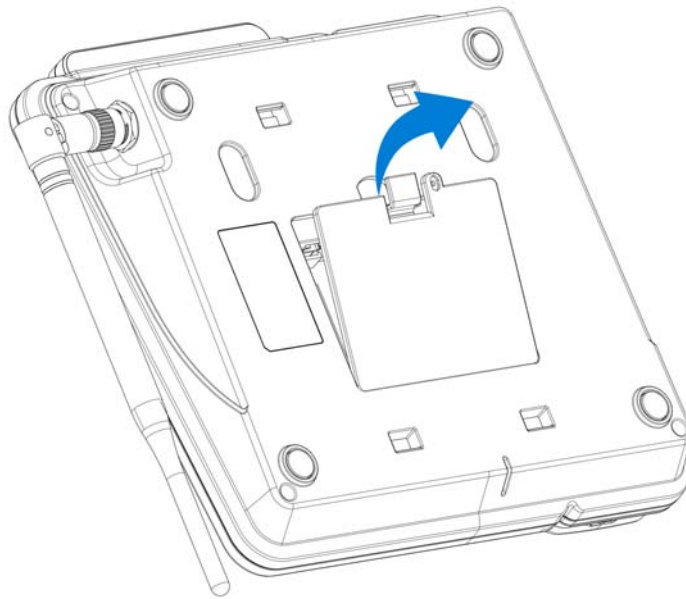


Fig. 2

3. Remove the battery by lifting it up from the side part as shown in Fig. 3;

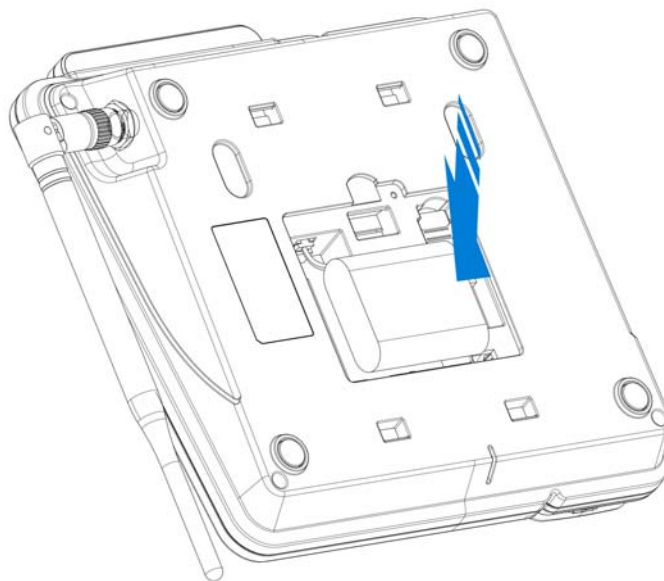


Fig. 3

4. Insert SIM card into the slot in the right side with the gold-colored part touching the SIM contacts of the phone as shown in Fig. 4;

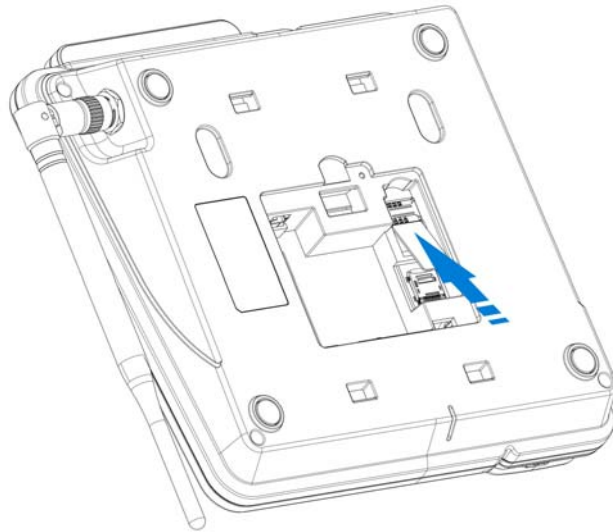
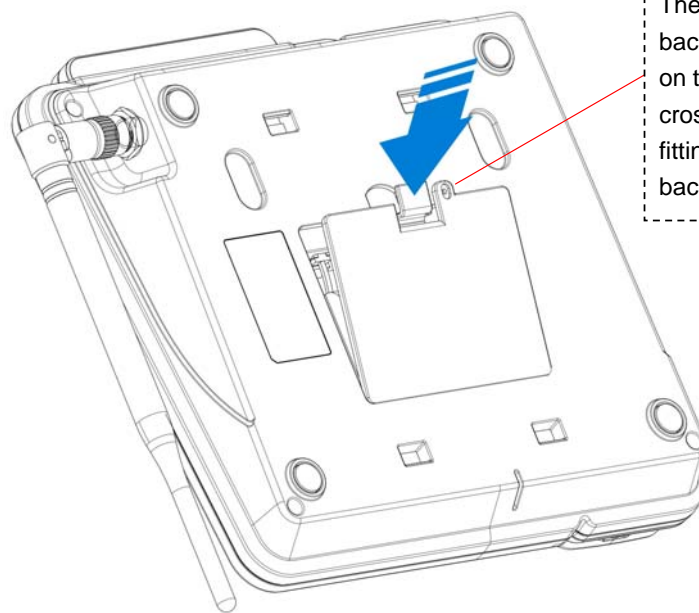


Fig. 4

5. Insert the back cover starting from the top part then push it into place as shown in Fig. 5;



There is a screw in the back cover, you can fit on the screw by the right cross screwdriver. After fitting on the screw, the back cover will be firm.

Fig. 5

⚠ Note: The SIM card and its contacts can easily be damaged by scratches or bending, so be careful when handling, inserting, or removing the card.

◆ **Battery Performance and Maintenance**

- Your phone is powered by the charger or a suit of Ni-MH rechargeable battery. When use your phone on normally state, suggest keeping the charger plug in.

-
- Your new battery will achieve its maximum performance after two to three full charge-discharge cycles.
 - The battery can be charged and discharged hundred of times until it wears out. When talk time and standby time are noticeably shorter than normal, it is time to replace the battery.
 - A fully charged battery will gradually discharge when the phone is not in use.
 - Use only batteries approved by **WD210P** and recharge your battery using only chargers approved by **WD210P**.

1.2. Charging the battery

◆ Charging the battery

1. The charger connector is located on the top of the phone. Plug in the charger connector to the phone and then plug the other end of the charger to the AC outlet.
2. Your phone can be charged while switched on.
3. When the phone is charged, a battery icon will flash on the screen with battery capacity level indicator gradually increasing. The battery icon will stop flashing when the battery is already fully charged.

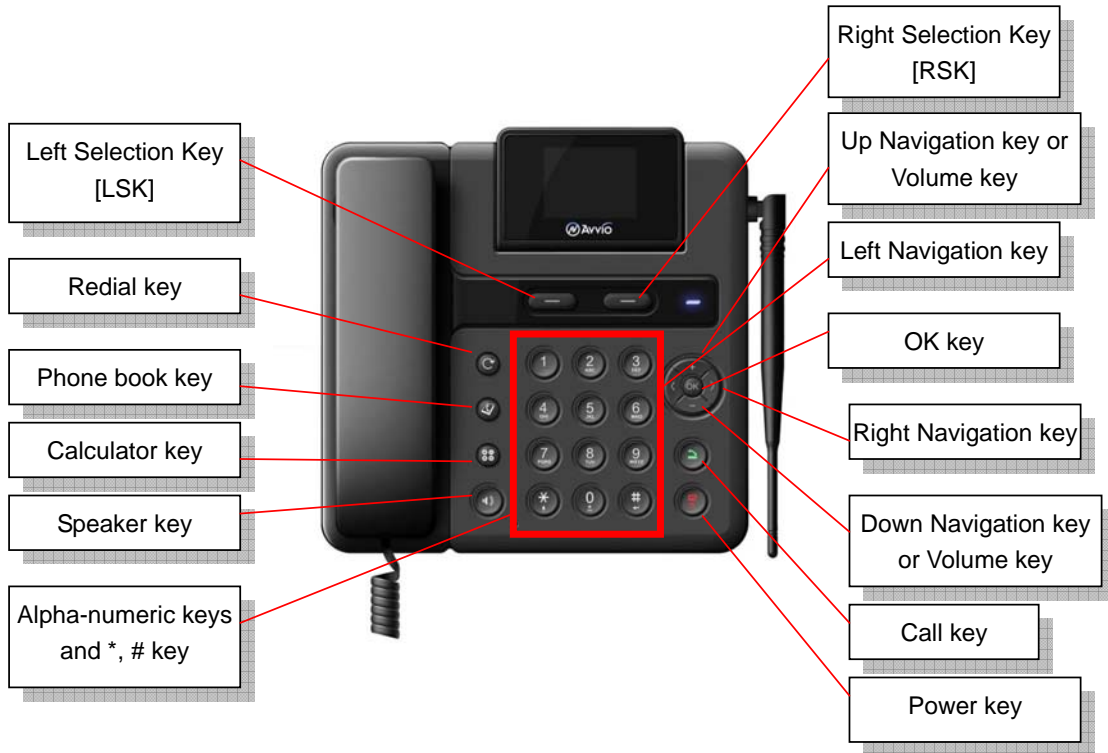
⚠ Note: Do not remove or replace the battery on the device power on status. If you remove or replace the battery on the device power on status, it is dangerous and may explode.

1.3. Your phone



- 1). When there is no calling exist, if users take up the earpiece, it should lighten the LED and send out the dialing tone.
- 2). When there is no calling exist and incoming, if user take up the earpiece, it should answer the incoming.
- 3). When calling and the sound path is not speaker, user put down the earpiece, it should hang up the calling.
- 4). When calling and the sound path is speaker, user put down the earpiece, the calling should be not hung up.

1.4. Definition of Buttons









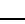
Selection keys (Each key can be assigned with a function)	Left Selection Key [LSK]	Idle mode: Performs the function shown directly above the button Long press to lock keypad Menu mode: Press to enter the menu of the selected function Editing mode: Press to enter the menu of the selected function
	Right Selection Key [RSK]	Idle mode: Performs the function shown directly above the button Menu mode: Press to go back to previous screen Editing mode: Clears the character to the left of the cursor when there is character, press to go back to previous screen when there is no character
OK key		Idle mode: Press to open Main Menu Menu mode: Press to select a function or command
Navigation keys	Up navigation key	Idle mode: Press to open the function assigned to the button Menu mode: Move upward to highlight a menu item Editing mode: Move cursor upward in a text field Control the volume of the earpiece and loudspeaker.
	Down navigation key	Idle mode: Press to open the function assigned to the button Menu mode: Move downward to highlight a menu item Editing mode: Move cursor downward in a text field Control the volume of the earpiece and loudspeaker.
	Left navigation key	Idle mode: Press to open the function assigned to the button Editing mode: Move cursor to the left in a text field
	Right navigation key	Idle mode: Press to open the function assigned to the button Editing mode: Move cursor to the right in a text field
Call key		Idle mode: Press to open All Calls list function Dialing and incoming call mode: Dial or Accept calls
Power key		Back to Idle Screen, and press and hold to switch on and off the phone
Redial key		Redial call. It is only valid on idle screen, other screen, it is no function.
Phonebook key		Open the phonebook. It is only valid on idle screen, other screen, it is no function
Calculator key		Open the calculator. It is only valid on idle screen, other screen, it

	is no function.
Speaker key	<p>1. When there is no calling exist and incoming call, user press the speaker key, it should answer the incoming.</p> <p>2. When calling and the earpiece is not taken up, user press the speaker key, it should hang up the calling.</p> <p>3. When calling and the earpiece is taken up and the sound path is not speaker, user press the speaker key, it should switch the sound path to the speaker. Then user press the speaker key again, the sound path should be switch to the earpiece.</p> <p>4. When there is no calling exist, if user press the speaker key, it should lighten the LED and send out the busying sound.</p>
Alpha-numeric keys	<p>Idle mode: Press to enter numbers and characters</p> <p>Call Mode: Press and Hold [Number keys 1 to 9] to fast dial the number or contact that you set</p> <p>[Number key 0] to input “+” and start dialing an international number</p> <p>Menu mode: Press to enter into the corresponding menu option</p> <p>Editing mode: Press to enter numbers, letters, or symbols</p>
* key	<p>Idle mode: Press it to input “**”</p> <p>Edit mode: Press to change the text input mode</p>
# key	<p>Idle mode: Press to input “#”,</p> <p>Press and hold to insert pause “P” character for special dialing</p> <p>Editing mode: Press to display list of symbols</p>

1.5 Status Icons



SN	Meaning	Simple description	Icon
1	Battery status	Low power	
		Battery charge level	
		Charging status	
2	SMS status	Unread SMS	
		Unsent SMS	
		SMS Inbox is full	

3	Call divert	Call divert opened	
4	Roaming	Roaming status	
5	USB connection	USB cable connected	
6	Strength of network signal	No service or No SIM card inserted	
		Signal strength, 3G network	
		Signal strength, GSM network without GPRS	
		Signal strength, GSM network with GPRS	

1.6 LED status

SN	Meaning	LED status
1	There is Missed call, New SMS or Alarm remind icon in idle screen	Twinkle as blue every 2 seconds
2	During the power on process	Light as blue
3	Speaker is on	Light as blue
4	Earpiece is taken up	Light as blue
5	Low battery	Twinkle as blue every 2 seconds

2 Basic Functions

2.1 Switch the phone On/Off

Press and hold the Power button for approximately 3 seconds to turn the power On or Off.

Plug in the charger connector to the phone and then plug the other end of the charger to the AC outlet, the phone will power On automatically.

2.2 Making a Call

◆ From Numeric Keypad

Enter the phone number by pressing the number keys, then press **[Send]** key to call the number.

◆ Speed Dialing

Up to 8 phone numbers from the Contacts List memory (either handset or SIM) can be assigned for one-key dialing. Press and hold any of number keys **[2-9]** and the phone number saved in the Speed Dials list will be dialed.

◆ From Phone Book

Scroll through the list in the Phone Book until the contact you desire is highlighted. Press **[Send]** key to make a voice call to the phone number chosen.

◆ From Call Log

The phone registers the phone numbers of received, missed, and dialed calls. The phone stores the last 20 calls in each of these categories.

The Call Log can be opened in one of the following ways:

- Press **[Send]** key to view All Calls
- From the Main Menu, select Log to view Missed Calls, Received Calls, and Dialed Calls individually. Scroll through the Calls List until the desired contact name or phone number is highlighted. Press **[Send]** key to make a voice call to the phone number selected;

◆ International call

Press and hold number key 0 until a “+” sign (international dialing prefix) is displayed.

Enter the Country Code, followed by the Area Code (drop the leading zero) and the phone number then press **[Send]** key.

◆ Extension numbers

The phone permits direct dialing of extension numbers in a telephone exchange. You can insert a pause character “P” between the phone number and extension number.

- Enter the telephone exchange number, then press and hold “#” key to input “P”, then enter the extension number.
- Press **[Send]** key to dial the number. The phone will automatically dial the extension number after connecting to the telephone exchange.

◆ Emergency call

Calls to emergency service numbers can be made under any circumstance, even if the phone is locked.

Dial the Emergency number appropriate for your location then press the **[Send]** key to make an emergency call.

2.3 Receiving a Call

When you receive a call, an “Incoming” status is displayed on the screen. The phone number of the calling party also appears on the screen. The caller’s name and number will be displayed if the information is in the Contacts List.

You may opt to answer the call, reject it, or just ignore it. If you miss an incoming call, answer the call, reject it or choose to ignore it, the call will be recorded in the phone’s Log.

To answer an incoming call, press the **[LSK]** or press the **[Send]** key.

While the phone is ringing, press **[OK]** to silence the ring tone.

2.4 Reject Calls

Press **[RSK]** to reject incoming calls.

2.5 In-Call Options

⚠ **Note:** Some functions depend on the support of network service provider and whether you have registered the function.

Your phone has additional functions available while a call is in progress.

Press **[LSK]** to display a list of common in-call functions such as Hold, SMS, Phonebook, Mute/Unmute, New call.

◆ Hold

This function allows you to make a second call by putting the current call on hold.

During a call, press **[LSK]** then select “Hold.” and then the current call will be put on hold. Press **[LSK]** and select Phone Book or New Call to dial the phone number of the second party. When the second call is

established, press **[LSK]** and select “Switch” to swap between the two calls.

◆ **SMS**

During a call, press **[LSK]** then select “SMS” to create an SMS or access the Inbox, Sent Items, or Drafts folders.

◆ **Phone Book**

During a call, press **[LSK]** then select Phone Book to search for the phone number in the Contacts List.

◆ **Mute/Unmute**

During a call, press **[LSK]** then select “Mute” to turn off the microphone. At this mode, the other party will not hear you but you can still hear the other party. Press **[LSK]** and select “Unmute” to turn the microphone back on and the other party can hear you again.

◆ **New Call**

To make another call while a voice call is in progress, press **[LSK]** then select New Call then enter and dial the phone number of the second party.

◆ **Multi-party Conference Call**

Your phone allows you to engage in a conference call so you can talk to a maximum of five other parties at the same time.

To make a conference call:

1. Dial the number of the first participant in the normal way.
2. Press **[LSK]** and select Phone Book or New Call to dial the phone number of the second party. The first call is automatically put on hold.
3. When the second call is established, press **[LSK]** and select “Create conference.” This joins the first participant into the conference call.
4. To add more participants, repeat steps 2 and 3, then select Add to Conference.

⚠ **Note:** The conference call feature is a network service. Check with your network operator if this service is supported.

◆ **Private Conversation During Conference Call**

1. During a conference call, press **[LSK]** and select “Conference List”;
2. Select one participant who you want to talk privately.
3. Press **[LSK]** to select “Split call.” This will put the conference call on hold while you talk to the selected participants. The remaining participants still can talking to each other.
4. Press **[LSK]** and select “Conference” to return to the conference call.
5. To drop a participant from the conference call, press **[LSK]** and select “Conference List” and then select “End.”

6. Press 'End' to terminate the conference call

⚠ Note: Do not hold the device near your ear when the loudspeaker is in use, because the volume may be extremely loud.

2.6 Connecting to PC

When you connect the handset to a PC with USB data line for the first time, the driver and PC client will be installed automatically.

Once the PC client is installed, when you connect the handset to the PC, the software will run automatically. As long as the PC client is running properly, your handset should be used as modem on PC.

⚠ Note: The PC client is not supported on Windows 2000 and Mac operating system.

3 Idle Mode and Main Menu

In idle mode, the screen displays lots of useful information, such as Missed Calls, New messages, Alarm List.



The Main Menu screen allows you to access any of your phone's features. These are displayed in a grid. In idle mode, press **[OK]** key to access the Main Menu and press the navigate keys to browse the icons, or press number key 1-8 to access the functions directly.

The following table shows the nine functions of the Main Menu where icons appear in the same order on the screen.

Log	Phone book	Accessory
Settings	SMS	SIM toolkit
Entertainment	My data	

3.1 Log

The phone's Log feature allows you to view information about phone and data calls you have made and received. The Log records and monitors your missed calls, received calls, dialed calls, all calls, call duration, and packet data counter.

◆ Missed Calls

Displays the last 20 calls made to the phone that were missed or ignored

◆ **Received Calls**

Displays the last 20 calls that the phone has received

◆ **Dialed Calls**

Displays the last 20 calls made from the phone

◆ **All calls**

Display the last 60 calls that are total missed calls, received calls and dialed calls.

Each entry in the list contains the Name, Number, Time, Date, and Call Duration.

You can highlight an entry in the Call Log List then press **[LSK]** to select from the following functions: Save, Call, Send SMS, Edit before call, Delete and Delete all.

◆ **Call Duration**

This feature provides you with detailed information regarding the total length of your incoming and outgoing calls.

◆ **Packet Data Counter**

This allows you to confirm the number of data (in kilobytes) sent and received during packet data connections.

⚠ **Note:** The actual invoice for calls and services from your service provider may vary, depending on network features, rounding off for billing, taxes, and so forth.

3.2 Phone book

The Phone book contains all contacts information stored in your phone memory and SIM.

To access your Phone book, press **[OK]** to open the Main Menu then select **Phone book** and then press **[OK]**. A quicker way to access your Phone book is to simply press **[Number key 2]** while Main Menu is opened.

The Phone book records the information of contacts, including name, multiple phone numbers, multiple e-mails, addresses, reject option and so on.

You can make a call and send SMS directly from the Contacts List. SIM contacts can be copied to Phone Contacts List, and vice-versa.

To open a contact entry quickly without having to scroll through your Contacts List, enter the first few characters of the contact's name. Once the desired contact is displayed, highlight it and press **[LSK]** or **[OK]**.

IMPORTANT: Your phone OS is designed for exact name search approach. Example: To search for the contact name 'JOHN' in your Phone book, simply press the **[Number key 5]** once for 'J', the **[Number key 6]** three times for 'O', the **[Number key 4]** twice for 'H', and the **[Number key 6]** twice for 'N'.

◆ All Contacts

Select **All Contacts** to display contacts stored in all two locations: phone, SIM.

- When opening Contacts, all your current contacts will be displayed in a list, in alphabetical order. You can use the **[Navigation key]** to scroll the contacts list then press **[OK]** to display detailed information of the contact.
- Press **[Send]** to dial the contact.
- When viewing Contact List, press **[LSK]** to select from the following options: New contact, Call, Send SMS, Copy to Phone/SIM, Delete.
- When viewing a contact entry, press **[LSK]** to select from the following options: Edit, Call, Edit before call, Send SMS, Copy to Phone/SIM, Delete.

◆ Phone Contacts

Your phone can store up to 1000 contact names, 5000 contact numbers, 1000 E-mail addresses. Select **Phone Contacts** to view the Contacts List stored in the phone.

- Scroll and highlight the desired contact entry then press **[OK]** to display the detailed information of the contact
- To make a Voice Call, press **[Send]** to dial the contact;
- When viewing Contact List, press **[LSK]** to select from the following options: New contact, Call, Send SMS, Copy to SIM, Delete.
- When viewing a contact entry, press **[LSK]** to select from the following options: Edit, Call, Edit before call, Send SMS, Copy to SIM, Delete.

◆ SIM Contacts

Select **SIM Contacts** to view the contact list stored in SIM card.

- Scroll and highlight the desired contact entry then press **[OK]** to display the detailed information of the contact
- To make a Voice Call, press **[Send]** to dial the contact;
- When viewing Contact List, press **[LSK]** to select from the following options: New contact, Call, Send SMS, Copy to Phone, Delete.
- When viewing a contact entry, press **[LSK]** to select from the following options: Edit, Call, Edit before call, Send SMS, Copy to Phone, Delete.

◆ Search function

In contacts list screen, user can find the contact by input corresponding characters in search area.

- Enter the first few letters or other characters of a name (using Multi-tap method if input method is set to 'abc') in the text editing window, then press **[OK]** to display the contact names that match with the letters entered.

◆ **New contact**

You can create a new contact.

- The following items can be saved in the Phone Contacts List: Name, Mobile number, Home number, and Office number, Fax number, Other number, Email, Group, Reject call On/Off, Memo
- The following items can be saved in the SIM Contacts List: Name, Number.

◆ **Management**

The management includes functions: Group, Storage type, Copy & Delete, Other numbers. Other numbers include: View my number, Service number.

- **Group:** A Contact Group can act as a distribution list, making it quicker to send SMS to multiple recipients.

If your SIM card supports group function, you can divide contacts into groups saved in the SIM card. In the phone group list, you can set a group ring tone for voice call and message; SIM grouping cannot support this function.

- **Storage type:** You can set storage type as Phone or SIM.
 - **Phone:** When you add a contact, it will be added to the phone automatically.
 - **SIM:** When you add a contact, it will be added to SIM automatically.
- **Copy & Delete:** By selecting this menu, you can do operations: Multi-Copy (Copy several), Multi-Delete (Delete several), Copy all and Delete all.
- **Other numbers:** Other numbers include View my number, Service number.
 - **View my number:** For user setting of local number stored in SIM card. My number list will be shown according to the numbers saved in the SIM card, and the max value of my number list is 5. You can edit and modify the names and numbers. In the own number list screen, select [**LSK**] for pop-up menu, press [**Direction navigation key**] to select:
 - **Edit:** Edit the selected item
 - **Delete:** Delete the selected item
 - **Service number:** The Service number phone book contains customer service, hotline service numbers, etc. The contents are defined by your network service provider.

◆ **Memory status**

This function shows you the number of used and available storage locations in the Contact List of the phone and SIM.

3.3 Accessory

From Main Menu, select **Accessory** to display a list of extra features that your phone has such as Clock alarm, Calculator and Notes.

◆ **Clock alarm**

You can use your phone as an alarm clock.

1. In the **Accessory** list, select **Clock alarm** to display three alarms that you can set up
2. Select one of the alarms and change the settings:
 - **Status:** Activate or deactivate the alarm function
 - **Time:** Set the desired time for the alarm to sound off
 - **Repeat:** Set the days you want the alarm to sound off. You can select Once, Daily, or Weekly
 - **Snooze:** Set the time for the alarm to sound again after turning it off. You can select "Off", 2 minute, 5 minutes or 10 minutes
 - **Ring:** Change the alert tone
 - **Rename:** Change the name of alarm

Select **Status** then select **Start** to save and enable the alarm settings. An alarm indicator will then be displayed at idle mode. If you want to disable the alarm, select **Status** then select **Stop**. Press **[RSK]** to return to **Accessory** list.

When the alarm sounds off, press **[RSK]** to turn it off. You may also press **[LSK]** or press any key to make the alarm snooze for a few minutes.

The alarm will sound off even if your phone is turned off.

◆ **Calculator**

Your phone comes with a calculator function which can perform the four basic arithmetic operations: addition, subtraction, multiplication and division.

⚠ **Note:** This calculator has limited accuracy and is designed for simple calculations.

1. In the **Accessory** list, select Calculator then press **[OK]** to display the calculator screen.
2. Keypad operation for calculator is as follows:
 - Use **[0-9]** numeric keys to enter a number
 - Press **[*]** key to enter a decimal point
 - Press **[#]** key to make a number '+' or '-'
 - Press **[OK]** to display result of calculation
 - Press **[LSK]** key to clear a number or an operation
3. Press **[RSK]** to close **Calculator** function and go back to **Accessory** list.

◆ **Notes**

Your phone allows to you write notes which can then be saved as text files.

-
1. In the **Accessory** list, select **Notes** then press **[OK]** to display a list of your notes.
 2. To write a new note, press **[LSK]** then select **New** to open the notepad. Press numeric keypad to enter text. Press **[OK]** to save the note.

3.4 Settings

You can customize your phone by changing its settings in order to suit the way you use it.

From idle mode, press **[OK]** to open Main Menu. Scroll to select **Settings** then press **[OK]** to display Settings menu.

◆ Phone

Select **Phone** to display the following settings:

- **Clock (Time and date):** Use the settings to change the time and the date, as well as the format in which time and date are displayed. Select from the following settings:
 - **Set time:** Enter the current time
 - **Set date:** Enter the current date
 - **Set time format:** Select if time will be formatted to 12-hour or 24-hour clock
 - **Set date format:** Select how the date will be formatted
- **Default input method:** Change the method of text input
- **Shortcut key:** Assign a function to the Navigation keys **[Up/Down/Left/Right]** and Selection (Soft) keys **[Left and Right]**

◆ Phone modes

You can use Phone modes to quickly change how you receive all notifications in a particular environment.

- **Ring volume:** Adjust the volume level of the ring tone
- **Message volume:** Adjust the volume level of the message alert tone
- **Keypad volume:** Select volume level 0 to 6 of the tone when a key is pressed
- **Ringtone:** Assign a ring tone each for voice call, and message alert
- **Ring type:** Set the ring tone type as repeat or ascending
- **Coverage tone:** Set a warning tone "On" or "Off" when there is no signal.

◆ Display

You can change the Backlight timer and Contrast.

- **Backlight timer:** You can set the backlight duration to conserve battery power among 5 seconds, 10 seconds, 20 seconds, 40 seconds, 60 seconds, 5 minutes
- **Contrast:** You can adjust the Contrast level from level1 to level7.

◆ Calls

In Calls, you can change the settings which affect how calls are made and received.

- **Call divert:** Use the call divert settings to set a phone number to divert voice calls. Open Call divert setting to display the following options:
 - * **Divert always:** Divert all incoming voice calls
 - * **On busy:** Divert all incoming voice calls if a call is currently active
 - * **No reply:** Divert incoming voice calls after the phone has rung after a length of time.
 - * **Unreachable:** Divert incoming calls when the phone is turned off, or out of network coverage.
 - * **Cancel all:** Disable call divert function
- **Call waiting:** Call waiting is a network service which informs you if a new call comes in while another call is active
- **Call barring:** You can restrict the types of call that your phone can make and receive. When you open Voice call barring, a list of options will be displayed:
 - * **Outgoing calls:** Bar all outgoing calls
 - * **International calls:** Bar all calls with international numbers
 - * **Intl. except to home country:** Bar all calls to international numbers except the country you are in/from
 - * **Incoming calls:** Bar all incoming calls
 - * **Incoming calls if abroad:** Bar all incoming international calls when you are abroad
 - * **Cancel all:** Enter call barring password to cancel all restrictions
 - * **Change password:** change old call barring password to a new one
- **Caller ID:** This network service allows you to select whether your phone number should be displayed or hidden from the person who you are calling.
- **Speed dial:** Set to "On" and the phone numbers assigned to the fast dialing keys (2-9) can be dialed by pressing and holding the key
- **Prefix setting:** You can create a list of prefix numbers used for international access codes and area codes
- **Auto redial:** Set to "On" and your phone will make a maximum of ten attempts to re-dial a number after an unsuccessful call attempt
- **Alert tone:** Open Alert tone to display two options:
 - * **Connection:** Set to "On" and the phone will sound when the recipient picks up your call
 - * **Minutes alert:** Set to "On" and the phone will remind you of your talk time by beeping after every minute

◆ Security

Use the security settings to protect your phone and SIM from possible unauthorized use.

- **PIN activate:** Switching this setting to Activate means that every time you switch the phone on, you will be required to enter your PIN (Personal Identification Number) code before you can use the phone (except when making an emergency call).
- **Change PINs:** Change your (4 to 8 digit) PIN code for SIM. PIN1 code protects your SIM card against unauthorized use. Your default PIN1 code should be provided with the SIM card. PIN2 code on the other hand is used to access certain network services.

⚠ **Note:** PIN activate and Change PINs function should disappeared when you use a Post paid SIM card.

- **Power on lock:** Set to "On" and every time you switch on your phone, you will be asked for your lock code.
- **Phone lock:** This is a 5-digit code used to lock the phone to stop others from using it, or to prevent keys from being pressed accidentally.
- **Change security code:** First, input the existing code, then the new codes twice.
- **Privacy guard:** If activated, the phone will ask for a password before you can access Phonebook, Log, SMS and Gallery.

◆ Network

In **Network**, the following options are displayed: Search type, New search, Preferred network and Network mode.

- **Search type:** You can set your phone to perform automatic or manual selection of available networks while roaming.
- **New search:** Search for an available network and manually select the network you want to use.
- **Preferred network:** The list of networks in your SIM card defines the order of preference in which your phone will select a network in automatic mode. Enter the individual networks in your own preferred order and store them in your SIM card.
- **Network mode:** You can change the type of network your phone will detect at any given time. It can be set in any of the following options:
 - * **Automatic:** The phone will automatically switch between GSM (2G-2.75G) networks, whichever has the stronger network coverage
 - * **GSM only:** The phone will register on GSM (2G-2.75G) networks only

◆ Reset settings

Select this setting to restore your phone's default factory settings.

◆ Clear all

Select this option to delete all data and cancel all settings previously done on your phone.

3.5 SMS

Select [**SMS**] from Main Menu and open a list of default SMS folders:

“New”, “Inbox”, “Drafts”, “Outbox”, “Sent”, “Settings”, and “Memory Status”.

- **Creating and Sending SMS**

1. From Main Menu, select **SMS** then select **New**.
2. Enter the number of the recipient in the “To:” field using the phone keypad.

If the number is stored in the Phonebook or used recently or log or contact group, press [**OK**] then enter **Recently used, Contacts, All calls** and **Contact group** list screen then open **Recently used, Contacts, All calls** or **Contact group** to mark one or more receiver to send the message to, and then press [**LSK**] to go back to the SMS message screen.

Alternatively, you can also press [**LSK**] then enter **Recently used, Contacts, All calls** and **Contact group** list screen then open **Recently used, Contacts, All calls** or **Contact group** to mark one or more receiver to send the message to, and then press [**LSK**] to go back to the SMS message screen.

3. Press [**Down navigation key**] to move to “Content:” field
4. Compose your message using the phone keypad.
5. Press [**OK**] to send message.

After composing your message in Step (4), you may press [**LSK**] and select from the following edit options: “Send”, “Send and save”, “Add recipient”, “Save”, “Clear field”, “Insert contact”, “Notes”, “Cut”, “Copy”, “Paste”, “Symbols”, “Line feed” and “Insert smiley”.

- **Send:** When ready to send your composed message.
- **Send and save:** When ready to send and save your composed message.
- **Add recipient:** When ready to select/edit/add the message recipient(s).
- **Save:** Current message will be stored into Drafts folder.
- **Clear field:** Clear current receiver and content.
- **Insert contact:** Contact name, number and email will be inserted the content.
- **Notes:** Open notes list to select note.
- **Cut:** Cut the selected words or symbols.
- **Copy:** Copy the selected words or symbols.
- **Paste:** Paste the selected words or symbols to the focus.
- **Symbols:** Open symbol table.

- **Line feed:** Move the focus and the text behind the focus to next line.

- **Insert smiley:** Open smiley list to select smiley.

You can send your SMS to more than one recipient at one time. You can enter as many numbers in the "To:" field with each entry separated by a semi-colon (;). You may also add multiple recipients or send to a defined Group from the Contacts List.

▪ **Receiving SMS**

All received SMS messages are stored in the **Inbox**.

Your phone will notify you when a new message is received. The number of New Messages is displayed on the screen in idle mode with a closed envelope icon beside it and another one on top of the screen directly beside the battery indicator.

To read a new message from idle mode, press [**Down/Up Navigation key**] to highlight **New Message**, then press [**OK**] to open "New Message" list. Select **New SMS** to open "Unread SMS" List then press the Contact Name or number of the message sender. This will open the message straight from the Inbox.

You can also open your Inbox from the Main Menu. Select **SMS** then select **Inbox** to open the message list with the most recently received message(s) appearing on top. Press [**LSK**] to select from the following options:

- **Read:** View the content of the received message, the name or number of the message sender, and time when message was received. After reading the message, you may press [**LSK**] to perform the following options: Reply, Forward, Get Information, Call, Copy to SIM/Phone, and Delete.
- **Reply:** Create a message in response to a received message. The numbers of the message sender will be automatically copied to the "To:" field
- **Forward:** Forward a received message to another party. The message is copied to an edit text field then you can enter the number/s of the recipient(s) to the "To:" field
- **Call:** Make a voice call to the message sender
- **Delete:** Delete a selected message from the Inbox. You will be prompted if you are certain in deleting the message.
- **Multi-delete:** Multi-select then delete messages in the Inbox. You will be prompted if you are certain in deleting the select messages.
- **Delete all:** Delete all messages in the Inbox. You will be prompted if you are certain in deleting all messages.

▪ **Drafts**

All unfinished or unsent messages are stored in the **Drafts** folder.

Enter **SMS** menu, press [**Down Navigation key**] to find **Drafts** folder and open the message list. Use [**Up/Down Navigation key**] to select the message to edit or send. Press [**OK**] to open the message then press [**LSK**] to perform any of the following options:

-
- **Edit:** Edit message before sending
 - **Forward:** Forward the selected message to another recipient
 - **Delete:** Delete the selected message in the Drafts folder
 - **Delete all:** Delete all messages in the Drafts folder

- **Outbox**

A message that cannot be sent for some reason will be temporarily stored in the **Outbox** folder.

Enter **SMS** menu, press [**Down Navigation key**] to find **Outbox** and open the message list. Use [**Up/Down Navigation key**] then press [**OK**] to open the selected message. Press [**LSK**] to perform any of the following options:

- **Read:** View details of unsent message
- **Edit:** Edit the selected message before resending
- **Resend:** Resend the selected message
- **Delete:** Delete the selected message in Outbox
- **Delete all:** Delete all messages in Outbox

- **Sent**

All messages sent successfully from your phone are stored in the **Sent** folder.

Enter **SMS** menu, press [**Down Navigation key**] to find **Sent** and open the message list. Use [**Up/Down Navigation key**] then press [**OK**] to open the selected message. Press [**LSK**] to perform any of the following options:

- **Read:** View details of sent message
- **Forward:** Forward the selected message to another recipient
- **Call:** Make a voice call to the message sender
- **Delete:** Delete the selected message in Sent folder
- **Multi-delete:** Multi-select then delete messages in the Sent box, you will be prompted if you are certain in deleting the select messages.
- **Delete all:** Delete all sent messages in Sent folder

- **Settings**

You can select from the following options to set up your messages.

- **Service Center:** Your messages are delivered to your phone via a message center number defined and preset by your service provider for SIM.
- **Expiry period:** This indicates the number of hours or days for which a message you send may remain undelivered to the recipient. If the recipient cannot be reached within the set period, the

message is removed from the message service center. Validity period can be set at 1 hour, 6 hours, 1 day, 3 days, 1 week or network maximum.

- **Delivery reports:** When set to “On”, you will receive a status report from the message center to inform you that the recipient has received your message.
- **Storage type:** Select whether you want new messages to be automatically stored to the Phone SMS Inbox or SIM card.
- **Broadcast:** Cell broadcast allows you to receive information of various topics sent by your service provider. Contact your service provider to get the available topics via Cell Broadcast.

- **Memory status**

Displays the number of used and available storage locations on the phone and SIM.

3.6 SIM Toolkit

In addition to the features installed on your phone, you may also have certain operator features and services contained on the SIM card. The content will vary according to what SIM services that your operator provides. You can see STK menu from SIM card.

⚠ **Note:** For availability, rates, and information on using SIM services, contact your SIM card vendor, for example, network operator, service provider, or other vendor.

Entertainment

From Main Menu, select **Entertainment** to display a list of extra features that your phone has such as FM Radio and Music player.

◆ FM Radio

To listen to the FM Radio on your phone, you must first plug in the stereo headset.

From Main Menu, select **Entertainment**, and then select **FM Radio**

- Press [**Left/Right Navigation key**] to scan FM stations in sequential order.
- Press [**Up Navigation key**] to display a list of previously saved stations.
- Press [**Down Navigation key**] to open Search Mode and select from the following options: **Manual, Favorite, or Automatic.**
- Press the volume key to increase/decrease loudness of audio.
- Press [**OK**] to mute/unmute the headset speaker.
- Press [**LSK**] then select from the following options:
 - **Save:** Save current tuned station to My favorite list
 - **My favorites:** Create your own list of most listened to FM stations. Press [**LSK**] to select from the following options:

-
- * **Listen:** Listen to the selected station
 - * **Add New:** Enter the station name and frequency then save to My favorite list
 - * **Edit :** Change station name and frequency
 - * **Delete:** Delete the current tuned station from My favorite list
 - * **Delete all:** Delete all channels from My favorite list
 - * **Search Mode:** Set channel selection to **Manual, Favorite, or Automatic**
 - * **Shortcut key setting:** assign any key in the phone keypad as shortcut to frequently tuned FM Stations
 - * **Minimize:** return to idle mode or use other applications while the FM radio continues playing as background music
- The FM radio is automatically muted when there is an active call and will resume playing after ending the call.

4 Reference Information

1. Input Text

You can enter text and numbers on your phone using the keypad. Your phone supports some input modes for entering text and numbers:

- T9 En, en, EN T9 English predictive text input mode
- Abc, abc, ABC Multi-tap input mode
- 123 Numeric input mode

When you select a field that requires text or numeric entry, the phone automatically defaults to the appropriate input mode. The status indicator on the title bar shows the input mode you are currently using.

To switch input modes:

- Press the **[*]** asterisk key to switch between numeric and text input modes.
- In the text editor field, press **[#]** key to switch to symbol input mode, select from the symbols table by pressing **[Up/Down Navigation key]**. To select, highlight the symbol and then press **[OK]** or by pressing the numeric key that corresponds to the symbol.
- To insert a space in Multi-tap or T9 mode, Press **[Number key 0]** key
- To start a new line, press and hold **[#]** key.

2. Entering Text and Numbers

▪ ABC

ABC is multi-tap text input method. You press each key as many times as needed to show the letter you want. For example: If you want to input “c”, you should press **[Number key 2]** three times.

Input letters by number keys on the keypad, the letters will be displayed on the cursor. Press **[Number key 1]** repeatedly to select common punctuation in turns as: . , - ? ! ' @ : ; / 1

Press **[Number key 0]** to input space.

▪ 123

Press **[*]** repeatedly to switch to Numeric mode and then just press the number(s) you want to enter on the keypad.

▪ T9 English

This is a built-in dictionary feature which suggests words by the sequence of letters that you type.

In using T9, you only have to press each key once. The letters change as you type, so it is important that you ignore what is displayed on the screen until you have finished typing completely. Press **[Up/Down Navigation key]** repeatedly to display all the words that match one at a time. Press **[OK]** to confirm your

choice.

5 Accessories

◆ Charger


It will charge the Ni-MH battery quickly and completely. The charge duration varies subject to the capacity of battery.

◆ Ni-MH battery (a suit)

The battery type is five and a suit is built by three batteries.

For GSM mode, the Ni-MH battery can provide standby time of up to 200 hours and talk time of up to 3 hours (GSM).

Specific standby and talk times shall be determined subject to the actual condition of use.

 **Note: The use of other types of chargers, batteries or any accessories other than those recommended by WD210P will invalidate the manufacturer's warranty of the phone.**

◆ USB data cable

To connect to compatible device, such as PCs.

◆ A screw

There is a screw of the battery cover, you can fit on the screw by the right cross screwdriver. After fitting on the screw, the battery cover will be firm.

◆ Antenna

Please fit on the antenna before you use the phone.

6 Troubleshooting

Thank you for using this mobile phone by **WD210P**. In case of any problem regarding mobile phone usage, please contact our local distributor or any of our **WD210P** authorized service centers/partners in your locality.

To inquire about the list of authorized service centers or partners, please contact **WD210P**, or visit us at <http://www.WD210P>

Common problems	Potential causes	Solution
Screen displays “Insert SIM” or “Invalid SIM”	Dirty contact pad of SIM card with the phone	Gently clean the contact pad of SIM card.
Short battery life	Backlight setting is set on High for a long period of time	Re-configure backlight mode to Medium or Low.
No sound on the device	Possibly minimum volume is set	Adjust the volume by up/down volume keys
Phone lock	Function of phone lock is activated	Input correct phone code; Go to Settings->Security to turn off if necessary.
Fail to make a call after input number	<ol style="list-style-type: none"> 1. Didn't press Send key 2. No signal 3. Outgoing calls barring maybe on 	<ol style="list-style-type: none"> 1. Press Send key 2. Go near the windows or corridors. 3. Go to Settings->Calls->Call barring to check configure.
Fail to receive incoming call	<ol style="list-style-type: none"> 1. Phone is powered off. 2. Incoming calls barring maybe on 	<ol style="list-style-type: none"> 1. Powered on the phone 2. Go to Settings->Calls->Call barring to check configure.
No sound in other side	<ol style="list-style-type: none"> 1. Weak signals 2. Too distant from transmitter 	<ol style="list-style-type: none"> 1. Go near the windows or corridors. 2. Make the transmitter near your mouth. The transmitter is located on the bottom of your phone.
Can't power on	Charger is not plugged or battery is empty	Plug the charger.

7 Care and maintenance

A phone contains delicate electronic circuitry, magnets and battery systems. You should treat it with care and pay attention to the following:

- This phone is fitted with an internal battery that can only be replaced by a qualified service engineer. There is a risk of explosion if the battery is replaced with an incorrect battery type. Dispose of the used battery in accordance with the manufacturer's instructions.
- Do not allow the phone, battery or accessories to come into contact with liquids or moisture at any time.
- Do not immerse in liquid.
- Do not paint the phone.
- Do not drop, throw or subject the phone to rough treatment.
- Do not place the phone alongside computer disks, credit cards, travel cards and other magnetic media. The information contained on disks or cards may be affected by the phone.
- Do not leave the phone or the battery in places where the temperature could exceed 60°C, e.g. on a car dashboard or a window sill, behind glass in direct sunlight, etc.
- Do not remove the battery while the phone is turned on.
- Take care not to allow metal objects, such as coins or key rings to contact or short-circuit the battery terminals.
- Do not dispose of batteries in fire. Dispose of Ni-MH batteries at a Ni-MH recycling point.
- Do not put the battery in your mouth, as battery electrolytes may be toxic if swallowed.
- Do not attempt to dismantle the phone or any of its accessories.
- Do not put the battery into a microwave oven, dryer or high-pressure container.
- Do not let the battery come into direct contact with an electric outlet or cigarette lighter charger. Use only authorized charger units.
- Do not pierce the battery with a sharp object such as a needle.
- When the battery is thrown away, be sure it is non-conducting by applying vinyl tape to the (+) and (-) terminals.
- Do not disassemble or modify the battery.
- Do not solder the battery directly.
- Stop using the battery if you detect any abnormalities, such as odor, discoloration or heat during use, charge or storage.
- Do not use the phone with a damaged or deformed battery.

-
- In the unlikely event of a battery leak, take care to keep the battery discharge away from your eyes or skin. If the leakage does come into contact with the eyes or skin, please flush thoroughly in clean water and consult a doctor.
 - Remove a worn out battery immediately.
 - The handset itself may become warm when the handset is used for an extended period of time. Also, it may become warm while the battery is being charged.
 - Before you clean or maintain the wireless device, disconnect your wireless device from your PC and turn off the PC. Otherwise, electric shock or short-circuit may be caused.
 - Use an anti-static cloth to clean the phone. Do not use an ordinary dry cloth or electrostatic charged cloth. Do not use chemical or abrasive cleaners as these could damage the case.
 - Do not scratch the shell of the wireless device. Otherwise, the shed coating may cause skin allergy. Once it happens, stop using the wireless device at once and go to see a doctor.
 - Remember to recycle the cardboard packaging supplied with this phone.
 - Remember to make backup copies of all important data on your phone.
 - Do not leave the battery pack empty or disconnected for a long time, otherwise some data may be initialized.
 - Do not remove or replace the battery on the device power on status. If you remove or replace the battery on the device power on status, it is dangerous and may explode.
 - Take care not to put your phone in your back pocket and then sit on it. Also, do not put your phone at the bottom of a bag where it may be subjected to excessive weight or pressure. Doing so may damage the LCD and cause to malfunction.
 - Hold the phone away from your ear when you:
 - Play the ring tune through the speaker.
 - It may damage, or irritate your ears.

8 RF exposure information

To maintain compliance with FCC RF exposure requirements, use handset that maintain a 20cm separation distance between the user's body and the host.

MPE limit for RF exposure at prediction frequency is 0.558mW/cm² for GSM850MHz and 1mW/cm² for GSM1900MHz. The MPE for GSM850MHz is 0.078 mW/cm² and 0.031mW/cm² for GSM1900MHz. It satisfy RF exposure compliance.