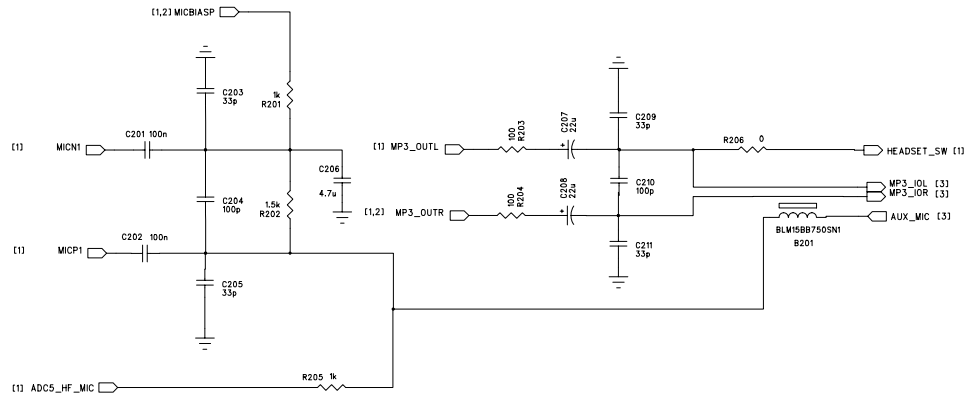
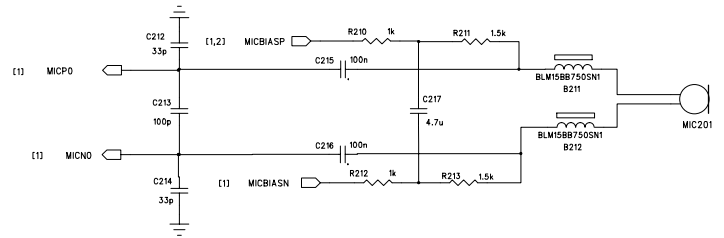


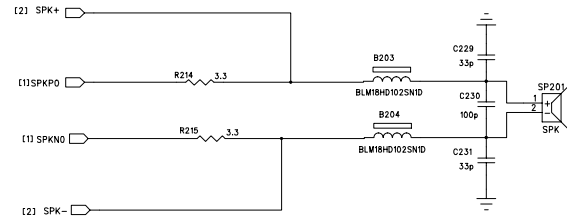
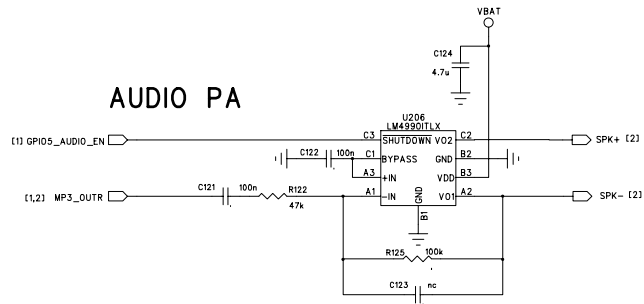
HEADSET MODE/ DIGITAL MUSIC



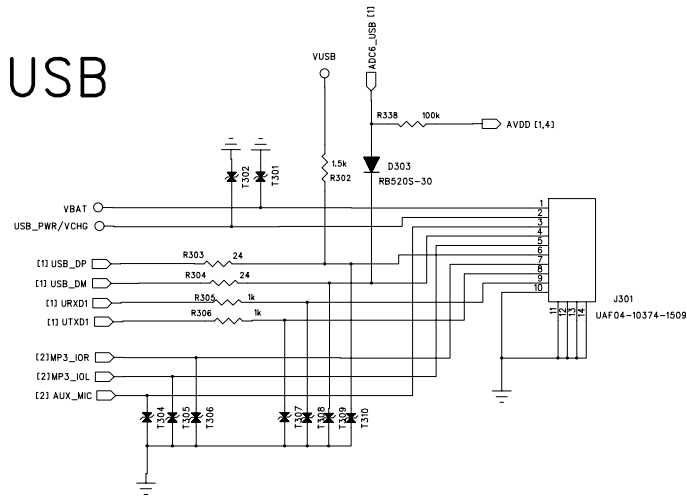
Microphone circuit



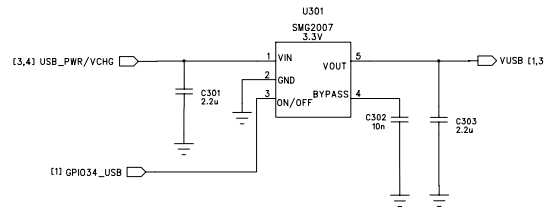
AUDIO PA



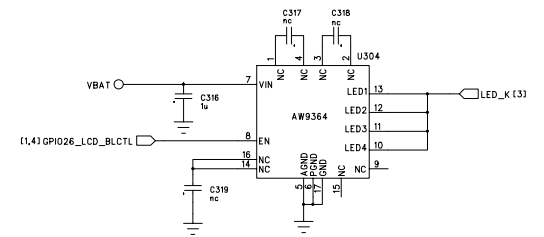
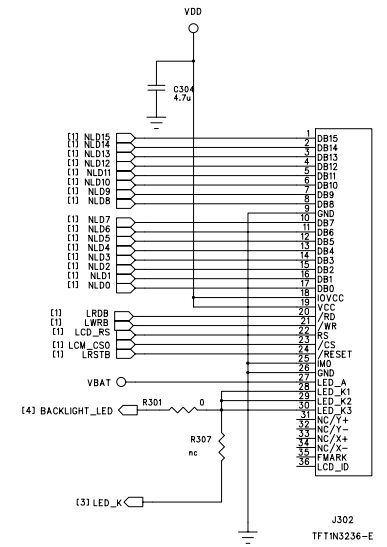
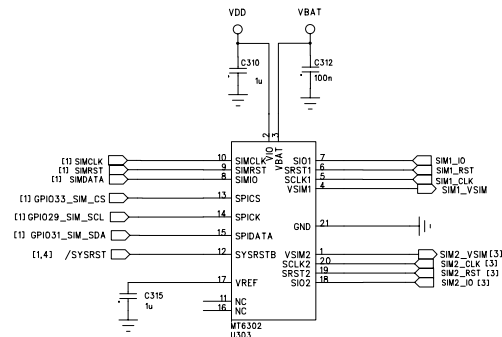
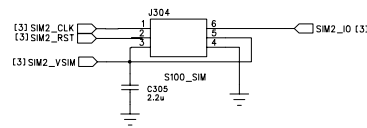
USB

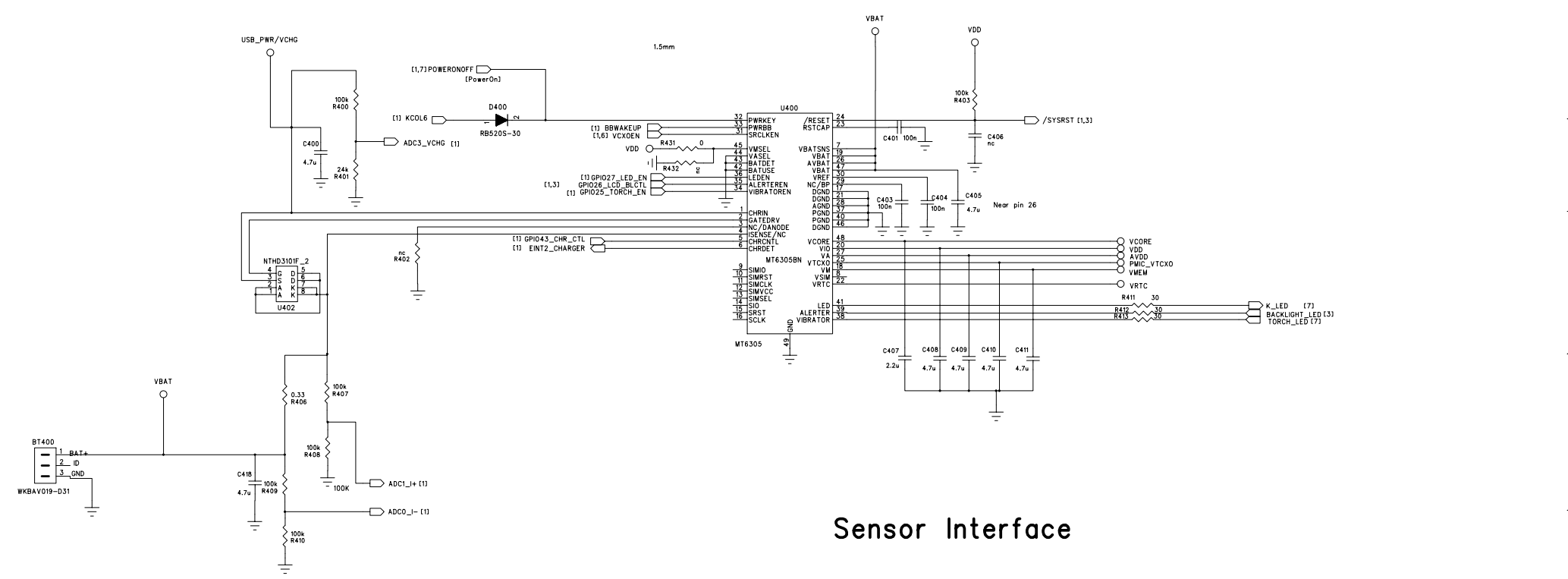


POWER FOR USB

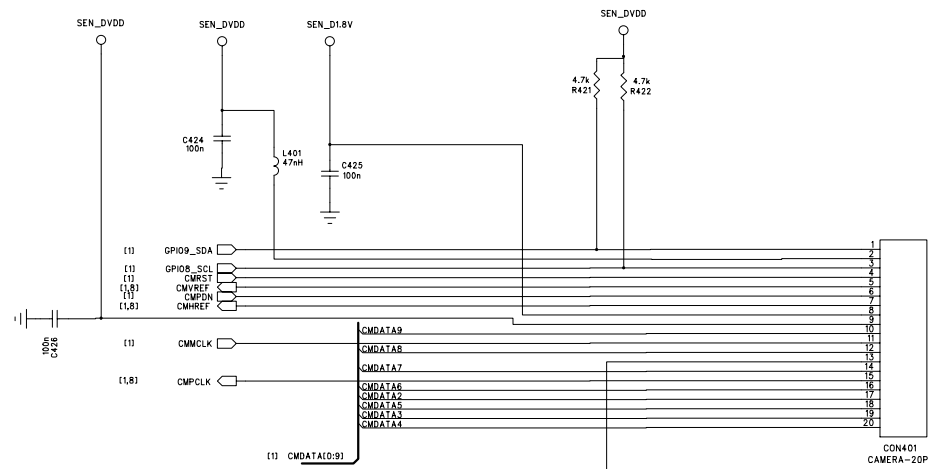


SIM

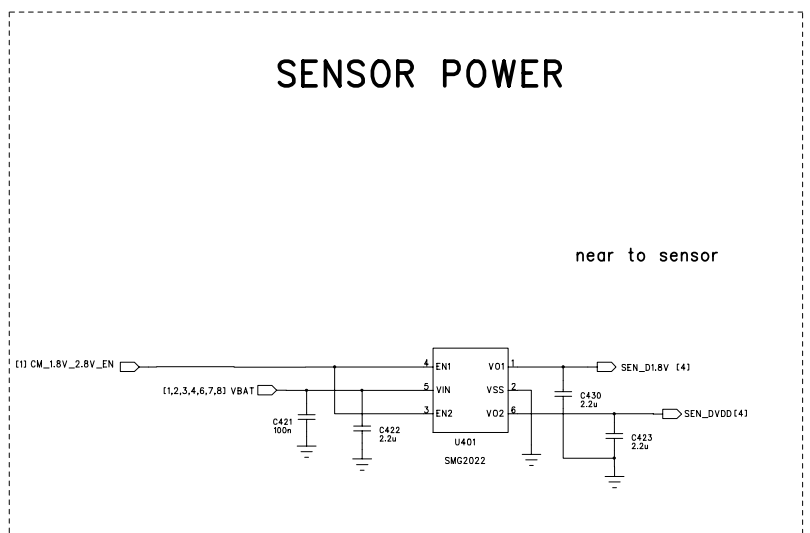




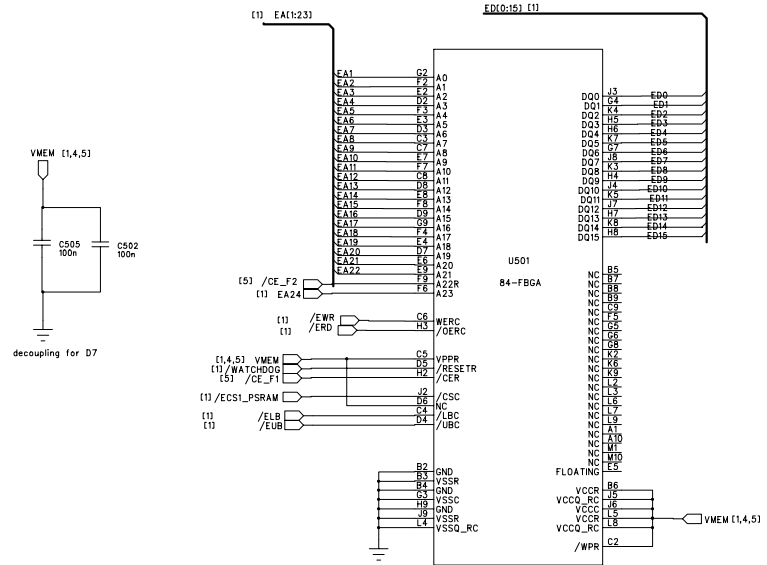
Sensor Interface



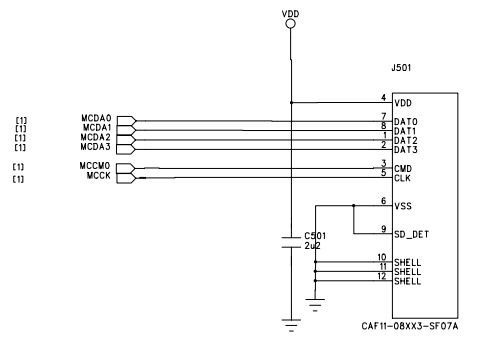
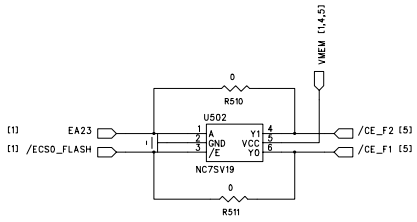
SENSOR POWER



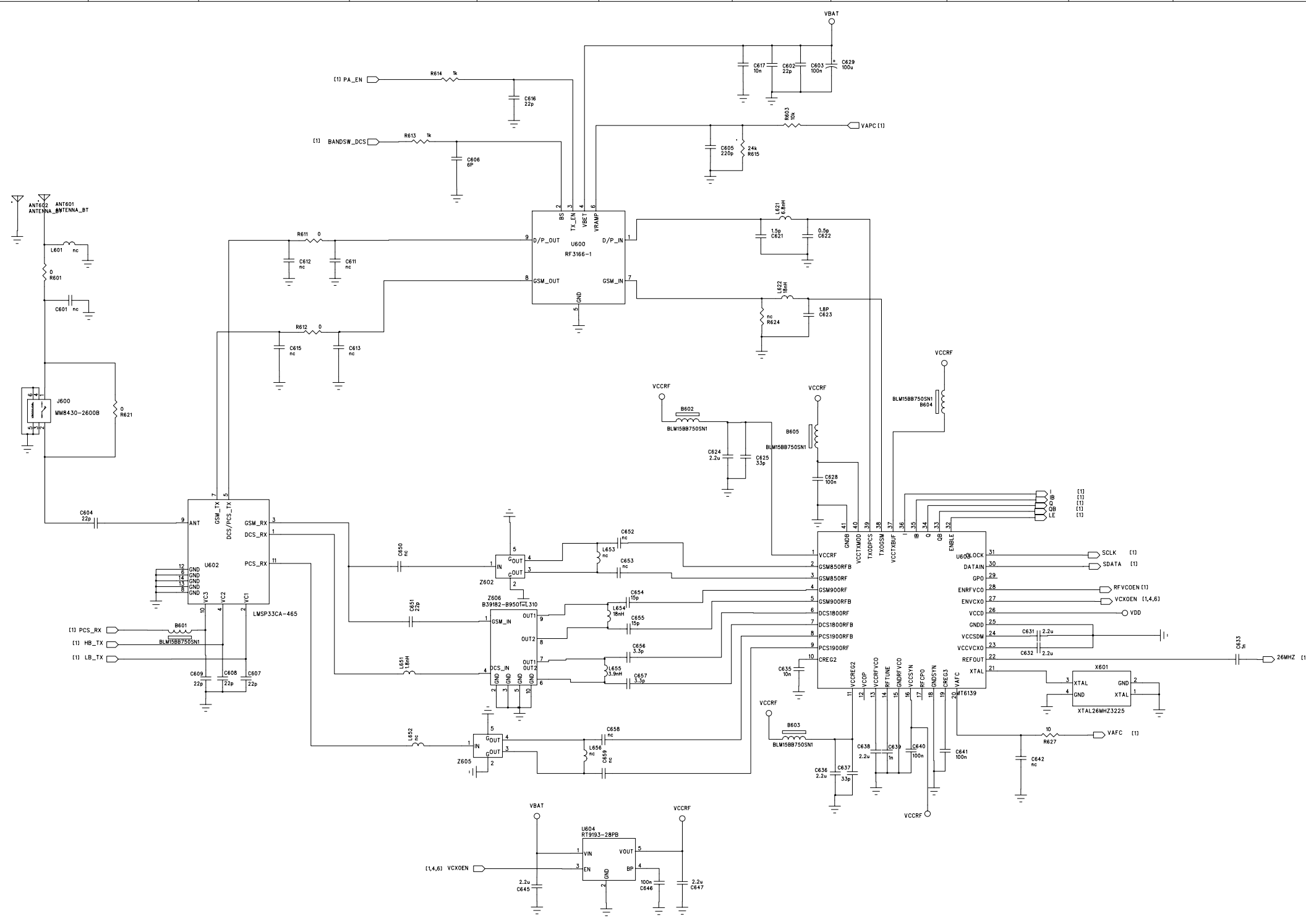
| Voltage | voltage | Max(mA) |
|---------|-----------|---------|
| Vcore | 1.2V | 200mA |
| VIO | 2.8V | 100mA |
| VA | 2.8V | 150mA |
| YTCXO | 2.8V | 20mA |
| VRTC | 1.2V | 200uA |
| VMEM | 2.8V | 150mA |
| VSM | 1.8V/2.8V | 20mA |

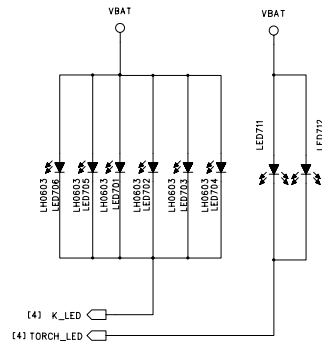
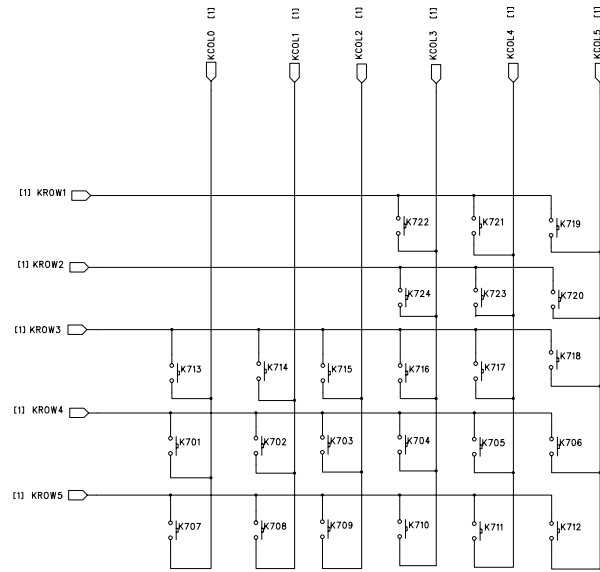


SILICON MEMORY



miniSD CONNECTOR





Keyboard



Motor circuit

