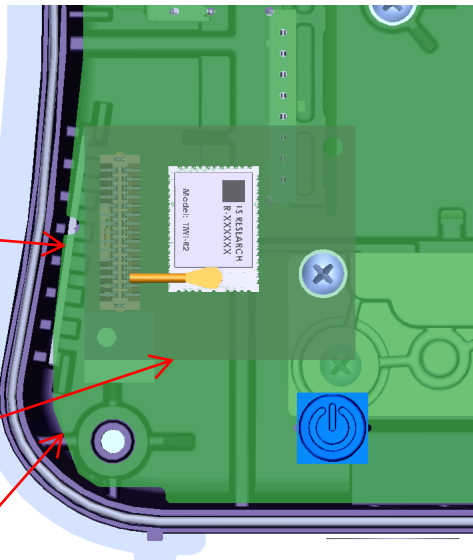
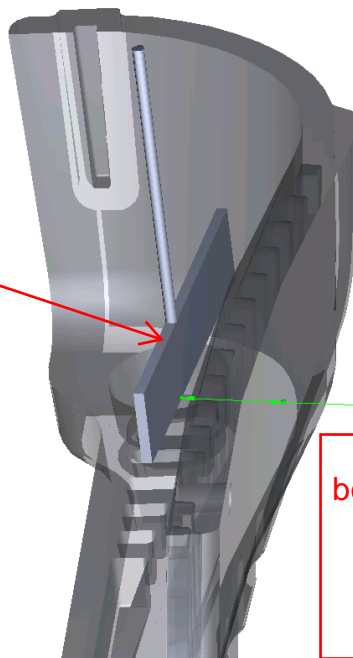
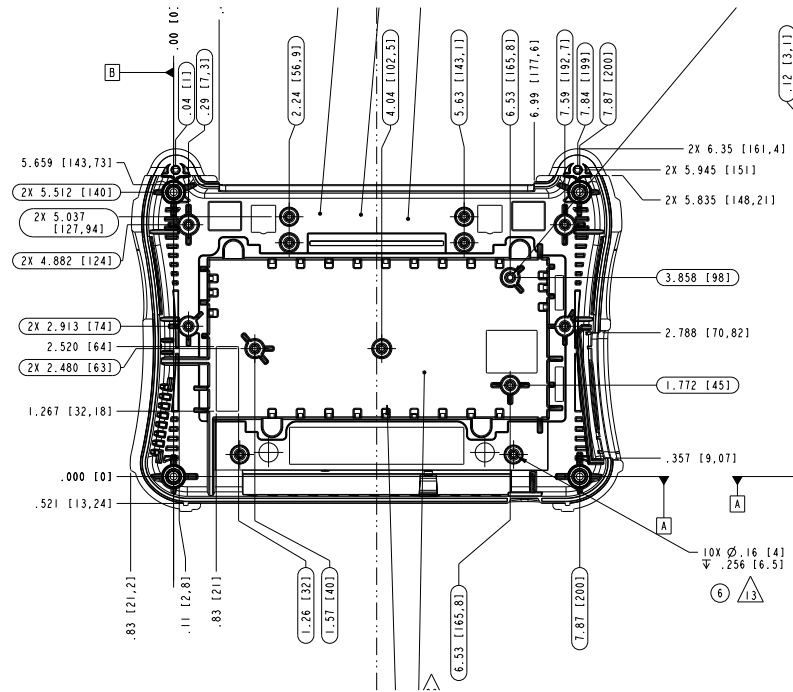


WiFi board and antenna in this corner



Ethertronics 1000423 Antenna
Ethertronics 1001491 shown, both rest in same plane.

WiFi Board
Main Board



Ethertronics 1000423 Antenna
Ethertronics 1001491 shown, both rest in same plane.

9.819 mm

Distance between antenna and nearest point on countoured enclosure = 9.819 mm as designed = 9.093 mm as measured on prototype sample