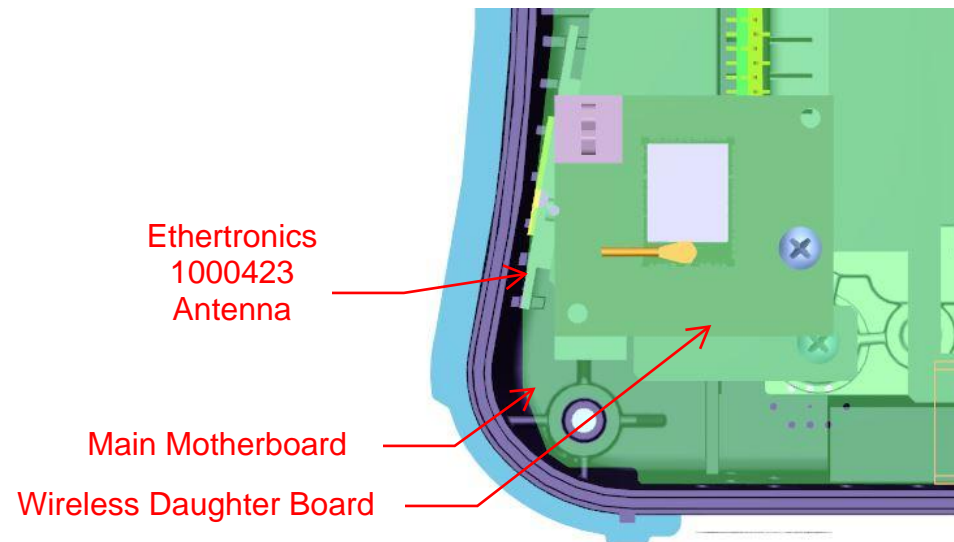




Radio module and antenna are located in this corner of the device.

Arrow shows measurement point on housing overmold closest to bottom edge of antenna's PCB = 6.65 mm



Ethertronics
1000423
Antenna

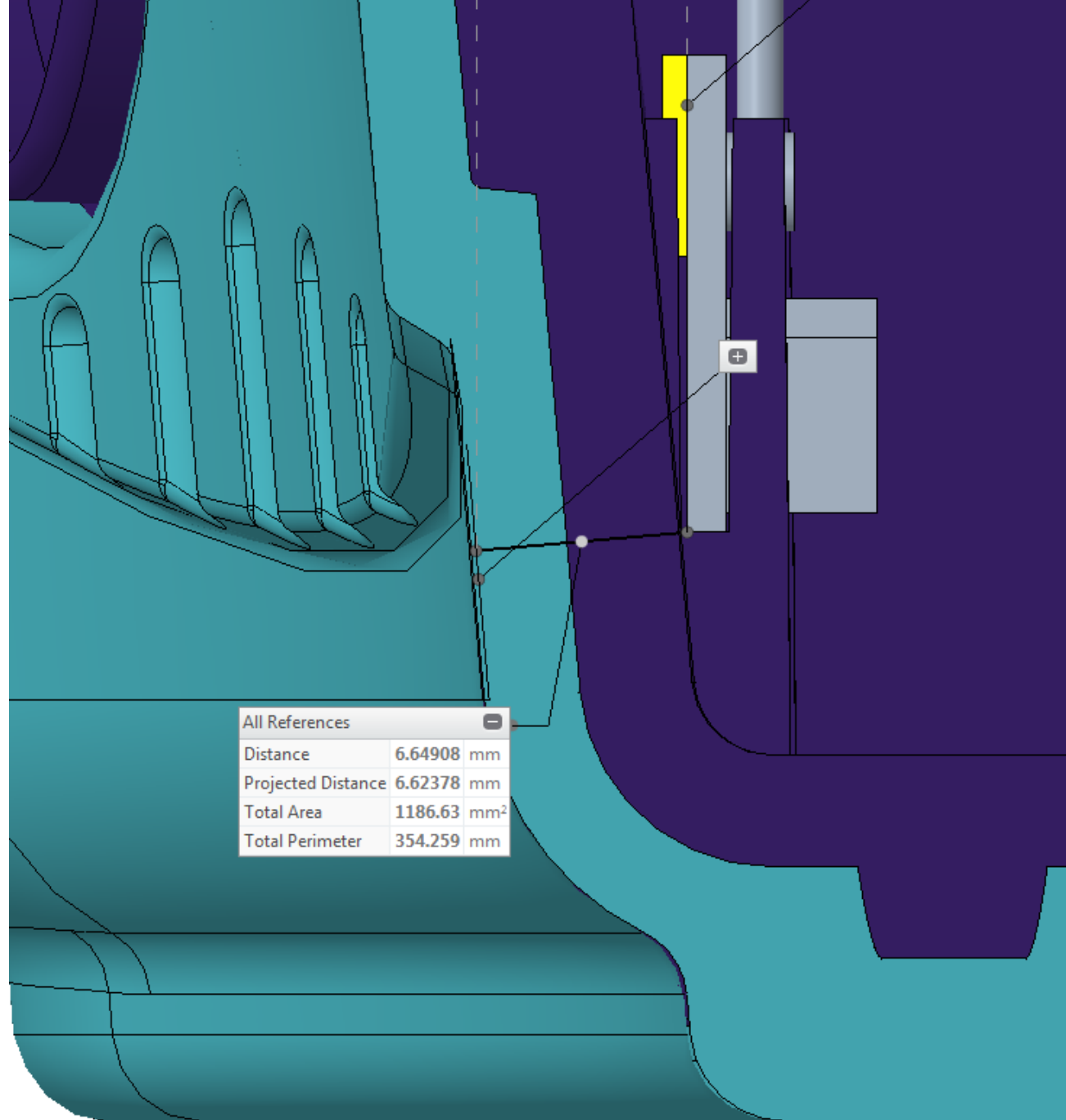
Main Motherboard

Wireless Daughter Board

Antenna PCB Edge
To
Left Side Contour

6.65mm

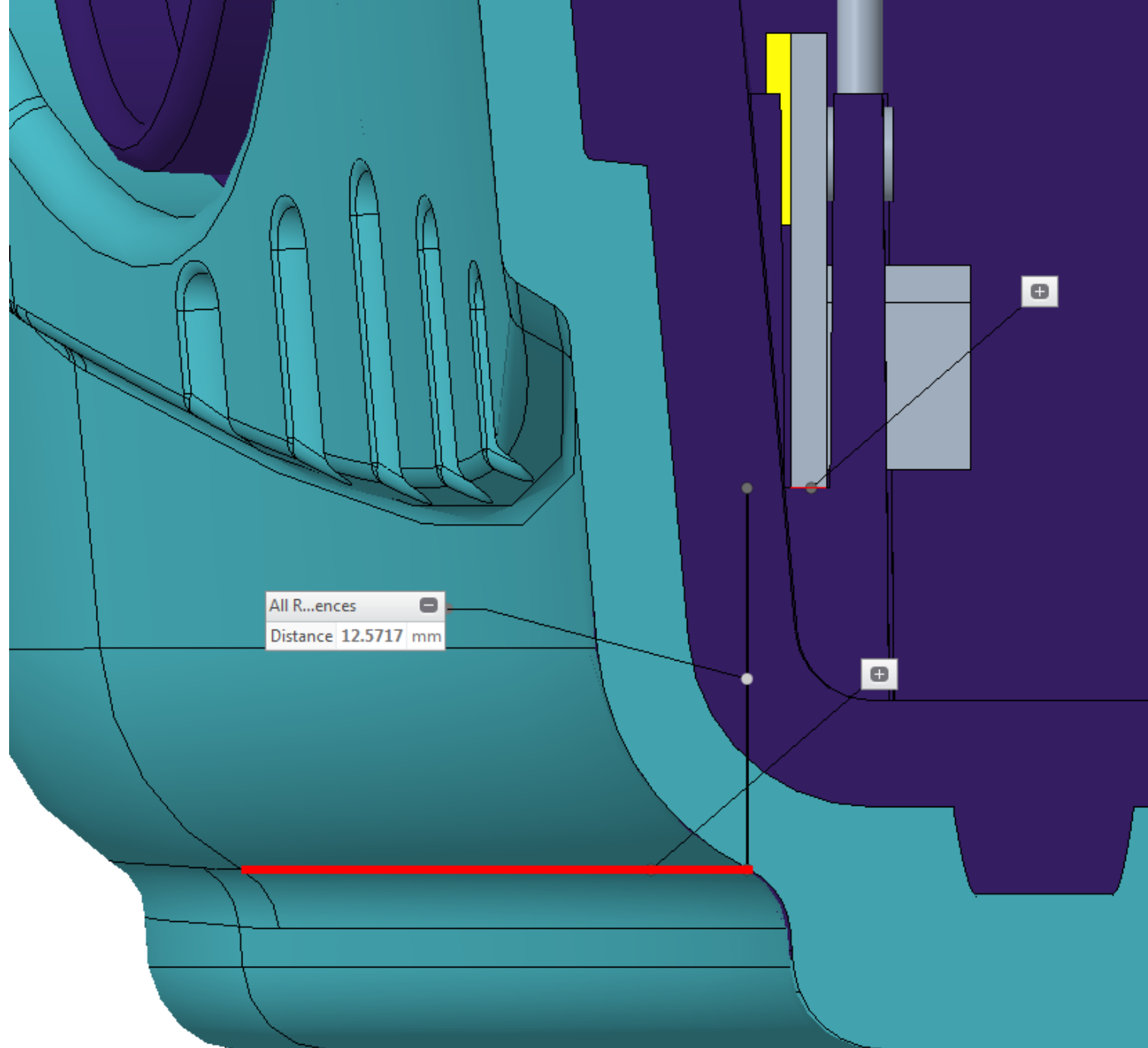
[Shortest Distance]



All References	
Distance	6.64908 mm
Projected Distance	6.62378 mm
Total Area	1186.63 mm ²
Total Perimeter	354.259 mm

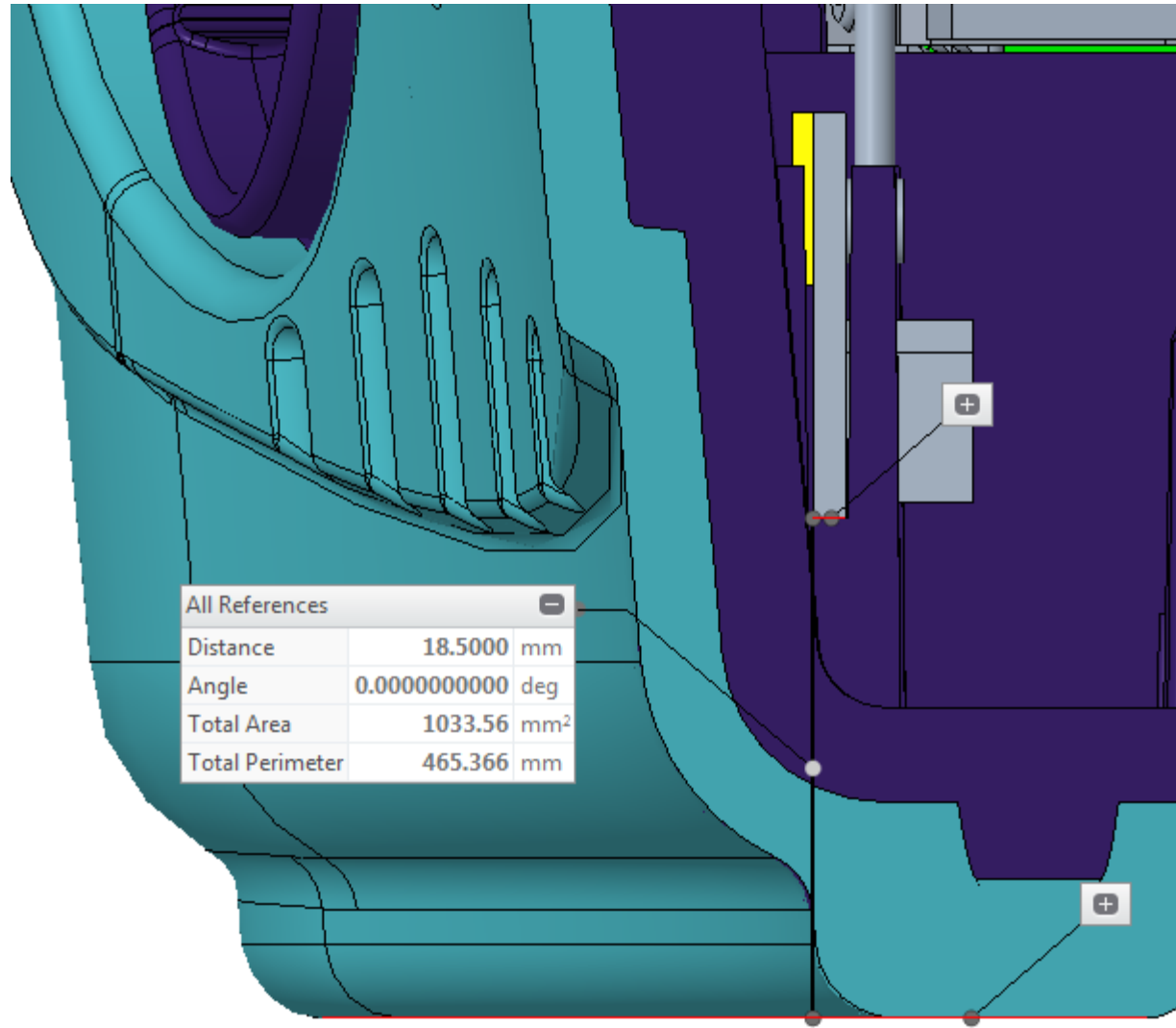
Antenna PCB Bottom
To
Rear Contour

12.57mm



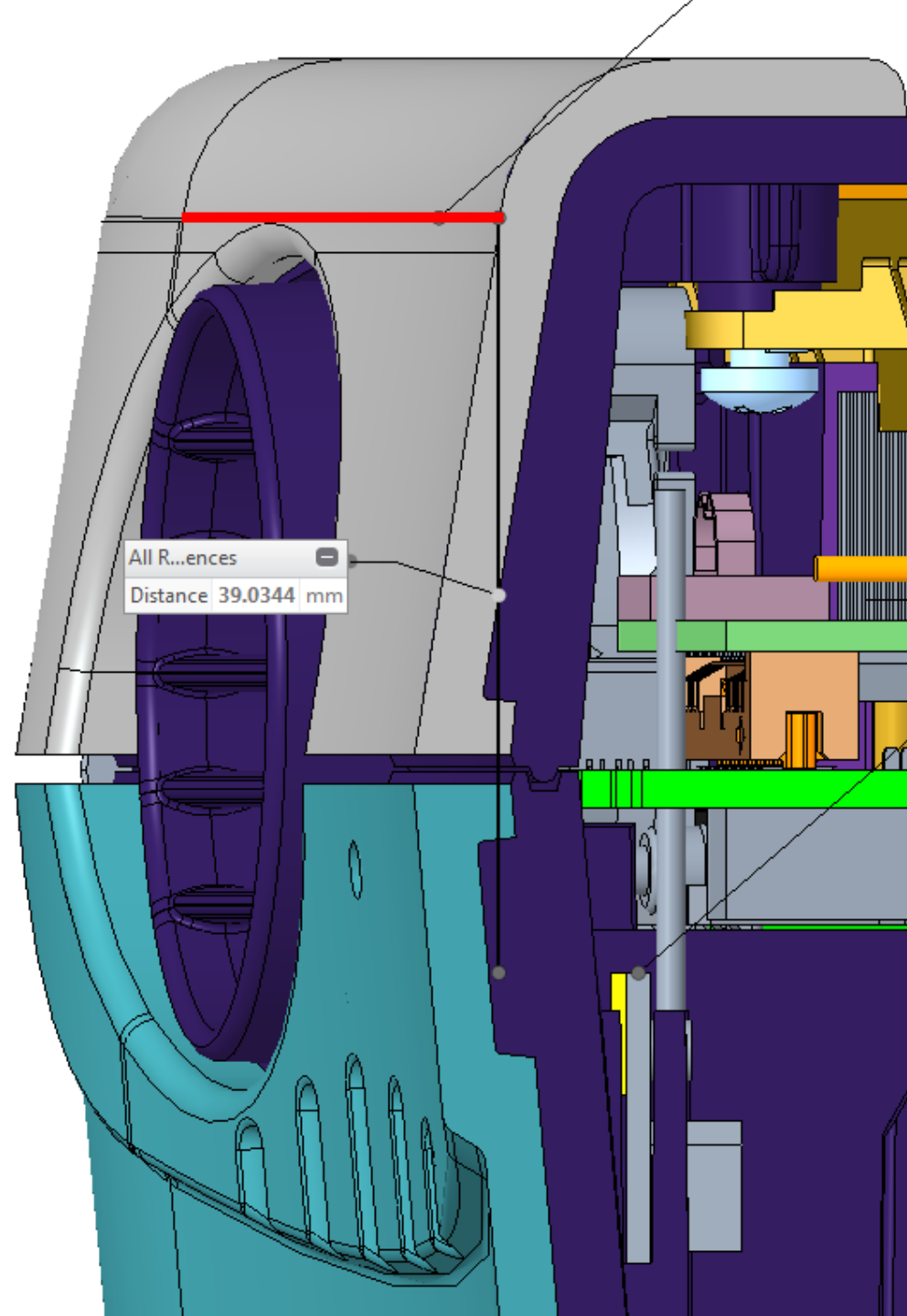
Antenna PCB Bottom
To
Rear

18.5mm



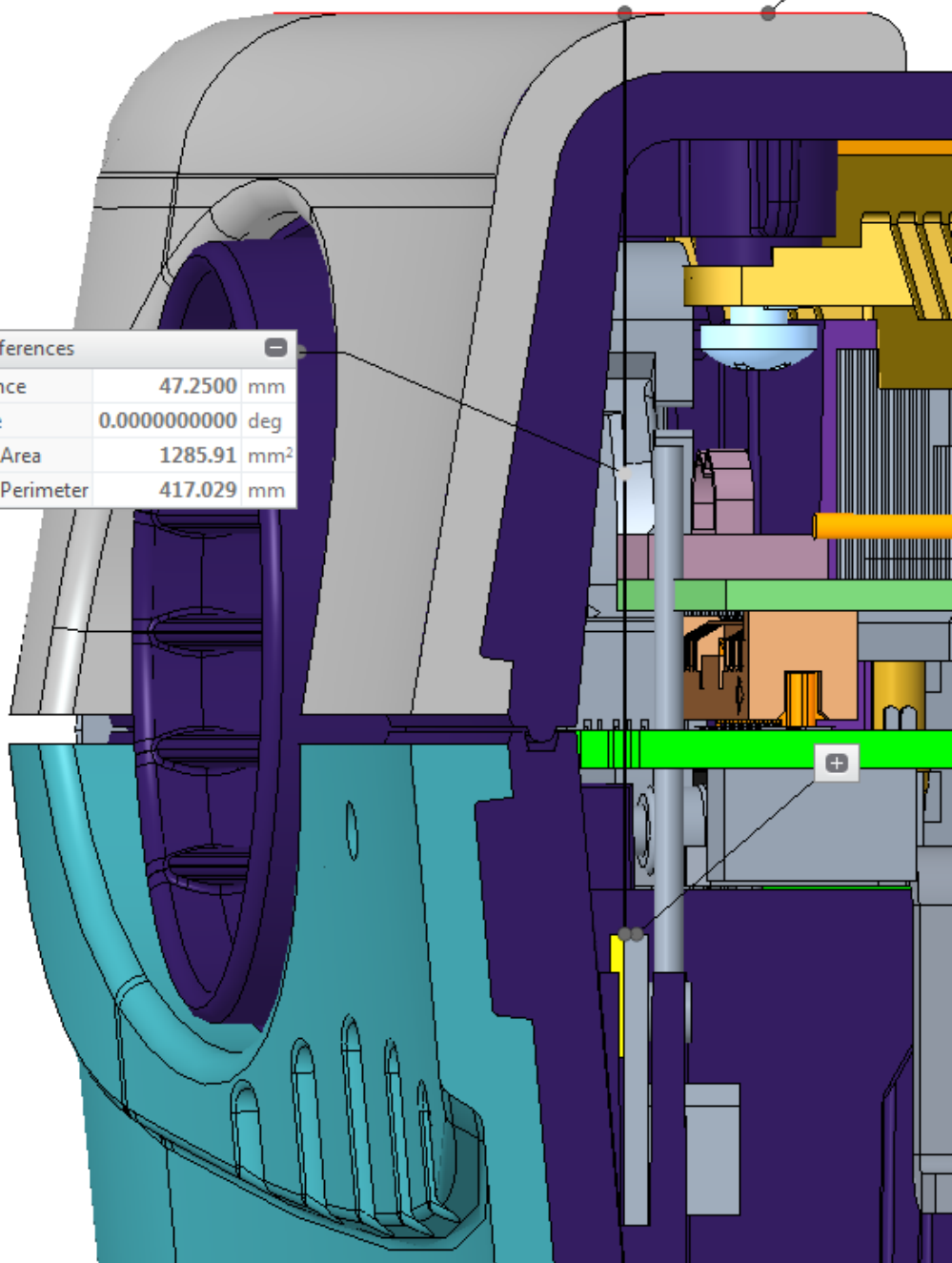
Antenna PCB Top
To
Front Contour

39.03mm



Antenna PCB Top
To
Front

47.25mm

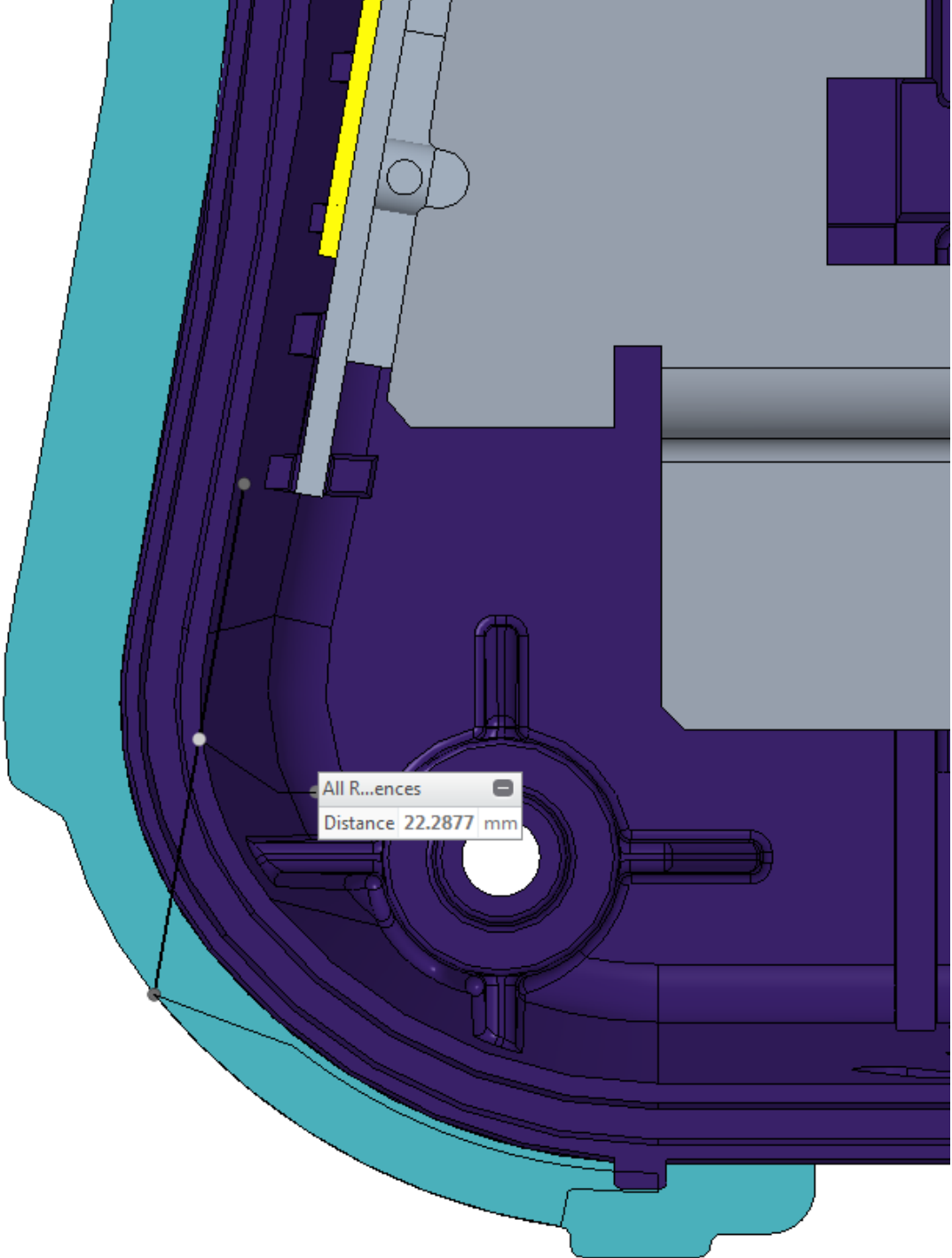


The image shows a 3D CAD model of an antenna PCB assembly. A dimension callout is applied to a horizontal green layer, indicating a distance of 47.2500 mm. The model includes various components such as a purple antenna structure, a yellow PCB, and a blue base. A table of properties is displayed for the dimensioned feature.

All References	
Distance	47.2500 mm
Angle	0.0000000000 deg
Total Area	1285.91 mm ²
Total Perimeter	417.029 mm

Antenna PCB Side
To
Bottom Contour

22.29mm



Antenna PCB Side
To
Bottom

34.07mm

