

Appendix B: Photographs



Figure B1. Front of the DUT inside



Figure B2. Rear view of the DUT

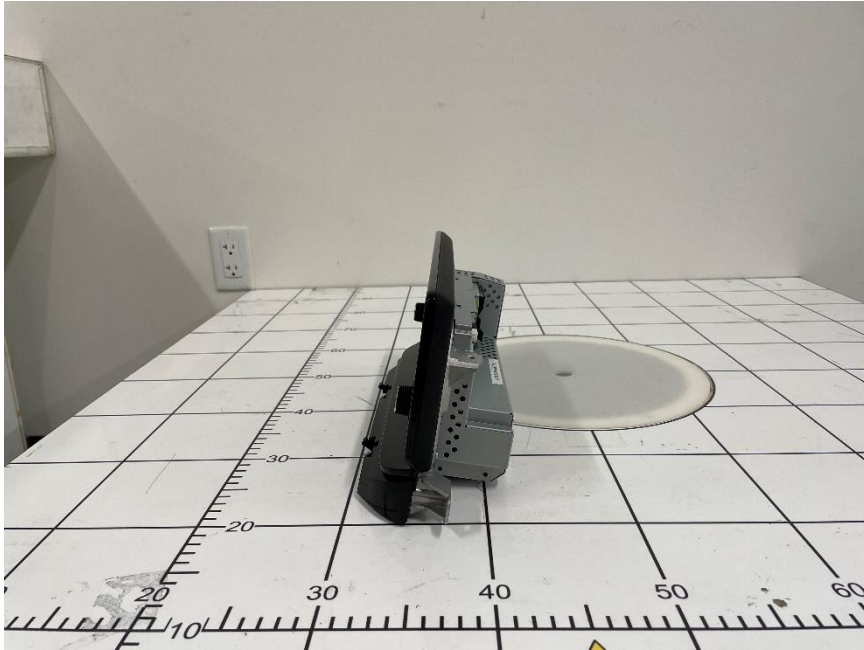


Figure B3. Side view of the DUT

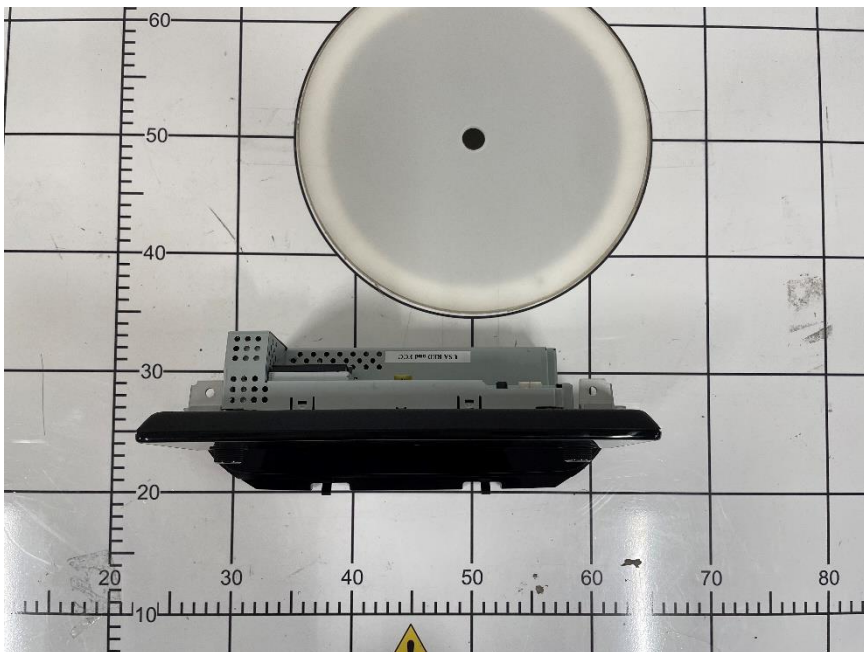


Figure B4. Top view of the DUT

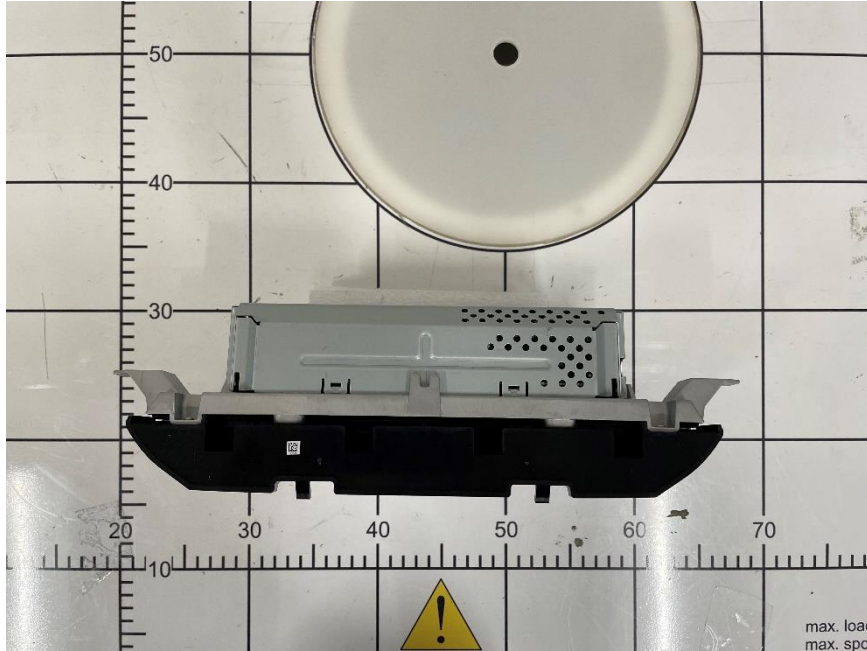


Figure B5. Bottom view of the DUT



Figure B6. Radiated Emission test setup LR (0.03 – 1GHz)

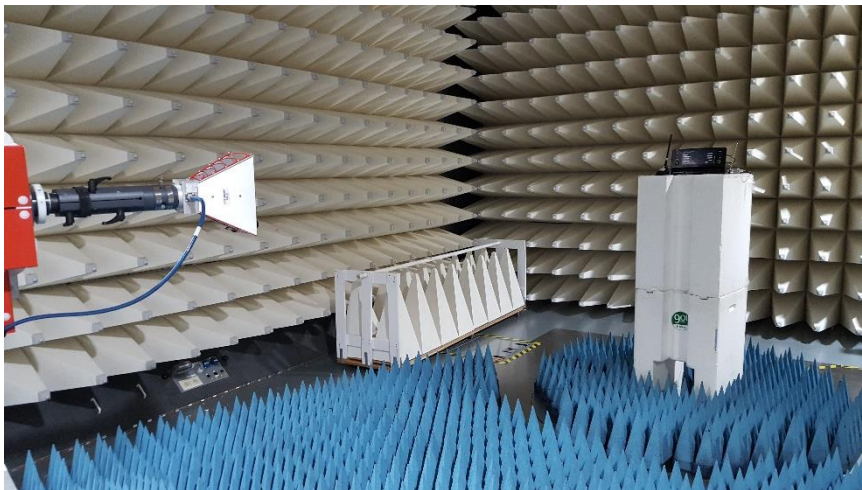


Figure B7. Radiated Emission test setup HR1 (1 – 18GHz)

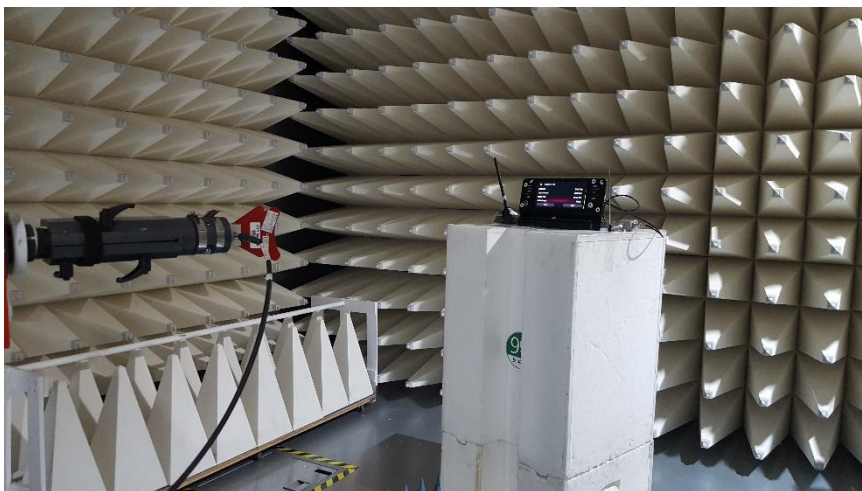


Figure B8. Radiated Emission test setup HR1 (18 – 26GHz)