



FCC LISTED, REGISTRATION
NUMBER: 2764.01

ISED LISTED REGISTRATION
NUMBER: 23595-1

Test report No:
2271ERM.002A1

Test report

**FCC Rules and Regulations CFR 47, Part 15, Subpart B (10-1-17 Edition)
&
ICES-003 ISSUE 6 – Update April (2017)**

Identification of item tested	Head unit with radio and Bluetooth
Trademark	Panasonic
Model and /or type reference	MIB3E_MQB_BT
Other identification of the product	FCC ID: WUQ-MIB3HBT IC: 216R-MIB3HBT PN: 654.035.867.A HW Version: X31 SW Version: X450
Features	Bluetooth, FM, AM, USB.
Manufacturer	PANASONIC AUTOMOTIVE SYSTEMS EUROPE GMBH Robert Bosch Str. 27-29-63225 Langen- Germany
Test method requested, standard	FCC Rules and Regulations CFR 47, Part 15, Subpart B (10-1-17 Edition) ICES-003 ISSUE 6 – Update April (2017)
Summary	IN COMPLIANCE
Approved by (name / position & signature)	Domingo Galvez EMC&RF Lab Manager
Date of issue	01-22-2019
Report template No	FDT08_21

Index

Competences and guarantees	3
General conditions	3
Uncertainty	3
Data provided by the client	4
Usage of samples	4
Test sample description	5
Identification of the client	6
Testing period and place	6
Document history	6
Modifications to the reference test report	7
Remarks and comments	7
Testing verdicts	8
Summary	8
List of equipment used during the test	8
Appendix A: Test results	9

Competences and guarantees

DEKRA Certification Inc. is a testing laboratory accredited by A2LA (The American Association for Laboratory Accreditation), to perform the tests indicated in the Certificate 2764.01

DEKRA Certification Inc. is a testing laboratory competent to carry out the tests described in this report.

In order to assure the traceability to other national and international laboratories, DEKRA Certification Inc. has a calibration and maintenance program for its measurement equipment.

DEKRA Certification Inc. guarantees the reliability of the data presented in this report, which is the result of the measurements and the tests performed to the item under test on the date and under the conditions stated on the report and, it is based on the knowledge and technical facilities available at DEKRA Certification at the time of performance of the test.

DEKRA Certification Inc. is liable to the client for the maintenance of the confidentiality of all information related to the item under test and the results of the test.

The results presented in this Test Report apply only to the particular item under test established in this document.

IMPORTANT: No parts of this report may be reproduced or quoted out of context, in any form or by any means, except in full, without the previous written permission of DEKRA Certification Inc.

General conditions

1. This report is only referred to the item that has undergone the test.
2. This report does not constitute or imply on its own an approval of the product by the Certification Bodies or competent Authorities.
3. This document is only valid if complete; no partial reproduction can be made without previous written permission of DEKRA Certification Inc.
4. This test report cannot be used partially or in full for publicity and/or promotional purposes without previous written permission of DEKRA Certification Inc. and the Accreditation Bodies.

Uncertainty

Uncertainty (factor $k=2$) was calculated according to the DEKRA Certification internal document PODT000.

Frequency (MHz)	U(k=2)	Units
30-180	3.82	dB
180-1000	2.61	dB
1000-18000	2.92	dB
18000-40000	2.15	dB

Data provided by the client

Automotive head unit to be installed in cars with the following features: Bluetooth, FM, AM, USB.

DEKRA declines any responsibility with respect to the information provided by the client and that may affect the validity of results.

Usage of samples

Samples undergoing test have been selected by: The client.

Sample S/01 is composed of the following elements:

Control N°	Description	Model	Serial N°	Date of reception
2271.044	Car Radio	MIB3E_MQB_BT	04S PM6- 00124.07.18413E0007	12/21/2018
2271.019	Antenna	-	380	10/02/2018
2271.038	Power Cable	-	-	12/21/2018
2271.052	BNC to Fakra RF cable			12/28/2018
2271.053	SMA to Fakra RF cable			12/28/2018
2271.054	BNC to Fakra RF cable	-	-	12/28/2018
2271.055	BNC 1 to 2-way splitter			12/28/2018

-
1. Sample S/01 used for Radiated Emission tests indicated in appendix A.

Test sample description

Ports..... :	Port name and description	Cable					
		Specified max length [m]	Attached during test	Shielded	Coupled to patient ⁽³⁾		
	<i>No Data provided</i>		<input type="checkbox"/>	<input type="checkbox"/>	<input type="checkbox"/>		
			<input type="checkbox"/>	<input type="checkbox"/>	<input type="checkbox"/>		
Supplementary information to the ports..... :							
Rated power supply	Voltage and Frequency		Reference poles				
			L1	L2	L3	N	PE
	<input type="checkbox"/>	AC:	<input type="checkbox"/>	<input type="checkbox"/>	<input type="checkbox"/>	<input type="checkbox"/>	<input type="checkbox"/>
	<input type="checkbox"/>	AC:	<input type="checkbox"/>	<input type="checkbox"/>	<input type="checkbox"/>	<input type="checkbox"/>	<input type="checkbox"/>
	<input type="checkbox"/>	DC:					
<input checked="" type="checkbox"/>	DC: 12 Vdc						
Rated Power	<i>No Data provided</i>						
Clock frequencies	<i>No Data provided</i>						
Other parameters..... :	<i>No Data provided</i>						
Software version	X450						
Hardware version..... :	X31						
Dimensions in cm (W x H x D).... :	<i>Data not provided</i>						
Mounting position..... :	<input type="checkbox"/>	Table top equipment					
	<input type="checkbox"/>	Wall/Ceiling mounted equipment					
	<input type="checkbox"/>	Floor standing equipment					
	<input type="checkbox"/>	Hand-held equipment					
	<input checked="" type="checkbox"/>	Other: Car Equipment					
Modules/parts	Module/parts of test item		Type	Manufacturer			
	<i>No Data provided</i>						

Accessories (not part of the test item)	Description	Type	Manufacturer
	<i>Not Provided Data</i>		
Documents as provided by the applicant.....	Description	File name	Issue date
	<i>FDT30_14 Data Declaration Equipment Data</i>		

Copy of Marking plate:



Identification of the client

PANASONIC AUTOMOTIVE SYSTEMS EUROPE GMBH
Robert Bosch Str. 27-29-63225 Langen- Germany.

Testing period and place

Test Location	DEKRA Certification Inc.
Date (start)	01-15-2019
Date (finish)	01-17-2019

Document history

Report number	Date	Description
2271ERM.002	01-22-2019	First release
2271ERM.002A1	02-22-2019	Revision 1

Modifications to the reference test report

It was introduced the following modifications in respect to the test report number 2271ERM.002 related with the same samples, in the next clauses and sub-clauses:

Clauses/ Sub-Clauses	Modification	Justification
Page 12/ Description of The Operation Modes	Operation mode Elaborated with details	Requested by the reviewer

This modification in test report cancels and replaces the test report 2271ERM.002.

Environmental conditions

In the control chamber, the following limits were not exceeded during the test:

Temperature	Min. = 15 °C Max. = 35 °C
Relative humidity	Min. = 30 % Max. = 75 %
Air pressure	Min. = 860 mbar Max. = 1060 mbar

In the semianechoic chamber, the following limits were not exceeded during the test.

Temperature	Min. = 15 °C Max. = 35 °C
Relative humidity	Min. = 30 % Max. = 75 %
Air pressure	Min. = 860 mbar Max. = 1060 mbar

In the chamber for conducted measurements, the following limits were not exceeded during the test:

Temperature	Min. = 15 °C Max. = 35 °C
Relative humidity	Min. = 30 % Max. = 60 %
Air pressure	Min. = 860 mbar Max. = 1060 mbar

Remarks and comments

The tests have been performed by the technical personnel: Koji Nishimoto & Poojita Bhattu

Testing verdicts

Not applicable :	N/A
Pass :	P
Fail :	F
Not measured :	N/M

Summary

Emission Test			
Report Section	Requirement – Test case	Verdict	Remark
A.1	Radiated emission test (30 MHz – 1000 MHz)	P	N/A
A.1	Radiated emission test (1 GHz – 18 GHz)	P	Refer 1
-	Radiated emission test (18 GHz – 40 GHz)	N/A	Refer 1
-	Conducted emission test (150 KHz to 30 MHz)	N/A	Refer 2
<u>Supplementary information and remarks:</u>			
<p>1) As per standard 47 CFR 15.33 due to the highest frequency generated or used in the device is above 1000MHz the upper frequency of measurement range is up to 5th harmonic of the highest frequency or 40GHz, whichever is lower.</p> <p>2) The test is not applicable, not required by the standard.</p>			

List of equipment used during the test

CONTROL NUMBER	DESCRIPTION	MANUFACTURER	MODEL	LAST CALIBRATION	NEXT CALIBRATION
1014	Signal Analyzer	ROHDE & SCHWARZ	FSV40	2017/03	2019/03
1012	EMI Test Receiver	ROHDE & SCHWARZ	ESR26	2018/09	2020/09
1058	Double Ridged Waveguide Horn Antenna	ETS LINDGREN	3115	2017/03	2020/03
1055	Double Ridged Waveguide Horn Antenna	ETS LINDGREN	3116C	2016/12	2019/12
1065	Biconilog Antenna	ETS LINDGREN	3142E	2017/03	2020/03
0981	Preamplifier	BONN ELEKTRONIK	BLMA 0118-2A	2017/05	2019/05
0980	Preamplifier	BONN ELEKTRONIK	BLNA 0360-01N	2017/05	2019/05
0982	Preamplifier	BONN ELEKTRONIK	BLMA1840 -1M	2017/05	2019/05
1017	EMC measurement software	ROHDE & SCHWARZ	EMC32 V9.01	---	---

Appendix A: Test results

Appendix A Content

DESCRIPTION OF THE OPERATION MODES	11
A.1 RADIATED EMISSION. ELECTROMAGNETIC FIELD MEASURE	12

DESCRIPTION OF THE OPERATION MODES

The operation modes described in this paragraph constitute a functionality of the sample under test for itself.

The operation modes used by the samples to which the present report refers, are shown in the following table:

OPERATION MODE	DESCRIPTION
OM#01*	EUT ON. Power Supply 12Vdc. <ul style="list-style-type: none">- AM Radio Receiver mode- FM Radio in Receiver mode- Bluetooth in Idle mode

* Worst case detected

A.1 RADIATED EMISSION. ELECTROMAGNETIC FIELD MEASURE

LIMITS:	Product standard:	FCC CFR 47, Part 15, Subpart B (10-1-17 Edition), Secs. 15.109 & ICES-003 Issue 6 – Update April (2017)
	Test standard:	FCC CFR 47, Part 15, Subpart B (10-1-17 Edition), Secs. 15.109 & ICES-003 Issue 6 – Update April (2017); ANSI C63.4 (2014)

Limits of interference Class B

The applied limit for radiated emissions, 3 m distance, according with the requirements of FCC Rules and Regulations 47 CFR Part 15, Subpart B (10-01-17 Edition), Secs. 15.109 & ICES-003 Issue 6 – Update April (2017) in the frequency range 30 MHz to 40 GHz for class B equipment.

Frequency range (MHz)	QP Limit for 3 m	
	(μ V/m)	(dB μ V/m)
30 to 88	100	40
88 to 216	150	43.5
216 to 960	200	46
Above 960	500	54

Frequency range (MHz)	AVG Limit for 3 m		PK Limit for 3 m ⁽¹⁾
	(μ V/m)	(dB μ V/m)	(dB μ V/m)
Above 1000	500	54	74

(1) Frequencies above 1 GHz, the limit on peak radio frequency emissions is 20 dB above the maximum permitted average emission limit applicable to the equipment under test, as per §15.35(b)

TEST SETUP:

All radiated tests were performed in a semi-anechoic chamber. The measurement antenna is situated at a distance of 3 m for the frequency range 30-1000 MHz (Bilog antenna) and at a distance of 1m for the frequency range 1-40 GHz (1 GHz-18 GHz and 18 GHz-40 GHz Double ridge horn antennas).

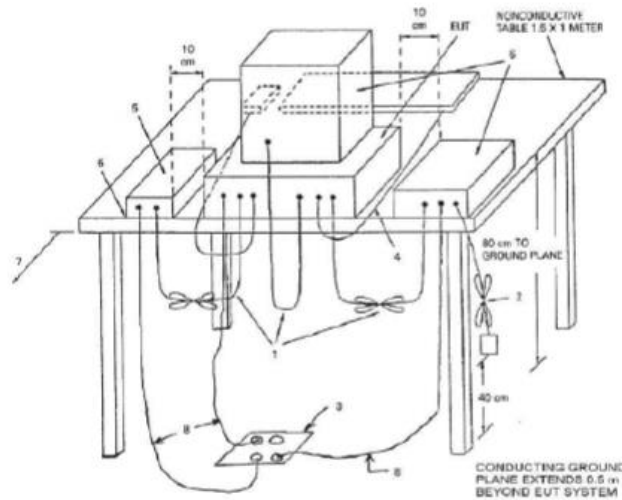
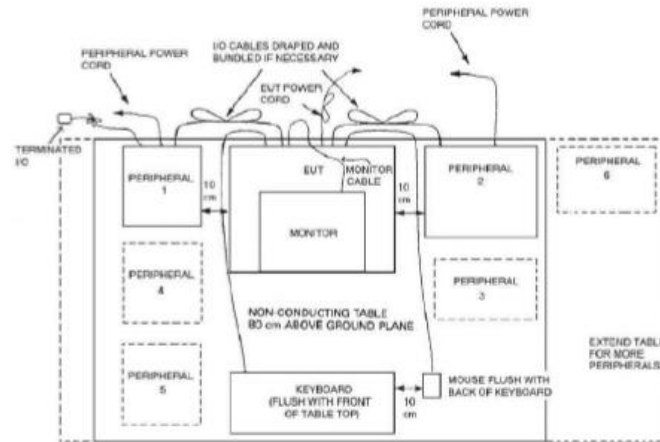
For radiated emissions in the range 1-40 GHz that is performed at a distance closer than the specified distance, an inverse proportionality factor of 20 dB per decade is used to normalize the measured data for determining compliance.

The equipment under test was set up on a non-conductive platform above the ground plane and the situation and orientation was varied to find the maximum radiated emission. It was also rotated 360° and the antenna height was varied from 1 to 4 meters to find the maximum radiated emission.

Measurements were made in both horizontal and vertical planes of polarization.

The field strength is calculated by adding correction factor to the measured level from the spectrum analyzer. This correction factor includes antenna factor, cable loss and pre-amplifiers gain

TEST SETUP (cont).



TESTED SAMPLES:

S/01

TESTED OPERATION MODES:

OM#01

TEST RESULTS:

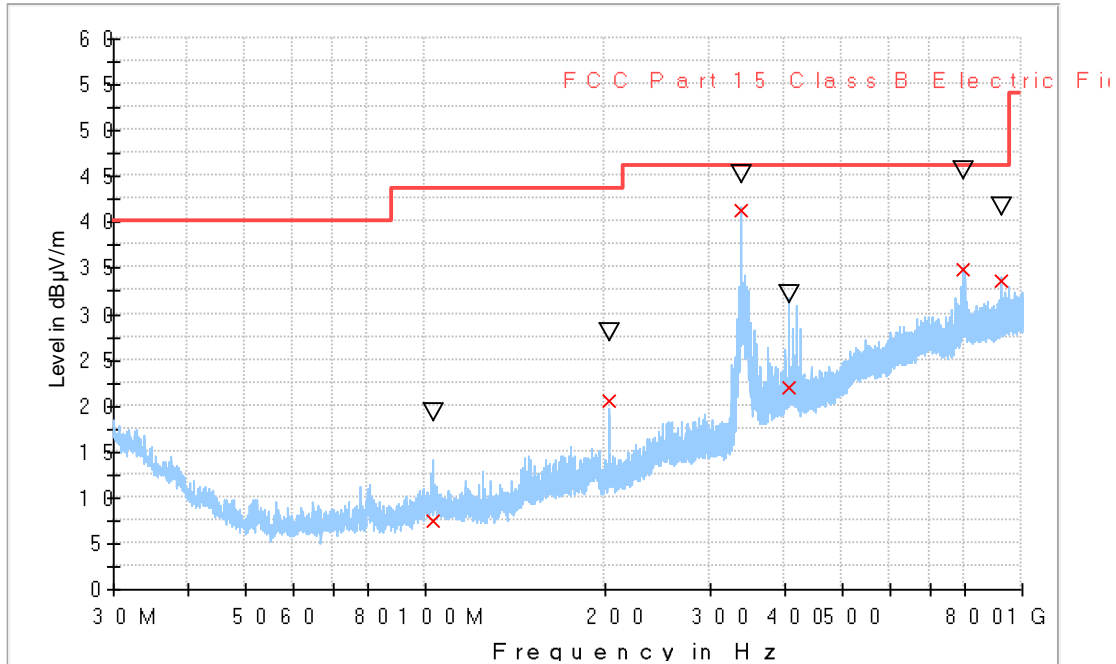
CRmmnxx: CR, Radiation Condition; mm: Sample number; nn: Operation mode, xx: Range,

CRmmnxx	Description	Result
CR0101LR	Range 30 - 1000 MHz. Horizontal & Vertical Polarization.	P
CR0101HR	Range 1 GHz - 18 GHz. Horizontal & Vertical Polarization.	P

Radiated Emission. CR0101LR

Project: 02271ERM002A1
 Company: Panasonic EU
 Sample: S/01
 Operation mode: OM#01
 Description: EUT ON. IDLE. Power Supply 12Vdc. Both polarizations.

Full Spectrum



— Preview Result 1 - PK +
 — FCC Part 15 Class B Electric Field Strength QP + AV
 x Final Result QPK
 ▽ Final Result PK +

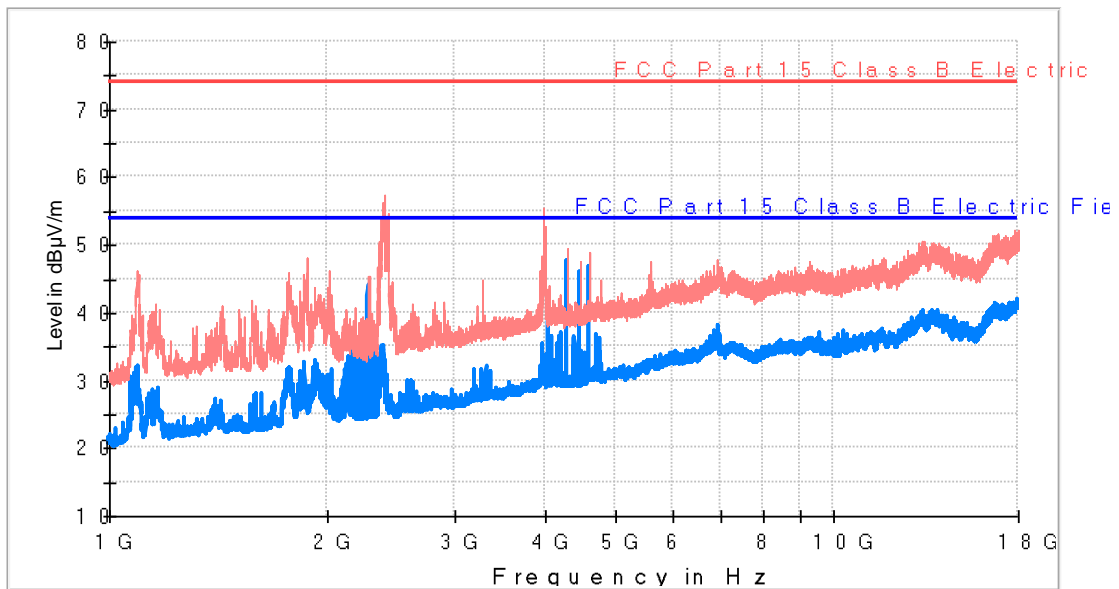
Final_Result

Frequency (MHz)	QuasiPeak (dBµV/m)	MaxPeak (dBµV/m)	Height (cm)	Pol	Azimuth (deg)
102.820000	7.41	19.41	146.0	V	44.0
203.200000	20.45	27.97	147.0	H	112.0
338.680000	41.41	45.31	161.0	H	9.0
406.450000	22.07	32.21	184.0	H	-82.0
796.000000	34.83	45.72	175.0	H	-172.0
924.990000	33.64	41.73	100.0	V	31.0

Radiated Emission. CR0101HR

Project: 02271ERM002A1
 Company: Panasonic EU
 Sample: S/01
 Operation mode: OM#01
 Description: EUT ON. IDLE. Power Supply 12Vdc. Both polarizations.

R E F C C P a r t 1 5 C l a s s B 1 - 1 8 G H z



— AVG_MAXH
 — PK+_MAXH
 — FCC Part 15 Class B Electric Field Strength PK
 — FCC Part 15 Class B Electric Field Strength QP+AV

Maximizations

Frequency (MHz)	PK+_MAXH (dBµV/m)	AVG_MAXH (dBµV/m)	Pol	Azimuth (deg)
2282.968750	45.45	43.97	V	44.0
2397.718750	57.47	32.55	H	88.0
3973.937500	55.41	32.79	V	-14.0
4286.843750	49.46	47.67	V	3.0
4484.468750	47.48	45.99	V	-14.0
4599.750000	48.74	46.68	V	44.0