

Winplus Co., Ltd.

Date:2015-09-10

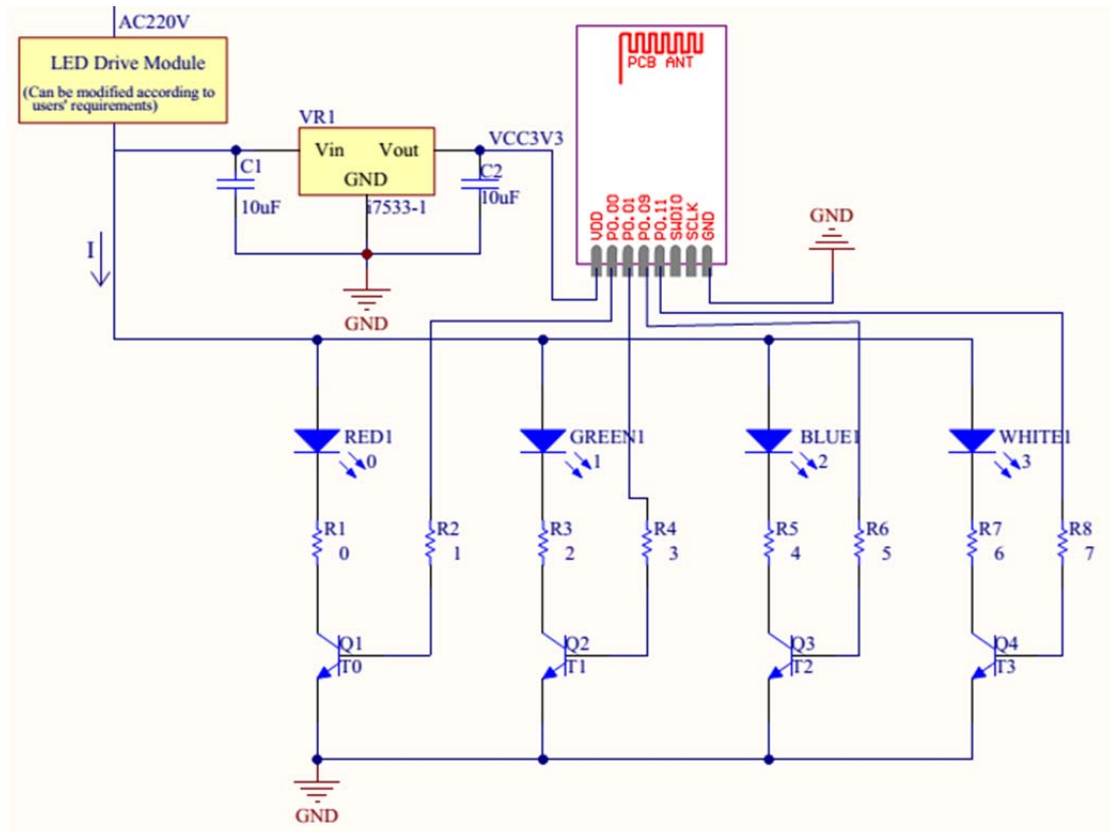
FCC ID: WUIYX-BM0X

Re: Limited single-modular transmitter

To Whom It May Concern

This is a complete RF module with an integral reference oscillator. External connections are provided for power and data communication. Its shardware resources include a ARM Core(cortex-m0),high sensitivity 2.4GHz transceiver,128K/256K embedded FLASH memory,16KB/32KB RAM, and other powerful subsidary resources, can be flexibly used in ultra-low power consumption, ultra-low sleep circuit system. Control command will be wrote into RAM. Pin VDD is power supply port. Pins P0.00,P0.01,P0.09 and P0.11 is PWM output ports. Its send control signals to external circuit system. Pins SWDIO and SCLK is signal ports. Pin GND is ground.

Application example



Remark:

1. The power of the LED Drive Module in above figure, should be chose according to actual customer requirement of the product's power. Recommended use is the Constant current module with output range from 16V~20V.
2. The LED count of series and paralle connections is decided by customer's designed power of the product. The values and power of R1,R3,R5,R7 are calculated according to the product's LED parameters.
3. To R2、 R4、 R6、 R8 ,the recommended resitance value and package are 100ohm and 0603.

Host Brand name: Winplus

Host model number: LM55369

Host manufacturer: Winplus Company Ltd

Signature:

Benson Leung / Director

Client's name / title

Winplus Co., Ltd.

