
LM561232

Microwave sensor for Ceiling light

Name: Microwave sensor for Ceiling light

Model No: LM561232

Revision: V1.0

Version	Remark	Approve	Date
V1.0	First release	Leo	2018-03-03

CONTENTS

1. Overview.....	3
2 .Applications.....	4
3 .Parameters.....	4
4 .Reference Circuit	5
5 .FCC Information.....	5
6 . IC Information.....	6

1.Overview

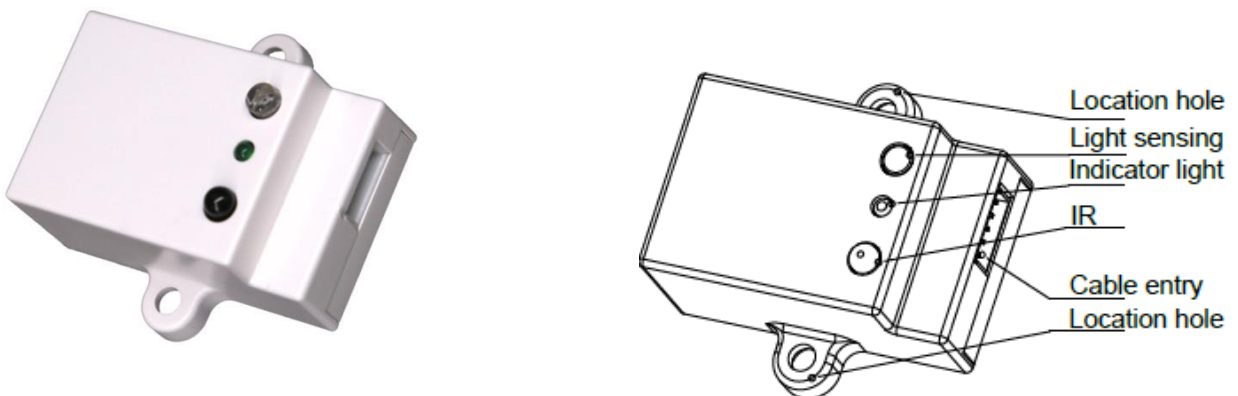
LM561232 series microwave sensor controller adopts PWM output control, which can be applied to most PWM modulation drives in the market. Controller adopts 5.8 G microwave induction technology, can effectively through the plastic, glass and other nonmetal dielectric objects for motion detection, combined with independent research and development of microwave induction IC carol and precise algorithm can accurately identify the object movement distance, error rate is less than 10%. Combined with remote control, it can set up sensor range, light sensor, sensor brightness, delay time, etc., and make personalized lighting effect Settings.

Applicable for living room, bathroom, passage.

Key Features:

- DC 5V Input.
 - PWM Output.
 - Mini shape design, applicable to a wider range.
 - Built-in light sensor to effectively identify environmental illumination.
 - Sensor range, delay time and light sensor can be set by remote control -
- The induction distance can reach about 10m.
- Meeting standard of FCC, CE, RoHS, REACH.
 - Operation Temperature: -20°C to +50°C.

Controller Picture :



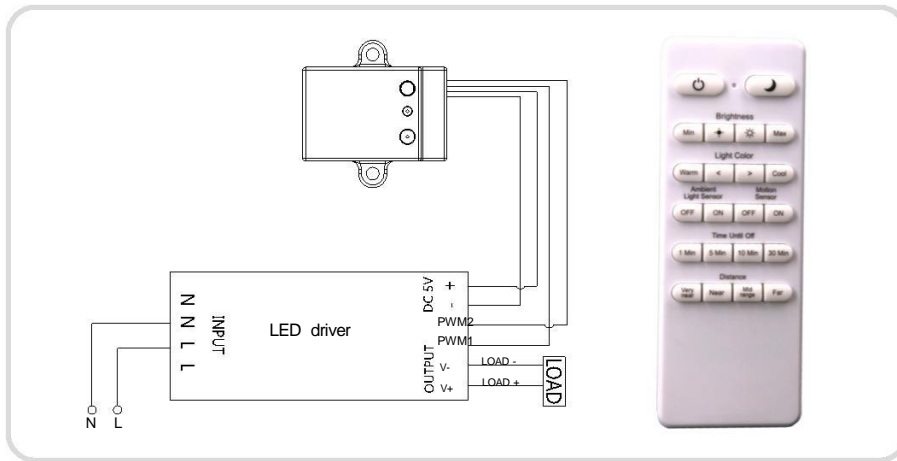
2. Applications

- lighting.
- Intelligent home products.
- Security equipment.
- Intelligent sensing devices.

3. Parameters

Controller	LM56123	
Electrical parameters	Input voltage	DC 5V
	Input current	20-28mA
	Standby power	<0.15W
	Output voltage	DC 5V (PWM)
Microwave sensor parameter	Microwave frequency	5750-5856MHz
	Transmission power	<0.5mW
	Microwave sensor switch	On/Off
	Brightness setting	Min/Bright-/Bright+/Max
	Time unitl dim	30S/4min/9min/29min
	Time unitl off	30S/1min/1min/1min
	Light sensor setting	Off/Night
	Distance setting	Very near/Near/Mid range/Far

4. Reference Circuit



5. FCC Information

This device complies with Part 15 of the FCC Rules.

Operation is subject to the following two conditions: (1) this device may not cause harmful interference, and (2) this device must accept any interference received, including interference that may cause undesired operation.

THE MANUFACTURER IS NOT RESPONSIBLE FOR ANY RADIO OR TV INTERFERENCE CAUSED BY UNAUTHORIZED MODIFICATIONS OR CHANGE TO THIS EQUIPMENT. SUCH MODIFICATIONS OR CHANGE COULD VOID THE USER'S AUTHORITY TO OPERATE THE EQUIPMENT.

This equipment has been tested and found to comply with the limits for a Class B digital device, pursuant to part 15 of the FCC Rules. These limits are designed to provide reasonable protection against harmful interference in a residential installation. This equipment generates, uses and can radiate radio frequency energy and, if not installed and used in accordance with the instructions, may cause harmful interference to radio communications. However, there is no guarantee that interference will not occur in a particular installation. If this equipment does cause harmful interference to radio or television reception, which can be determined by turning the equipment off and on, the user is encouraged to try to correct the interference by one or more of the following measures:

- Reorient or relocate the receiving antenna.
- Increase the separation between the equipment and receiver.
- Increase the separation between the equipment and receiver.
- Consult the dealer or an experienced radio/TV technician for help.

This equipment complies with FCC RF radiation exposure limits set forth for an uncontrolled environment.

To satisfy FCC exterior labeling requirements, the following text must be placed on the exterior of the end product "Contains Transmitter module FCC ID: WUI-LM561232"

6. IC Information

-English:

1. This device complies with Industry Canada RSS standard(s). Operation is subject to the following two conditions: (1) this device may not cause interference, and (2) this device must accept any interference, including interference that may cause undesired operation of the device.

2. Changes or modifications not expressly approved by the party responsible for compliance could void the user's authority to operate the equipment.

This equipment complies with ISED RF radiation exposure limits set forth for an uncontrolled environment.

-French:

Le présent appareil est conforme aux CNR d'Industrie Canada applicable aux appareils radio Exemptés de licence. L'exploitation est autorisée aux deux conditions suivantes :

(1) l'appareil ne doit pas produire de brouillage, et (2) l'utilisateur de l'appareil doit accepter tout brouillage radioélectrique subi, même si le brouillage est susceptible d'en compromettre le fonctionnement."

Cet appareil est conforme aux limites d'exposition de rayonnement RF ISED établies pour un environnement non contrôlé.

Pour satisfaire la ISED extérieur étiquetage, le texte suivant doit être placé à l'extérieur du produit final "Contains émetteur module IC:7297A-LM561232".