

TOURING ITEMS
TYPES

T200 PLUS

2K AI Dash Cam + 1080P Rear Cam

Model: BT533643

Care & Use Instructions



**Important, retain for future reference:
Read carefully**

TABLE OF CONTENTS

1. Introduction	1
2. Package Contents	2
3. Product Specifications	3
4. Product Dimension	4
5. Product Overview	5
6. Button Configuration	6
7. Before You Start.....	6
8. Installation	7
9. Initial Setup	9
10. Camera Status & LED Indicators	10
11. Recording Time.....	10
12. Technical Specifications	10
13. Downloading and use the TYPE S Drive App	11
14. Safety Information	12
15. Maintenance & Warranty	14
16. General Information	16

1. INTRODUCTION

Please read all of the installation instructions carefully before installing the product. Improper installation will void the manufacturer's warranty. The installation instructions do not apply to all types of vehicles, and are written as guidelines to assist in installing the product.

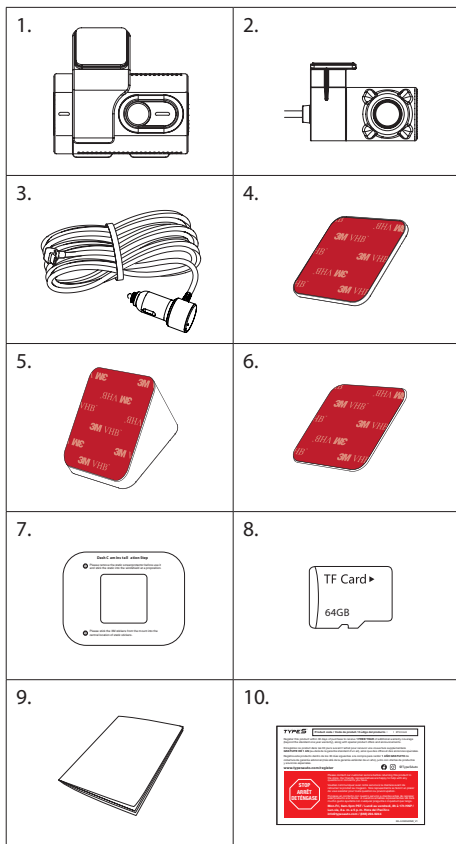
Consult an experienced technician if you are not comfortable installing the product. You can also contact TYPE S at **866.294.9244** to speak to one of our installation specialists if you have any specific questions regarding this product.

BEFORE using the AI Dashcam, please read the safety information provided in this user manual. ALWAYS use the product as outlined in this user manual.

Please make sure to read and understand all local laws and regulations regarding cameras and their use in a vehicle. Laws vary by state.

2. PACKAGE CONTENTS

1. 1 x 2K AI Dashcam
2. 1 x Rear Camera
3. 1 x 12 / 24V Power Adapter
4. 1 x 3M VHB™ Mount (Tilted Windshield)
5. 1 x 3M VHB™ Mount (Vertical Windshield)
6. 1 x 3M VHB™ Double Sided Tape (Spare)
7. 1 x Electrostatic Sticker
8. 1 x 64GB MicroSD Card (Class:U3)
9. 1 x Instruction Manual
10. 1 x Warranty Card



3. PRODUCT SPECIFICATIONS

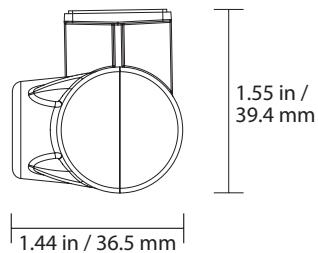
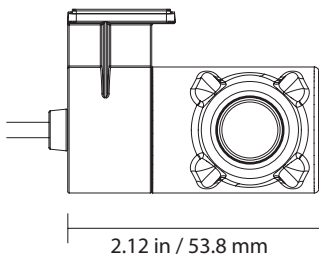
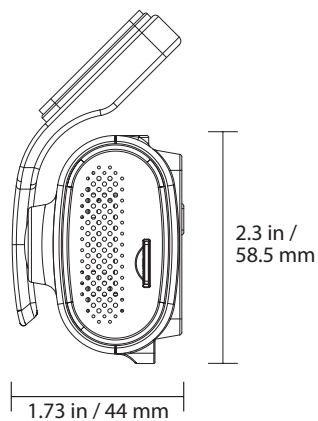
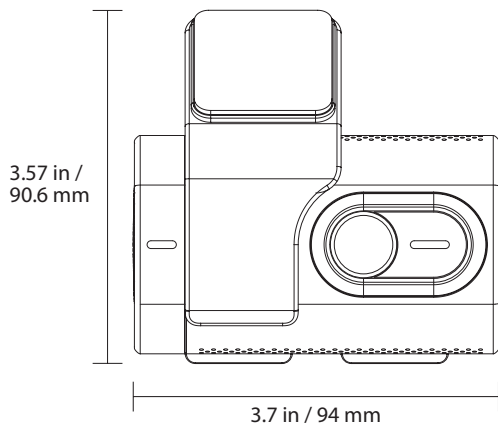
2K AI Dashcam

Screen:	3" IPS
Resolution:	2K QHD (2560 x 1440p)
Frequency:	2.4GHz
Operating Voltage:	DC 12 / 24V - Cigarette Lighter Adapter (CLA)
Operating Temperature:	14°F~140°F (-10°C~60°C)
Viewing Angle:	123° (optical diagonal field of view)
Image Sensor:	4MP
Maximum Signal Range:	9.84 Feet/3 Meters (without interference or obstruction)

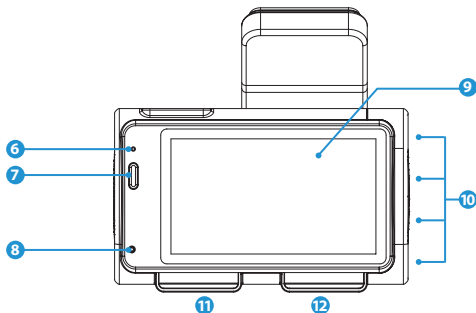
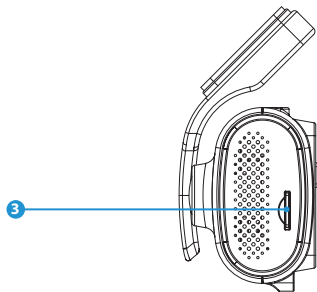
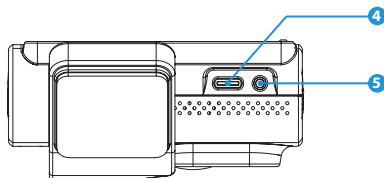
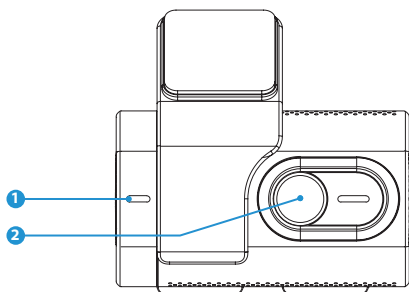
Rear Camera

Resolution:	1080P FHD (1920 x 1080p)
Operating Voltage:	DC 5V
Operating Temperature:	14°F~140°F (-10°C~60°C)
Viewing Angle:	122° (optical diagonal field of view)
Image Sensor:	2MP

4. PRODUCT DIMENSION



5. PRODUCT OVERVIEW

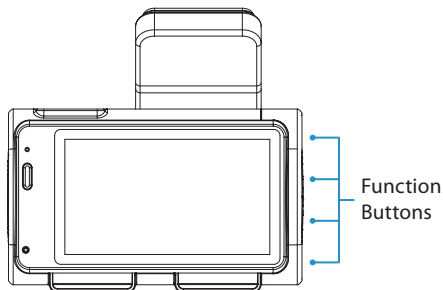






1. Speaker
2. Camera Lens
3. MicroSD Card Slot
4. USB-C Power Input
5. Rear Camera AV-IN Input
6. Microphone

7. Event Recording Button
8. LED Indicators
9. Display Screen
10. Function Buttons
11. Orange Warning Light - Left Blind Spot
12. Green Warning Light - Right Blind Spot

6. BUTTON CONFIGURATION

Apply configuration and settings to the AI Dashcam using the 4 function buttons. Please refer to the section below for the functions of each button under different modes.



-  Switch between ADAS/PIP/Front/Rear display (click once)
-  Microphone On/Off (click once)
-  Snapshot (click once)
Record (press and hold)
-  Open Settings Menu (click once)

NOTE: PIP (picture-in-picture) and Rear views only available when the Rear Camera is connected.

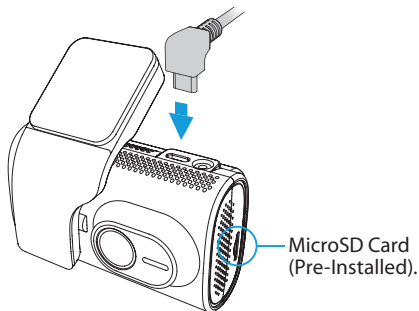
For more information about AI Dashcam operation, please refer to the e-manual on www.typesauto.com.

7. BEFORE YOU START

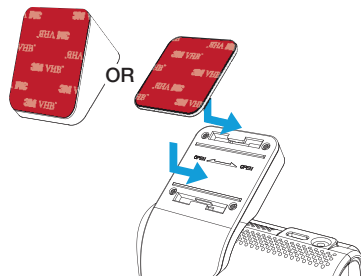
Before installing onto your vehicle, please test the product by powering it on and connecting it to the TYPE S Drive App (Section 13). Please use this document as your reference for detailed instructions and product information.

8. INSTALLATION

- 1 Peel off the protective film from the display screen. Plug the power cable into the USB-C input port.

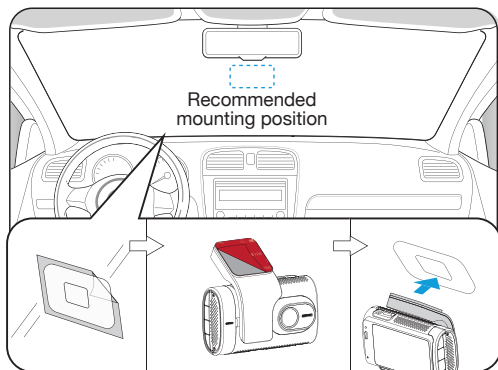


- 2 Insert and lock the Mount onto the AI Dashcam. Please select the appropriate Mount according to your windshield type (Vertical/Tilted).

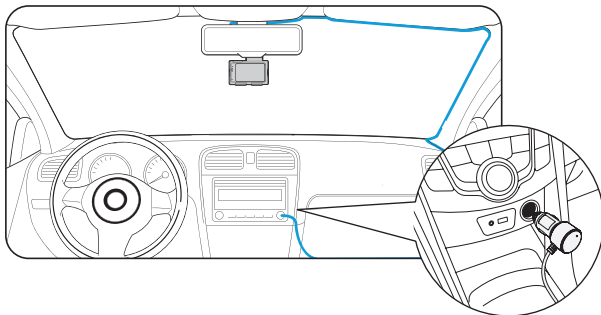


- 3 Attach the AI Dashcam onto the windshield:
 - Apply the electrostatic sticker onto the cleaned windshield and peel off the protective film.
 - Peel off the 3M VHB™ tape backer from the Dashcam Mount and attach the Dashcam onto the center of the sticker.

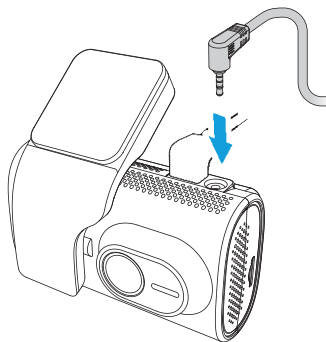
NOTE: To optimize the accuracy of AI calibration, we recommend placing the dashcam at the center of your windshield, right behind your rear view mirror.



- 4 Route and hide the power cable in the headliner and pillars in your vehicle. We recommend going through the passenger side so the cable doesn't get into the driver's way.

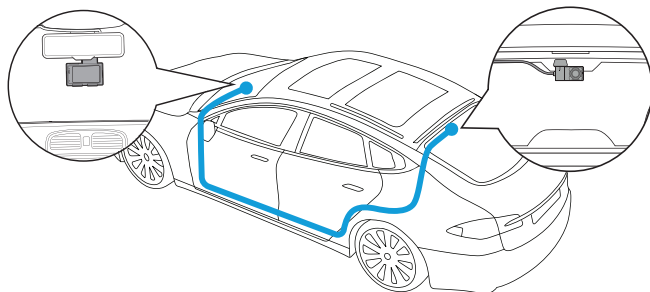


- 5 Plug the Rear Camera into the AV-IN port on the dashcam.



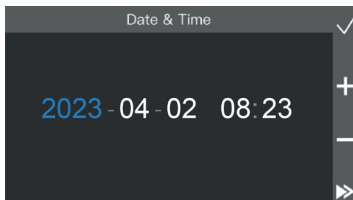
- 6 Mount the Rear Camera on the rear window inside your vehicle. Adjust the camera to your desired angle. Route and hide the power cable in your vehicle.

CAUTION: Please position the cable to the right while installing the Rear Camera to ensure proper orientation of captured images.



9. INITIAL SETUP

Set date & time. The date stamps that appear on all future recordings will follow this setting. Utilize + and - to adjust values. Click ▶ to proceed to the next field. Once you're done, select ✓ to confirm.



10. CAMERA STATUS & LED INDICATORS

Power / Mode Status	LED Indicators
Power On AI Dashcam powers ON when the engine is turned on.	Blue LED light stays on when AI Dashcam is powering on.
Recording	Red LED light stays on.
Recording Stopped	Blue LED light stays on.

11. RECORDING TIME

Memory Card Capacity	Total Recording Time	
	(2K + 1080P)	(1080P + 1080P)
64GB	At least 100 minutes	At least 150 minutes
128GB	At least 125 minutes	At least 175 minutes
512GB	At least 500 minutes	At least 700 minutes

NOTE: If you use your own MicroSD card please insert it into the AI Dashcam and format it before first use.

12. TECHNICAL SPECIFICATIONS

Memory Management

Mode	Resolution	1-Minute Video Size	Loop Period (64GB SD Card)
2K + 1080P	2560 X 1440 + 1920 X 1080	180MB	100 Minutes
1080 + 1080P	1920 X 1080 + 1920 X 1080	100MB	150 Minutes

Memory Card Capacity	Usable Space	System Reserve	Event	Video	Parking	Photo
64GB	58.9GB	5.1GB	17.6GB	29.4GB	5.8GB	5.8GB
128GB	114GB	14GB	34.2GB	57GB	11.4GB	11.4GB
512GB	462GB	50GB	138GB	230GB	46GB	46GB

13. DOWNLOADING AND USE THE TYPE S DRIVE APP

The AI Dashcam's auto sync function enables you to control and play back recorded media files using your smartphone with the TYPE S Drive App. Scan below QR code or search "TYPE S Drive" in the App Store or Google Play. Download and install the App.



SSID:
TYPE_S_DVR13_2K_xxxxxx

Password:
12345678



Compatible with iPhone, iPad,
Mac and iPod touch with iOS 11
or higher.



Compatible with devices with
Android™ 7.0 or higher.

Once installed, open the App and begin enjoying your TYPE S Drive App.

NOTE: The App is only available on smartphones with Apple iOS 11 or newer, and Android™ 7.0 or newer. The TYPE S Drive App is not accessible from tablets, browsers, or PCs.

14. SAFETY INFORMATION

IMPORTANT SAFETY INSTRUCTIONS

1. SAVE THESE INSTRUCTIONS – This manual contains important safety and operating instructions of 12/24V car charger for Model BT533643.
2. Before using the product, read all instructions and cautionary markings.
3. Do not expose car charger to rain, moisture, or snow.
4. Use of an attachment not recommended or sold by the product manufacturer may result in a risk of fire, electric shock, or injury to persons.
5. To reduce risk of damage to cigarette lighter connector and cord, pull by cigarette lighter connector rather than cord when disconnecting car charger.
6. Make sure the cord is located so that it will not be stepped on, tripped over, or otherwise subjected to damage or stress.
7. Do not operate the car charger with a damaged cord or cigarette lighter connector – replace the damaged items with new factory replacement items immediately.
8. Do not operate the car charger if it has received a sharp blow, been dropped, or otherwise damaged in any way; take it to a qualified serviceperson.
9. Do not disassemble the car charger; take it to a qualified serviceperson when service or repair is required. Incorrect reassembly may result in a risk of electric shock or fire.
10. To reduce risk of electric shock, unplug the charger before attempting any maintenance or cleaning. Turning off controls will not reduce this risk.

WARNING: A failure to read and follow these warnings and instructions may result in a serious accident, including damaged property or a serious injury, including loss of life.

- The AI Dashcam is designed as an aid to the driver in detecting large stationary objects to help avoid damaging the vehicle. However, you, the driver, must use it safely and properly. Use of the AI Dashcam is not a substitute for safe, proper and legal driving.
- Never depend on the AI Dashcam and Rear Cam entirely when driving and backing up. The image on the screen is different from actual conditions. Objects viewed in the AI Dashcam display screen differ from actual distance because a wide-angle lens is used.
- If you use Rear Camera, never back up while looking only at the screen. You should always check behind and around the vehicle when backing up just as you would if the vehicle did not have the Rear Camera. Always make sure your intended path is clear. If you back up while looking only at the monitor, you may hit a vehicle, pedestrian, bicyclist, child, pet or other object resulting in injury or death. Always back up slowly.

- The area displayed by the AI Dashcam and Rear Cam is limited. The AI Dashcam does not display objects that are out of the AI Dashcam's field of view. The area displayed on the screen may vary according to vehicle orientation or road conditions. The Rear Camera does not display objects that are close to or below the bumper, underneath the vehicle, or objects out of the camera's field of view. The area displayed on the screen may vary according to vehicle orientation or road conditions.
- Be sure to check the AI Dashcam's position and mounting angle before each use.
- Do not strike the AI Dashcam. It is a precision instrument. Otherwise, it may malfunction or cause damage resulting in a fire or an electric shock.
- This product will only provide images of items that are within the field of view of the AI Dashcam. Thus, it is imperative that the AI Dashcam should be kept clean and unobstructed.
- Adhere to all applicable traffic laws and motor vehicle regulations applicable to the device.
- Consult local laws and regulations for any restrictions on installation or use.
- Never allow children to play with the device. Small parts may be a choking hazard.
- There is a plastic cover over the AI Dashcam. Do not scratch the cover when cleaning dirt or snow from the cover.
- If the temperature changes rapidly, the system may not operate normally.
- If you replace the tires, the area displayed on the monitor may change and you may need to adjust the camera.
- When strong light directly enters an AI Dashcam, objects may not be displayed clearly.
- The screen may flicker under fluorescent light.
- The colors of objects on the AI Dashcam may differ from those of the actual objects.
- Do not use alcohol or thinner to clean the AI Dashcam. This will cause discoloration. To clean the AI Dashcam, wipe with a clean cloth dampened with mild cleaner diluted with water and then wipe with a dry cloth.

SAFETY AROUND AND BEHIND OTHER VEHICLES

Many preventable injuries and deaths occur in driveways or parking lots when drivers do not see children, pets, or others near their vehicles. Here are a few safety tips that will help you to avoid a back-over accident:

- Walk completely around your vehicle before getting in. Check for kids, toys, and pets before entering the vehicle and starting the engine.
- Know where children are. Have children stand in a place where they are in full view.

- Be aware of young children. Young children are small and hard to see.
- Parents, caregivers and all adults need to be vigilant in supervising children, especially when children are in the yard, driveway or parking lot playing near parked cars.
- Roll down your window so you will be able to hear what is happening outside your vehicle.
- Owners of SUVs, trucks, and vans need to take extra care to avoid hitting or running over a child.
- Teach children to move away from a vehicle whenever it is started.

15. MAINTENANCE & WARRANTY

CLEANING

- If dirt, rain or snow attaches to the camera, the display screen may not clearly display objects. If water droplets, snow or mud adhere to the camera lens, rinse with water and wipe with a dry cloth.
- Do not use alcohol, benzene or thinner to clean the AI Dashcam. This will cause discoloration. To clean the AI Dashcam, wipe with a clean cloth dampened with mild cleaner diluted with water and then wipe with a dry cloth.

WARRANTY

- **TYPE S**

LIMITED WARRANTY

TYPE S warrants, to the original purchaser, that its products are free from defects in material and workmanship for 1 year from the date of original purchase. Where permitted by law, TYPE S liability shall be limited to that set forth in this limited express warranty. This limited express warranty shall be the exclusive remedy of the purchaser and TYPE S makes no other warranty of any kind aside from the limited express warranty stated above.

NOTE: Warranty only applies for North American customers of purchases made in North America.

CONDITIONS OF WARRANTY

If during the 1 year warranty period your new product is found to be defective, TYPE S will repair such defect, or replace the product, without charge for parts or labor subject to the following conditions:

1. All repairs must be performed by TYPE S.
2. All warranty claims must be accompanied by a copy of the sales receipt or bill of sale.
3. The equipment must not have been altered or damaged through negligence, accident, improper operation, or failure to follow the product instructions for installation, use, or care.

4. The replacement of parts is excluded from the warranty when replacement is necessary due to normal wear and tear.
5. Repair or replacement parts supplied by TYPE S under this warranty are protected only for the unexpired portion of the original warranty.
6. This is a "repair or replace" warranty only, and does not cover the costs incurred for the installation, removal or reinstallation of the product, or damage to any mobile phone device or vehicle.

OWNER'S RESPONSIBILITIES:

TYPE S will make every effort to provide warranty service within a reasonable period of time. SHOULD YOU HAVE ANY QUESTIONS ABOUT SERVICE RECEIVED OR IF YOU WOULD LIKE ASSISTANCE IN OBTAINING SERVICE, PLEASE CALL TOLL FREE 1.866.294.9244 DURING REGULAR BUSINESS HOURS MONDAY THROUGH FRIDAY 8:00 AM TO 5:00 PM.

NOTE: Toll Free # is for North America Customers ONLY. See Customer service section for customer contact numbers for other regions/offices.

For customer service and technical support, please call us at 1.866.294.9244. If at that time it is determined that a replacement unit is needed, the support representative will issue a Return Authorization and instruct on how to get a new unit. TYPE S makes no other warranty of any kind aside from the limited express warranty stated herein.

DISCLAIMER OF WARRANTIES, INCLUDING WARRANTY OF MERCHANTABILITY AND WARRANTY OF FITNESS FOR PARTICULAR PURPOSE: EXCEPT AS SPECIFICALLY SET FORTH HEREIN, NO WARRANTY OR REPRESENTATION, EXPRESS OR IMPLIED, IS MADE AS TO THE AI DASHCAM. EXCEPT AS EXPRESSLY SET FORTH HEREIN, TYPE S AND/OR ITS AFFILIATES EXPRESSLY DISCLAIMS, WITHOUT LIMITATION, ANY STATUTORY WARRANTIES AND ALL IMPLIED WARRANTIES, INCLUDING ANY IMPLIED WARRANTY OF MERCHANTABILITY OR FITNESS FOR A PARTICULAR PURPOSE.

TYPE S and/or its affiliates do not guarantee or promise that the user of AI Dashcam will not be in an accident or otherwise not collide with an object and/or person. Our AI Dashcam is not intended in any way to be a substitute for careful and cautious driving or for the consistent adherence to all applicable traffic laws and motor vehicle safety regulations.

The AI Dashcam is not intended to be a substitute for rearview mirrors or for any other motor vehicle equipment mandated by law. Even when properly installed, our AI Dashcam has a limited field of vision and does not provide a comprehensive view of the rear area of the vehicle.

TYPE S and/or its affiliates are not responsible for a user's intended or actual use of the AI Dashcam. In no event shall TYPE S and/or its affiliates have any liability for any losses (whether direct or indirect, in contract, tort or otherwise) incurred in connection with the AI Dashcam, including but not limited to damaged property, personal injury and/or loss of life. Neither shall TYPE S and/or its affiliates have any liability for any decision, action or inaction taken by any person in reliance on the AI Dashcam, or for any delays, inaccuracies and/or errors in connection with the AI Dashcam and its functioning.

TYPE S and/or its affiliates shall have no responsibility or liability for damage and/or injury resulting from accidents occurring with vehicles having the installed, and TYPE S and/or its affiliates, the manufacturer, distributor and seller shall not be liable for any injury, loss or damage, incidental or consequential, arising out of the use or intended use of the product.

16. GENERAL INFORMATION

CUSTOMER SERVICE/CONTACT

IF YOU ARE EXPERIENCING ANY ISSUES WITH THE PRODUCT DURING OPERATION, DO NOT RETURN THE PRODUCT TO THE STORE. CONTACT TYPE S DIRECTLY FOR INSTRUCTIONS ON HOW TO RETURN/ EXCHANGE THE PRODUCT.

FCC Compliance Statement:

This device complies with Part 15 of the FCC rules. Operation is subject to the following two conditions: (1) This device may not cause harmful interference, and (2) this device must accept any interference received, including interference that may cause undesired operation.

WARNING: Changes or modifications to this unit not expressly approved by the party responsible for compliance could void the user's authority to operate the equipment. The manufacturer is not responsible for any radio or TV interference caused by unauthorized modifications or change to this equipment. Such modifications or change could void the user's authority to operate the equipment.

NOTE: This equipment has been tested and found to comply with the limits for a Class B digital device, pursuant to part 15 of the FCC Rules. These limits are designed to provide reasonable protection against harmful interference in a residential installation. This equipment generates uses and can radiate radio frequency energy and, if not installed and used in accordance with the instructions, may cause harmful interference to radio communications. However, there is no guarantee that interference will not occur in a particular installation. If this equipment does cause harmful interference to radio or television reception, which can be determined by turning the equipment off and on, the user is encouraged to try to correct the interference by one or more of the following measures:

- Reorient or relocate the receiving antenna.
- Increase the separation between the equipment and receiver.
- Connect the equipment into an outlet on a circuit different from that to which the receiver is connected.
- Consult the dealer or an experienced radio/TV technician for help.

This equipment complies with FCC RF radiation exposure limits set forth for an uncontrolled environment. In order to avoid the possibility of exceeding the FCC radio frequency exposure limits, human proximity to the antenna shall not be less than 20cm during normal operation.

T200 PLUS

2K Full Coverage Dashcam with AI Driver Assistant Functions

BT533643

Responsible Party:

TYPE S

2975 Red Hill Ave., Ste. 100,
Costa Mesa, CA 92626, U.S.A.

Tel: 1-866-294-9244

Android is a trademark of Google Inc.

iPhone, iPad, Mac and iPod touch are trademarks of Apple Inc.

3M VHB™ is a trademark of 3M Company.



A Horizon Brands Company

2975 Red Hill Ave., Ste. 100, Costa Mesa, CA 92626, U.S.A.

1.866.294.9244 | info@typesauto.com

©2023 TYPE S. All rights reserved.

www.typesauto.com

ML-533643_V1

Product Label Information can be accessed at **Regulatory Info** page as follows.

Starting from Main Menu:

Step 1. Open Settings Menu

Step 2. Go to System Setting

Step 3. Go to Regulatory Info

