

DACOM

Model:M3
FCC ID:WTDM3

V4.1

Preface

Dear Customer

Thank you for using Mono Bluetooth Headset. Please read the user manual carefully for proper instruction to maximize the advantage of our product. Our Bluetooth headset are well designed fashionably, smart and portable, pure acoustic and multi functional. We have patents for the whole series of our Bluetooth headsets. Our Bluetooth headsets are applied with the top advanced electro acoustic technology, providing you the best enjoyment of music any time at home, outdoor or business work, and provide the perfect acoustic with your notebook and any digital audio/visual devices. Lead you to wonderful music, enjoy healthy & happy life.

Precautions / Tips

Cautions

- Please keep or use this product at normal temperature;
- Do not expose this product in rain or moisture;
- Do not throw this product to avoid any damage;
- Do not disassemble, repair or reform this product;
- Do not clean this product with any chemical solvents;
- Please use USB power of DC5V for output when needed;
- Do not throw away or put it in high temperature (higher than 60° C) fire to avoid any danger.

Product Description

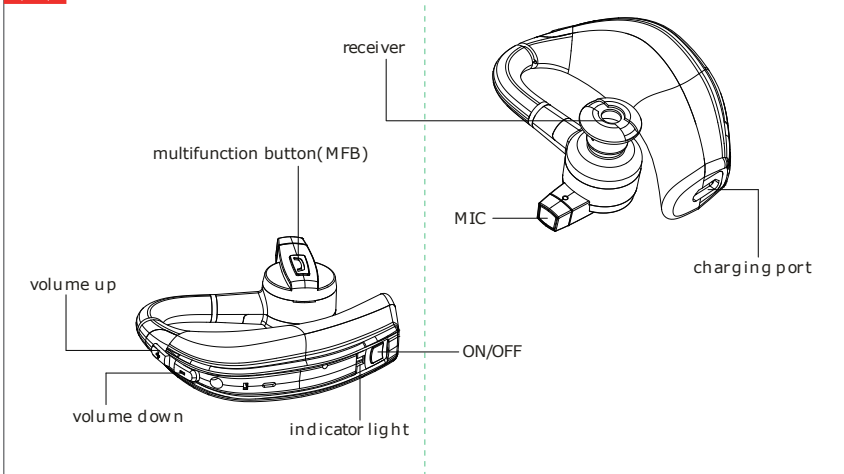
Means of charging:
- Power adapter output: DC5V 150mA

Battery standard:
- High-capability rechargeable lithium polymer battery
- Battery voltage: 3.7V (Additional function to protect battery)

Product standard:
- Bluetooth Version: V4.1
- Class 2 operation
- Talk time: about 7 hours
- Standby time: about 160 hours

- The Bluetooth headset can be applied to audio from any Bluetooth devices like mobile phones, notebooks.
- When being connected to Bluetooth DONGLE on PC, it can play any audio files on the computer. You can use it for voice chat to achieve wireless MSN SKYPE etc. .

Product schematic



Features

- Power on**-Press and hold "ON/OFF" button for about 3 seconds until the green indicator light is flashing.
- Power off**-When headset is power on, press and hold "ON/OFF" button for about 3 seconds until the red light indicator flash and goes off.
- Answering a call**-Press the answer key on your phone. -Press the multifunction button on your headset.
- Ending a call**-Press the end key on your phone. -Press the multifunction button on your headset.
- Rejecting a call**-Press the end key on your phone. -Press the multifunction button for 2 seconds on your headset.
- Redialing the last called number**-Double press the multifunction button when headset is in standby mode.
- Playing music**-When you are listening to the music, you can short press the MFB button to play and pause.

Features

- Previous/Next Track Selection**-Next song when press the "Volume down" 2 seconds. Previous song when press the "Volume up" 2 seconds.
- Volume control**-Volume will be "up" when short press the "Volume up" and will be "down" when short press the "Volume down".
- Voice dialing**-Your phone must support this function, when is in standby mode single press the multifunction button for 2 seconds.
- Voice Prompt**
 - When the headset is on, there will be the automatic voice prompt: "power on".
 - When the headset is off, there will be the automatic voice prompt: "power off".
 - When being connected successfully, there will be voice prompt: "your headset is connected".
 - When the battery is low, there will be voice prompt: "battery low".
 - When being disconnected, there will be voice prompt: "your headset is disconnected".

Features

- Pairing with your Smartphone**-Pair the Bluetooth headset for the first time.
 - The distance between the Bluetooth headset and your Bluetooth phone would be better within 1 meter when pairing.
 - Press "ON/OFF" button for 3 seconds, the headset is in pair status. Red light and green light flash alternately.
 - Set the phone to search for Bluetooth device.
 - When phone finds headset, confirm by selecting "LIGER" from list.
 - Enter pin code "0000" when prompted by phone.
 - Repeat above steps if the pairing was unsuccessful.
 - If pairing is successful, green light starts to flash.

Features

- Connect two Bluetooth devices the same time**
 - Pair the bluetooth headset to the first smartphone.
 - After pair successfully, turn off the headset, and also disable the bluetooth function of the first smartphone.
 - Pair the bluetooth headset to the second smartphone.
 - After pair successfully, turn on the bluetooth function of the first smartphone. Select the "LIGER" and click "connect".
 - Two smartphones will both connect the headset at the same time.
- Note**: While two mobile phones are connect one Bluetooth headset, some functions of the Bluetooth headset will be restricted.
- Charging the headset**-Your headset uses a rechargeable battery, you must charge the battery fully before using the headset for the first time.
 - Connect the USB charging cable to the USB charge port of the headset.
 - The light indicator will turn into red when charging.
 - The full charge takes about 2-3 hours.
 - The red light indicator goes out and the light indicator turns into green when charging completed.

Electrical Waste

This marking shown on the product or its literature indicates that it should not be disposed with other household wastes at the end of its working life.

To prevent possible harm to the environment or human health from uncontrolled waste disposal, please separate this from other types of wastes and recycle it responsibly to promote the sustainable reuse of material resources.

Household user should contact either the retailer where they purchased this product or their local government office, for details of where and how they can take this item for environmentally safe recycling.

Business users should contact their supplier and check the terms and conditions of the purchase contract. This product should not be mixed with other commercial wastes for disposal.

WARRANTY CARD

Item	Retailer name	Product series number	Telephone number	Date of sales	User address	Contact address	E-mail
Retailer information				User information			
							Remark

NOTE: This equipment has been tested and found to comply with the limits for a Class B digital device, pursuant to part 15 of the FCC Rules. These limits are designed to provide reasonable protection against harmful interference in a residential installation. This equipment generates, uses and can radiate radio frequency energy and, if not installed and used in accordance with the instructions, may cause harmful interference to radio communications. However, there is no guarantee that interference will not occur in a particular installation. If this equipment does cause harmful interference to radio or television reception, which can be determined by turning the equipment off and on, the user is encouraged to try to correct the interference by one or more of the following measures:

- Reorient or relocate the receiving antenna.
- Increase the separation between the equipment and receiver.
- Connect the equipment into an outlet on a circuit different from that to which the receiver is connected.
- Consult the dealer or an experienced radio/TV technician for help.

This device complies with part 15 of the FCC rules. Operation is subject to the following two conditions:

- (1) this device may not cause harmful interference, and
- (2) this device must accept any interference received, including interference that may cause undesired operation.

Changes or modifications to this unit not expressly approved by the party responsible for compliance could void the user's authority to operate the equipment.