



We help professionals create powerful, easy-to-use networks that automatically spread Internet connections throughout hotels, apartments, retail stores, restaurants, small and medium-sized businesses—and just about anywhere else.

The Open Mesh A Series access points are a modular, plug-and-play professional WiFi solution that works with CloudTrax, a free cloud-based network controller that can manage an unlimited number of switches, access points and networks around the world.

openmesh.com
© 2016 Open Mesh, Inc. All Rights Reserved.
#400 5 Centerpointe Drive, Lake Oswego, OR USA 97035

Ethernet or junction box mount

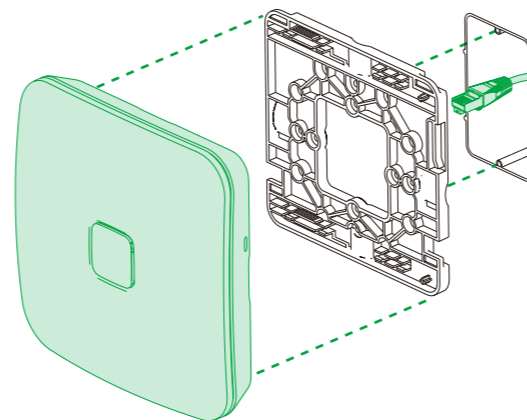
This access point can be mounted to any US or European-style junction box for secure installations in hotel and resort guest rooms, dorms, care facilities and more.

Attach the universal mounting plate with the smooth side against the wall to a junction box using the designated screw holes. Connect the small Ethernet cable (included) to the female connection in the wall, then pull it through the mounting plate and plug into Ethernet 1. Connect any pass-through device to Ethernet 2 and position the cable in the bottom channel of the access point. Next, place the access point over the mounting plate and slide down until it locks into place.

To unlock, insert a small, flat screwdriver into the hole on the side of the access point. Slide the access point until it disengages from the mounting plate.

Note: The pass-through port (Ethernet 2) is data only. No power is passed through the second port.

 openmesh.com/a-ethernet



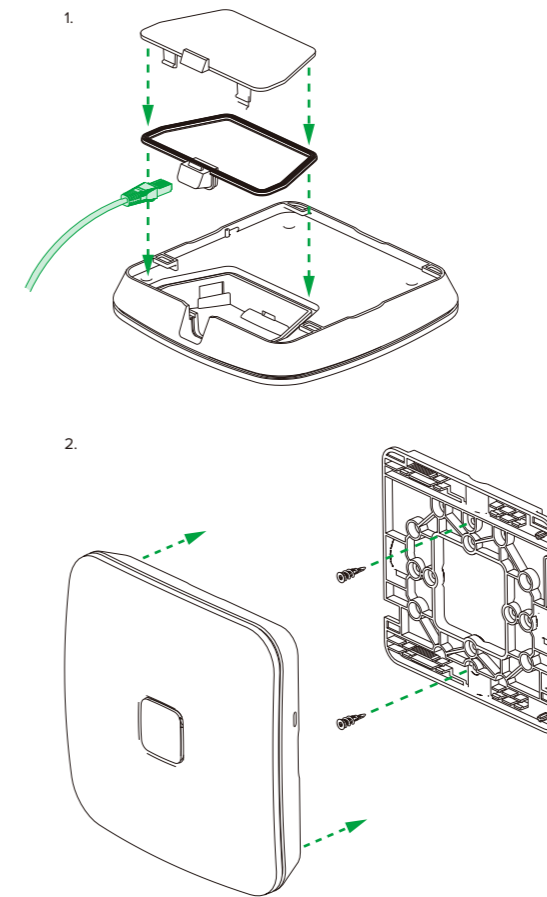
Mounting

This access point can be mounted to any wall or pole. Attach the universal mounting plate to any wall or pole using screws or zip ties (not included). The small tabs should be at the top of the plate so the cable exits through the bottom of the access point.

Open the slit in the side of the rubber gasket and place the Ethernet cable through the hole. Plug the cable into Ethernet 1. Place the rubber gasket into the channel surrounding the ports on the access point. Place the rear cover on the access point and snap into place. Finally, place the access point over the mounting plate and slide down until it locks into place.

To unlock, insert a small, flat screwdriver into the hole on the side of the access point. Slide the access point until it disengages from the mounting plate.

 openmesh.com/a-mount



A40

WiFi Access Point
Quick Start Guide

Federal Communication Commission Interference Statement

This equipment has been tested and found to comply with the limits for a Class B digital device, pursuant to Part 15 of the FCC Rules. These limits are designed to provide reasonable protection against harmful interference in a residential installation. This equipment generates, uses, and can radiate radio frequency energy and, if not installed and used in accordance with the instructions, may cause harmful interference to radio communications. However, there is no guarantee that interference will not occur in a particular installation. If this equipment does cause harmful interference to radio or television reception, which can be determined by turning the equipment off and on, the user is encouraged to try to correct the interference by one or more of the following measures:

- Reorient or relocate the receiving antenna.
- Increase the separation between the equipment and receiver.
- Connect the equipment into an outlet on a circuit different from that to which the receiver is connected.
- Consult the dealer or an experienced radio/TV technician for help.

FCC Caution:

This device complies with Part 15 of the FCC Rules. Operation is subject to the following two conditions: (1) This device may not cause harmful interference, and (2) this device must accept any interference received, including interference that may cause undesired operation.

Non-modification Statement:

Changes or modifications not expressly approved by the party responsible for compliance could void the user's authority to operate the equipment.

FCC Radiation Exposure Statement:

This equipment complies with FCC radiation exposure limits set forth for an uncontrolled environment. This equipment should be installed and operated with minimum distance 20cm between the radiator & your body.

Operations in 5150-5250 MHz band is for indoor use only.

This device complies with Industry Canada licence-exempt RSS standard(s).

Operation is subject to the following two conditions:

- (1) This device may not cause interference, and
- (2) This device must accept any interference, including interference that may cause undesired operation of the device.

Le présent appareil est conforme aux CNR d'Industrie Canada applicables aux appareils radio exempts de licence.

L'exploitation est autorisée aux deux conditions suivantes:

- (1) l'appareil ne doit pas produire de brouillage, et
- (2) l'utilisateur de l'appareil doit accepter tout brouillage radioélectrique subi, même si le brouillage est susceptible d'en compromettre le fonctionnement.

This Class B digital apparatus complies with Canadian ICES-003.

Cet appareil numérique de la classe B est conforme à la norme NMB-003 du Canada.

IC Radiation Exposure Statement

This equipment complies with IC RSS-102 radiation exposure limit set forth for an uncontrolled environment. This equipment should be installed and operated with minimum distance 20cm between the radiator and your body.

Déclaration d'exposition à la radiation : Cet équipement respecte les limites d'exposition aux rayonnements IC définies pour un environnement non contrôlé. Cet équipement doit être installé et mis en marche à une distance minimale de 20 cm qui sépare l'élément rayonnant de votre corps. L'émetteur ne doit ni être utilisé avec une autre antenne ou un autre émetteur ni se trouver à leur proximité.

Operations in 5150-5250 MHz band is for indoor use only.